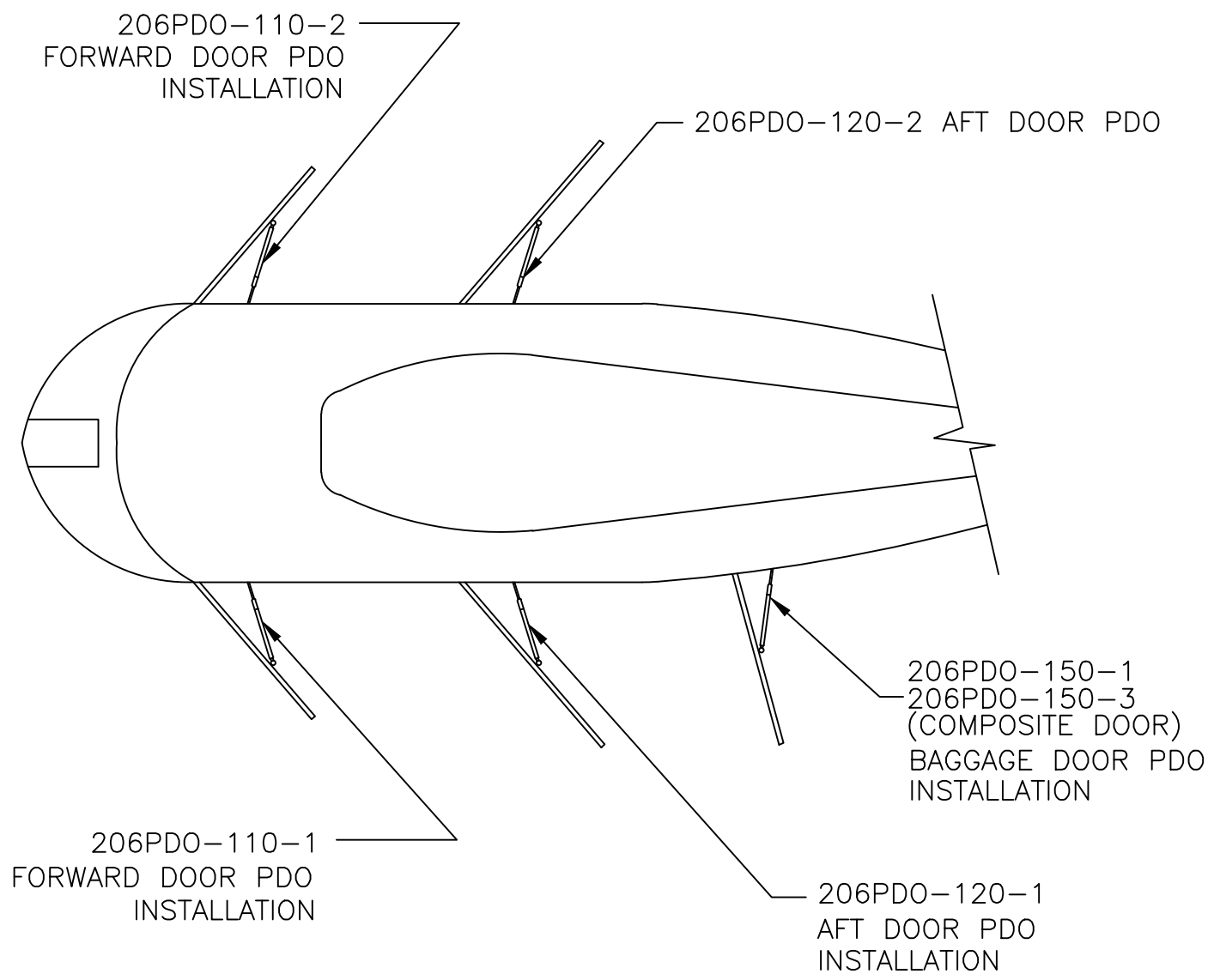
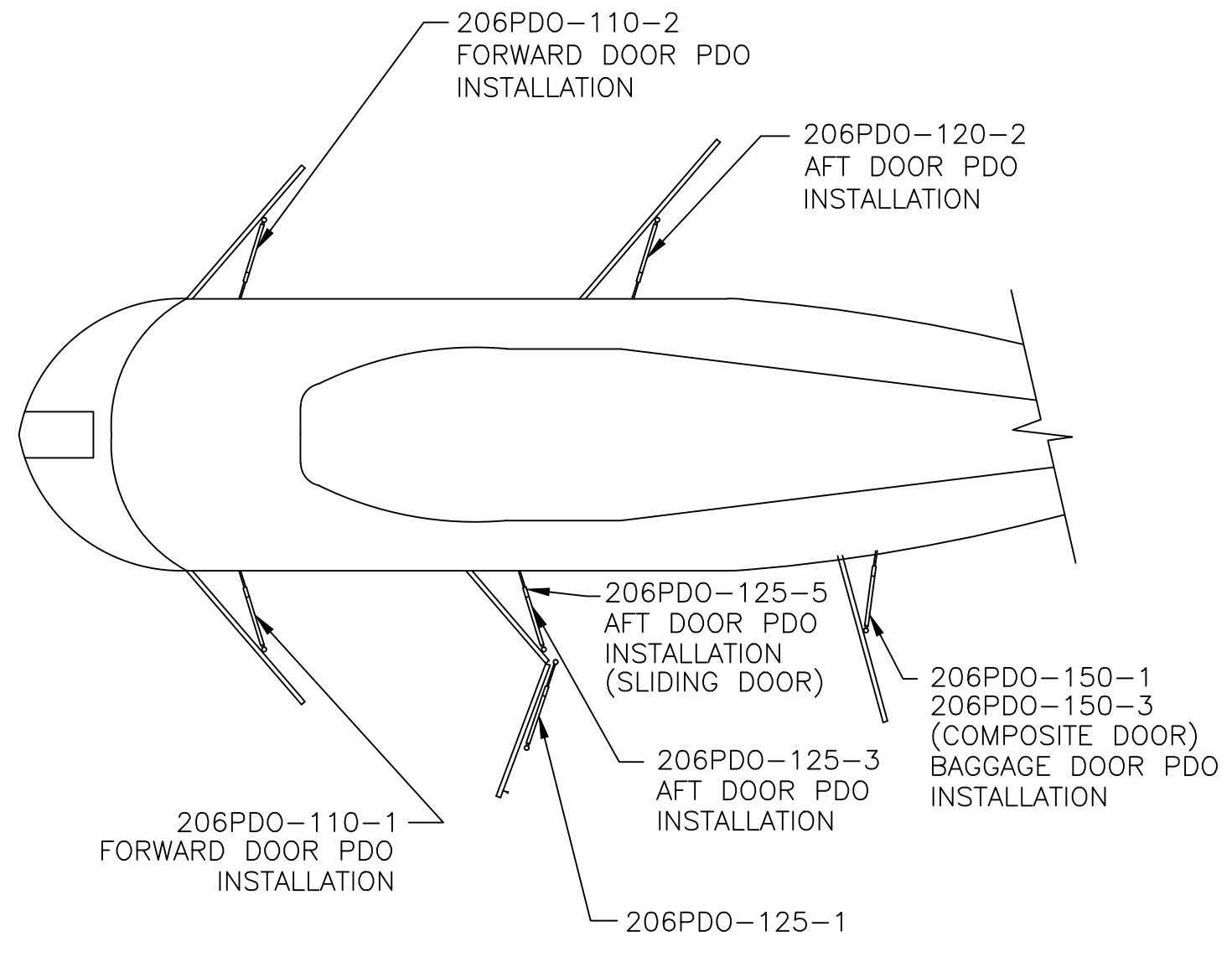


ECO	SHEET	REV	DATE	DESCRIPTION	APR	CHK



206A/B SERIES
VIEW FROM ABOVE



206L SERIES
VIEW FROM ABOVE

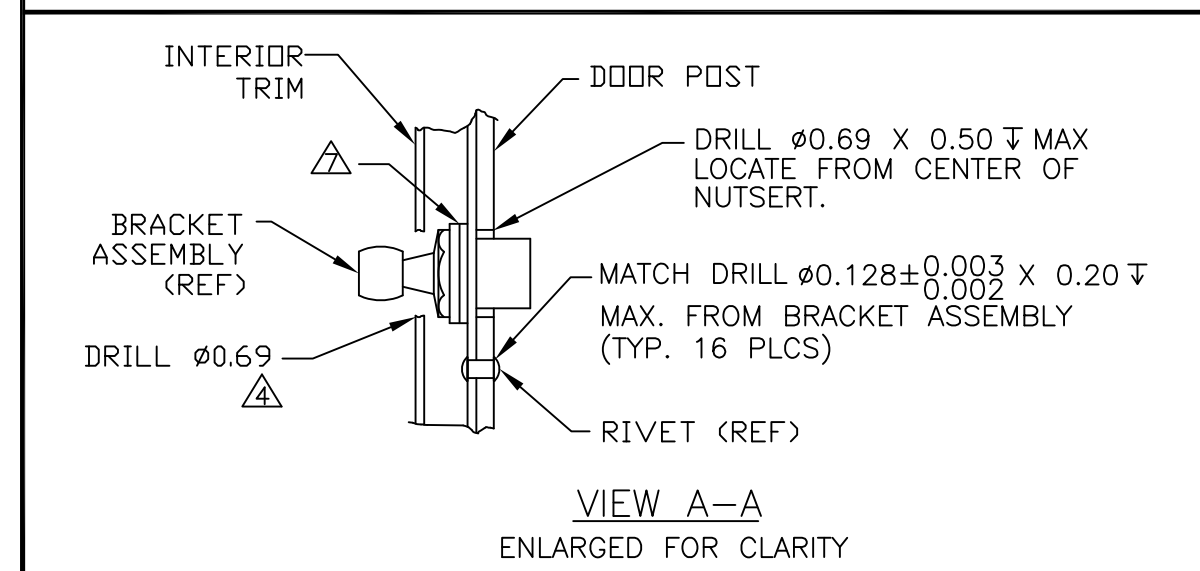
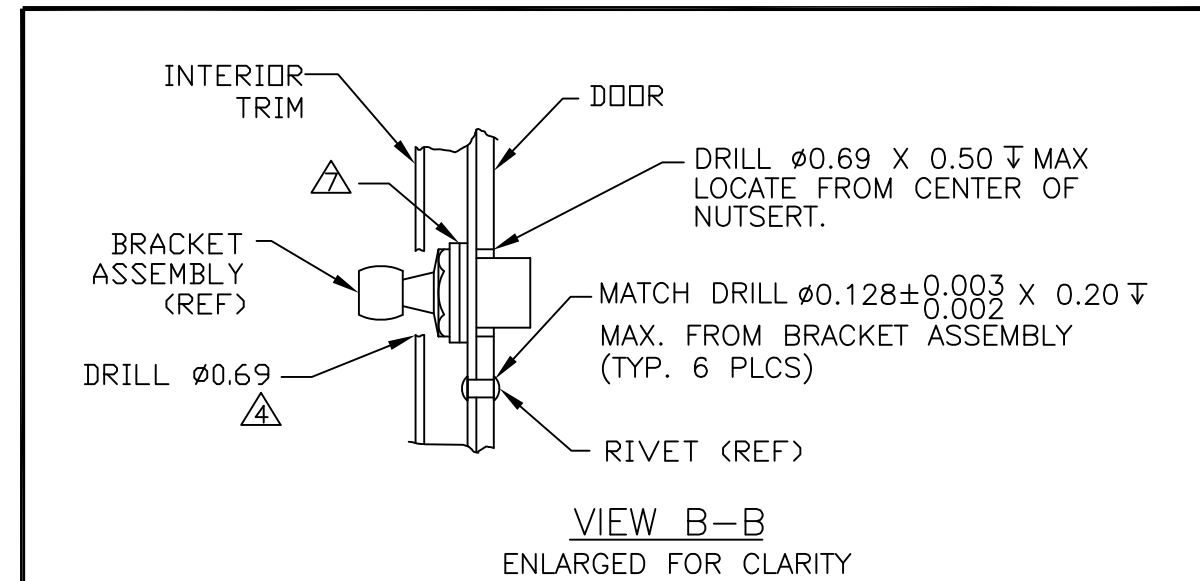
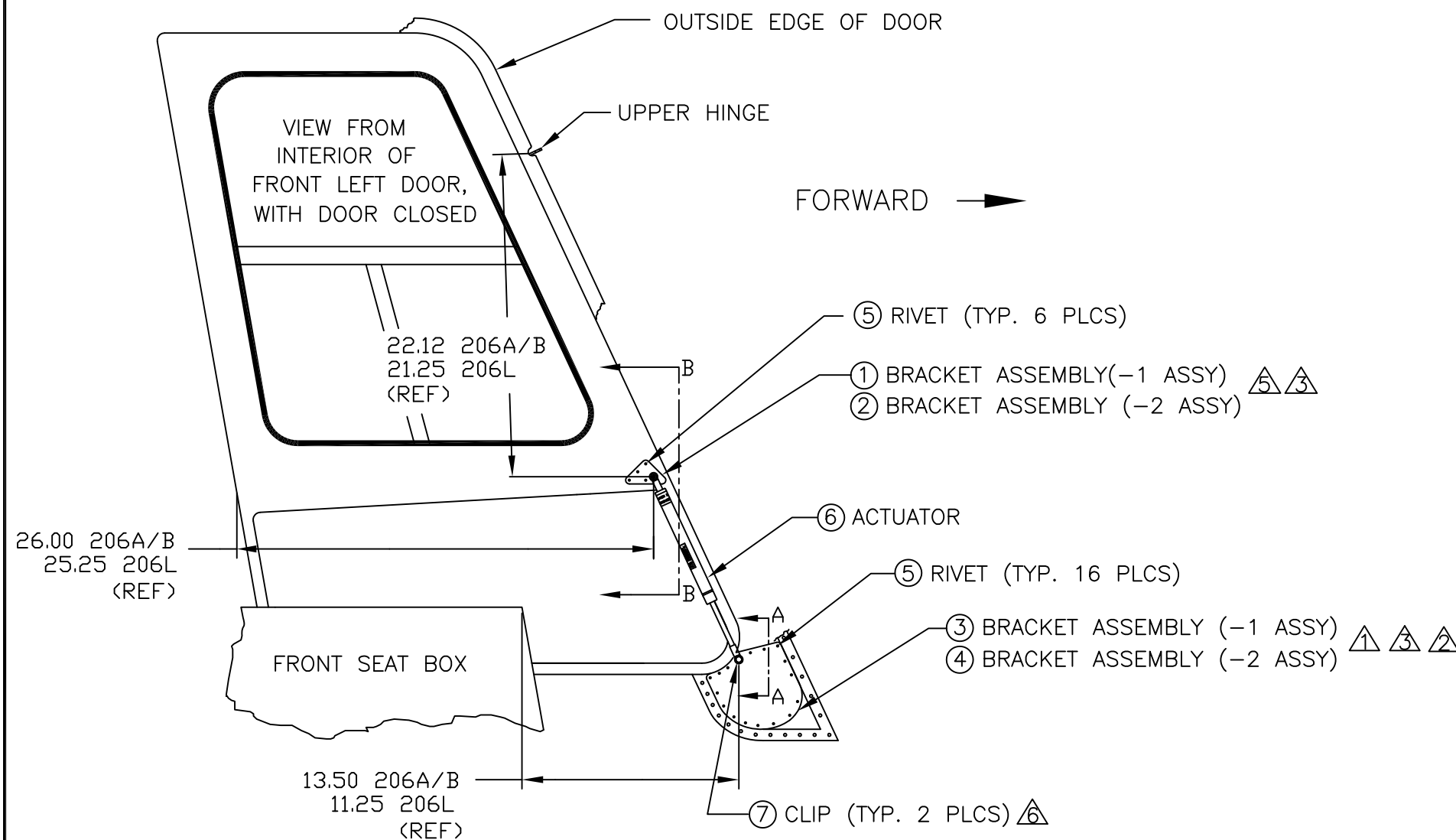
PROTO
N/C

Paravion® Inc. Technology		TITLE PNEUMATIC DOOR OPENER CONFIGURATION		DRAWING NO. 206PDO-100	
DIMENSIONS IN INCHES TOLERANCES EXCEPT WHERE NOTED: .X = ± .1 .XX = ± .05 .XXX = ± .010 ANGLES = ± 1°					
DRAWN BY KRG	APRVD. BY ECO	CHK'D BY	DATE 04/24/00	REV N/C	ECO
DO NOT SCALE DRAWING				SHEET 1 OF 1	
© 2000 PARAVION TECH., INC. PARAVION IS A TRADEMARK OF PARAVION TECHNOLOGY, INC.					

NOTES:

- ① FIT BRACKET ASSEMBLY TO FUSELAGE CONTOUR AS SHOWN.
- ② IF APPLICABLE, DRILL BRACKET ASSEMBLY $\phi 0.25$ FOR ANY PREVIOUSLY INSTALLED INSERTS. POSITION HOLE FROM CENTER OF INSERT.
- ③ SEAL ENTIRE FAYING SURFACE USING MIL-S-8802F CLASS B2 SEALANT OR EQUIVALENT.
- ④ DRILL INTERIOR TRIM FOR BALL STUD CLEARANCE. POSITION HOLE IN INTERIOR TRIM FROM CENTER OF BALL STUD.
- ⑤ TO LOCATE UPPER BRACKET ASSEMBLY SEE INSTALLATION INSTRUCTIONS.
- ⑥ AN381-1-12 COTTER PINS (ALT. MS24665-24, NASM24665-24) CAN BE USED IN PLACE OF THE CLIPS.
- ⑦ INSTALL ADDITIONAL WASHERS (NAS1149F0563P) AS REQUIRED TO PROVIDE INTERIOR CLEARANCE, MAXIMUM NUMBER OF WASHERS 3.

SHEET	REV	ECO	DATE	DESCRIPTION	BY	APR	CHK
1	A		09/28/2000	DIM 13.50(REF) WAS 12.75	MR		
1			05/29/2012	⑤ RIVET(16 PLCS) DID INDICATE ③, CORRECTED ADDED ALT. MS24665-24, NASM24665-24 TO NOTE 6	REB	REB	LS



INTERIOR TRIM AND PANELS REMOVED FOR CLARITY

- 1 INSTALLATION (SHOWN)
- 2 INSTALLATION (OPPOSITE)

PROTO
N/C

		TITLE			DRAWING NO.	
		FORWARD DOOR PDO INSTALLATION			206PDO-110	
DIMENSIONS IN INCHES						
TOLERANCES EXCEPT WHERE NOTED:						
.X	= ± .1					
.XX	= ± .05					
.XXX	= ± .010					
ANGLES = ± 1°						
DRAWN BY	APRVD. BY	CHK'D BY	DATE	REV	ECO	
KRG	MR	LS	04/25/00	A		
DO NOT SCALE DRAWING				SHEET		
© 2000 PARAVION TECH., INC. PARAVION IS A TRADEMARK OF PARAVION TECHNOLOGY, INC.				1 OF 1		

Bill of Materials

*206PDO-110-1, REV. A

ITEM #	P/N	DESCRIPTION	QTY	TYP
0	*206PDO-110-1, REV. A	FWD DOOR PDO INST'N	1	KIT
1	06DA-300-1	BRACKET ASSEMBLY	1	EA.
3	06DA-301-1	BRACKET ASSEMBLY	1	EA.
5	1624-0411	RIVET	22	EA.
6	ES39200-8	ACTUATOR (ALT: ES39200-1)	1	EA.
7	ES39202-1	CLIP	2	EA.

Bill of Materials

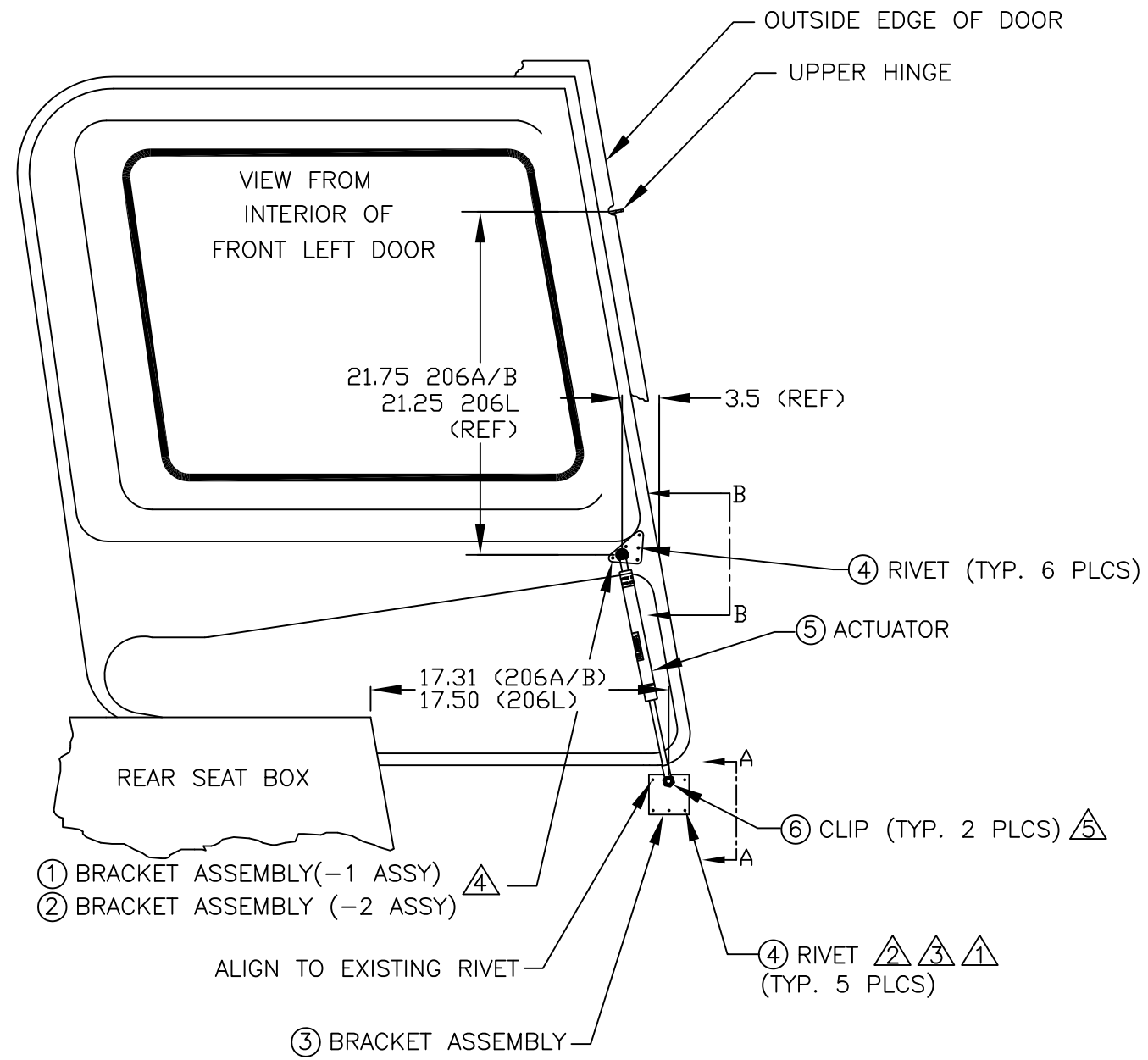
*206PDO-110-2, REV. A

ITEM #	P/N	DESCRIPTION	QTY	TYP
0	*206PDO-110-2, REV. A	FWD DOOR PDO INST'N	1	KIT
2	06DA-300-2	BRACKET ASSEMBLY	1	EA.
4	06DA-301-2	BRACKET ASSEMBLY	1	EA.
5	1624-0411	RIVET	22	EA.
6	ES39200-8	ACTUATOR (ALT: ES39200-1)	1	EA.
7	ES39202-1	CLIP	2	EA.

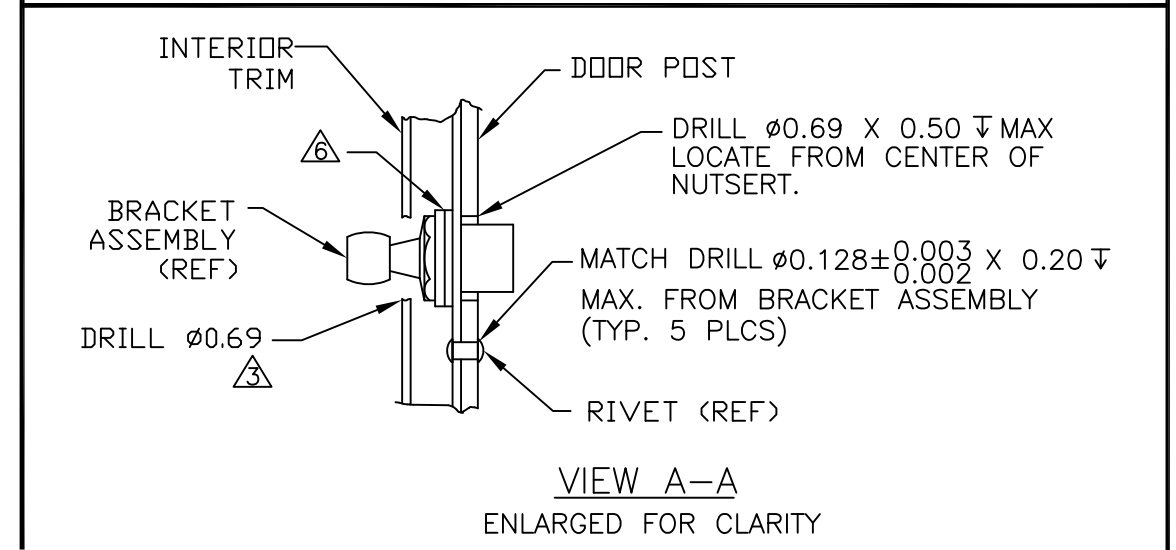
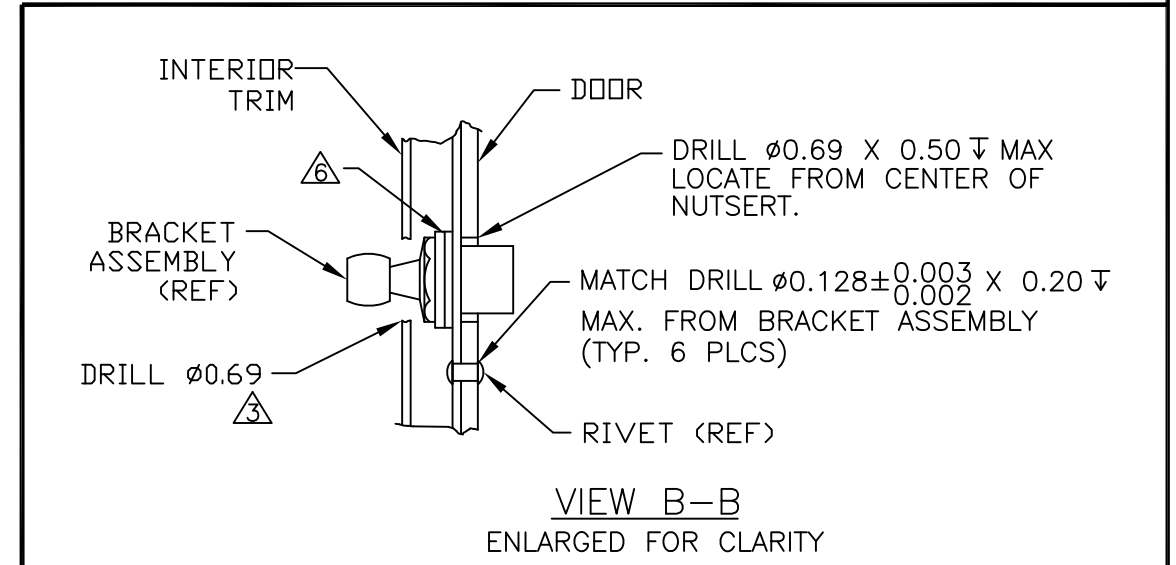
NOTES:

- ① IF APPLICABLE, DRILL BRACKET ASSEMBLY $\phi 0.25$ FOR ANY PREVIOUSLY INSTALLED INSERTS. POSITION HOLE FROM CENTER OF INSERT.
- ② SEAL ENTIRE FAYING SURFACE USING MIL-S-8802F CLASS B2 SEALANT OR EQUIVALENT.
- ③ DRILL INTERIOR TRIM FOR BALL STUD CLEARANCE. POSITION HOLE IN INTERIOR TRIM FROM CENTER OF BALL STUD.
- ④ TO LOCATE UPPER BRACKET ASSEMBLY SEE INSTALLATION INSTRUCTIONS.
- ⑤ AN381-1-12 COTTER PINS (ALT. MS24665-24, NASM24665-24) CAN BE USED IN PLACE OF THE CLIPS.
- ⑥ INSTALL ADDITIONAL WASHERS (NAS1149F0563P) AS REQUIRED TO PROVIDE INTERIOR CLEARANCE, MAXIMUM NUMBER OF WASHERS 3.

ECO	SHEET	REV	DATE	DESCRIPTION	BY	APR	CHK
	1	A	09/15/2000 12/07/2012	CORRECTED ITEM NO. ERROR ADDED ALT. MS24665-24, NASM24665-24 TO NOTE 5	MR REB		
						REB	LS



-1 INSTALLATION (SHOWN)
-2 INSTALLATION (OPPOSITE)



		TITLE		DRAWING NO.	
		AFT DOOR PDO INSTALLATION		206PDO-120	
DIMENSIONS IN INCHES					
TOLERANCES EXCEPT WHERE NOTED:					
.X	= $\pm .1$				
.XX	= $\pm .05$				
.XXX	= $\pm .010$				
ANGLES = $\pm 1^\circ$					
PROTO	N/C		DO NOT SCALE DRAWING		SHEET
			DRAWN BY: KRG APRVD. BY: MR CHK'D BY: LS DATE: 04/25/00 ECO: ECO DATE: 09/15/00	REV: A	ECO:
			© 2000 PARAVION TECH., INC. PARAVION IS A TRADEMARK OF PARAVION TECHNOLOGY, INC.		1 OF 1

Bill of Materials

*206PDO-120-1, REV. A

ITEM #	P/N	DESCRIPTION	QTY	TYP
0	*206PDO-120-1, REV. A	AFT DOOR PDO INST'N	1	KIT
1	06DA-300-1	BRACKET ASSEMBLY	1	EA.
3	06DA-302-1	BRACKET ASSEMBLY, REAR	1	EA.
4	1624-0411	RIVET	11	EA.
5	ES39200-8	ACTUATOR (ALT: ES39200-1)	1	EA.
6	ES39202-1	CLIP	2	EA.

Bill of Materials

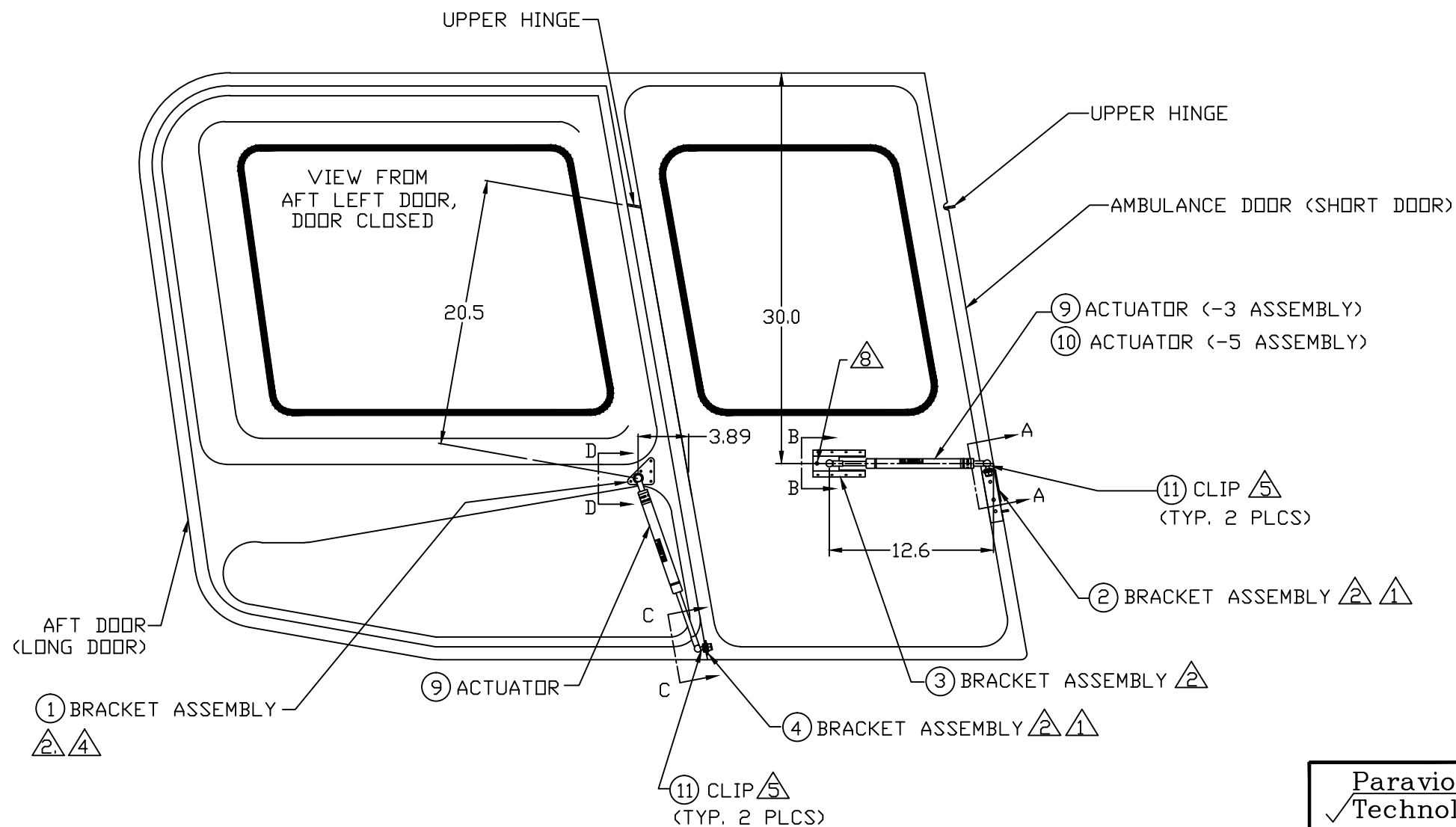
*206PDO-120-2, REV. A

ITEM #	P/N	DESCRIPTION	QTY	TYP
0	*206PDO-120-2, REV. A	AFT DOOR PDO INST'N	1	KIT
2	06DA-300-2	BRACKET ASSEMBLY	1	EA.
3	06DA-302-1	BRACKET ASSEMBLY, REAR	1	EA.
4	1624-0411	RIVET	11	EA.
5	ES39200-8	ACTUATOR (ALT: ES39200-1)	1	EA.
6	ES39202-1	CLIP	2	EA.

NOTES:

- ⚠ IF APPLICABLE, DRILL BRACKET ASSEMBLY $\varnothing 0.25$ FOR ANY PREVIOUSLY INSTALLED INSERTS. POSITION HOLE FROM CENTER OF INSERT.
- ⚠ SEAL ENTIRE FAYING SURFACE USING MIL-S-8802F CLASS B2 SEALANT OR EQUIVALENT.
- ⚠ DRILL INTERIOR TRIM FOR BALL STUD CLEARANCE. POSITION HOLE IN INTERIOR TRIM FROM CENTER OF BALL STUD.
- ⚠ TO LOCATE UPPER BRACKET ASSEMBLY SEE INSTALLATION INSTRUCTIONS.
- ⚠ AN381-1-12 COTTER PINS CAN BE USED IN PLACE OF THE CLIPS.
- ⚠ INSTALL ADDITIONAL WASHERS (NAS1149F0563P) AS REQUIRED TO PROVIDE INTERIOR CLEARANCE, MAXIMUM NUMBER OF WASHERS 3.
- ⚠ OPTIONAL RIVETS, NAS1739MW-S. ENLARGE HOLES TO $\varnothing 0.173$ COUNTER SINK 100° X $\varnothing 0.285$
- ⚠ DRILL INTERIOR TRIM $\varnothing 0.158$. POSITION HOLE FROM CENTER OF NUTSERT.

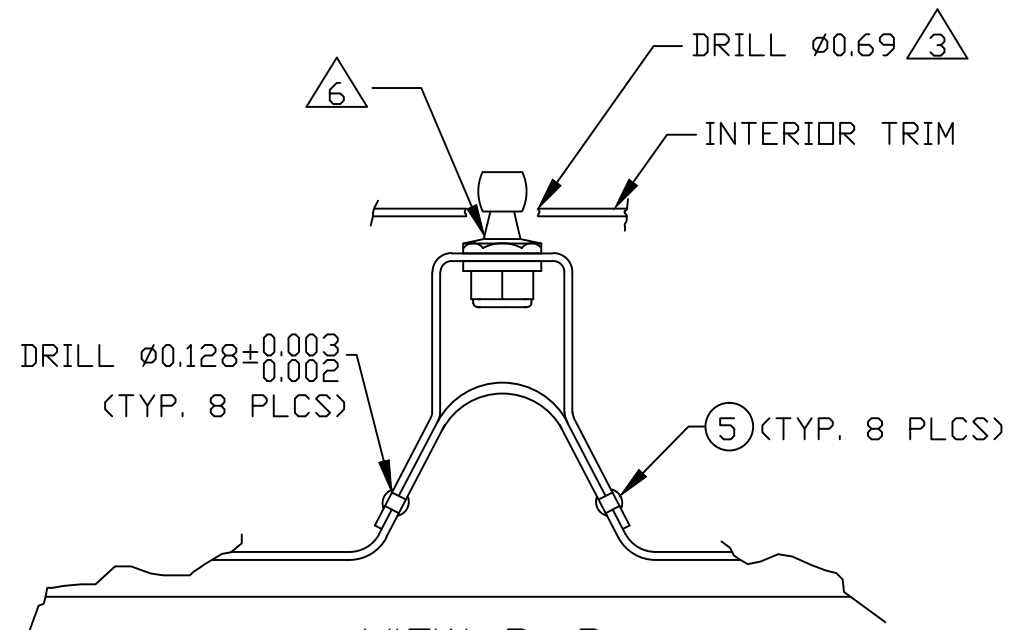
ECO	SHEET	REV	DATE	DESCRIPTION	APR	CHK



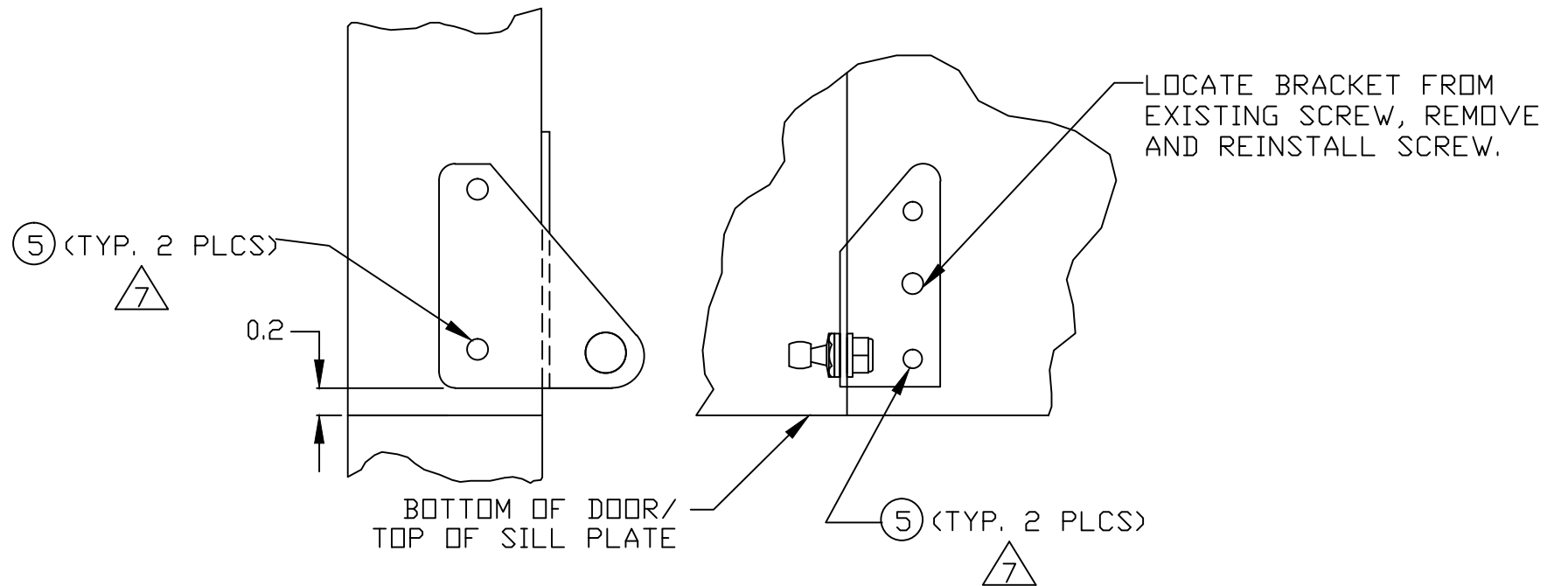
-1 INSTALLATION (LONG DOOR)
 -3 INSTALLATION (AMBULANCE DOOR, SHORT DOOR)
 -5 INSTALLATION (SHORT DOOR WITH SLIDING DOOR)
 (ALL INSTALLATIONS SHOWN)

Paravion® Inc. Technology		TITLE		DRAWING NO.	
		AMB DOOR PDO INSTALLATION		206PDO-125	
DIMENSIONS IN INCHES		DRAWN BY	APRVD. BY	CHK'D BY	DATE
TOLERANCES EXCEPT WHERE NOTED:		KRG			04/28/00
.X = ± .1		ECO			
.XX = ± .05		DO NOT SCALE DRAWING			REV
.XXX = ± .010					N/C
ANGLES = ± 1°					ECO
		© 2000 PARAVION TECH., INC. PARAVION IS A TRADEMARK OF PARAVION TECHNOLOGY, INC.			SHEET
					1 OF 2

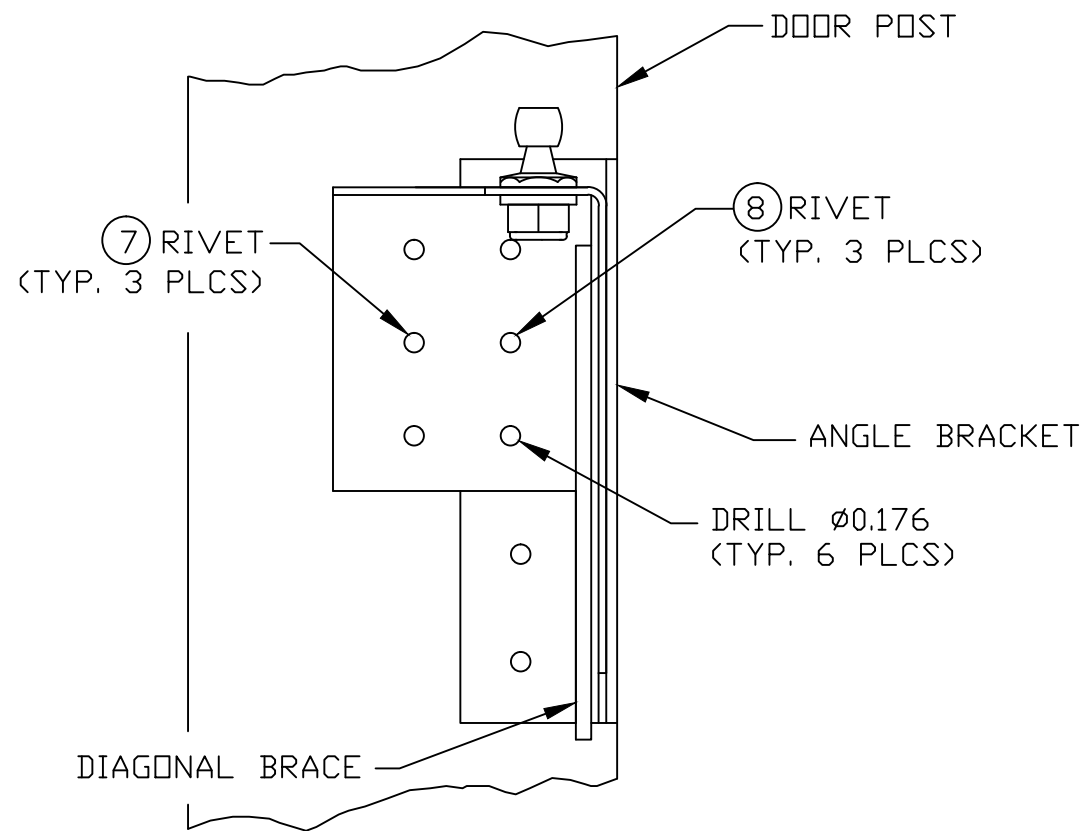
PROTO
 N/C



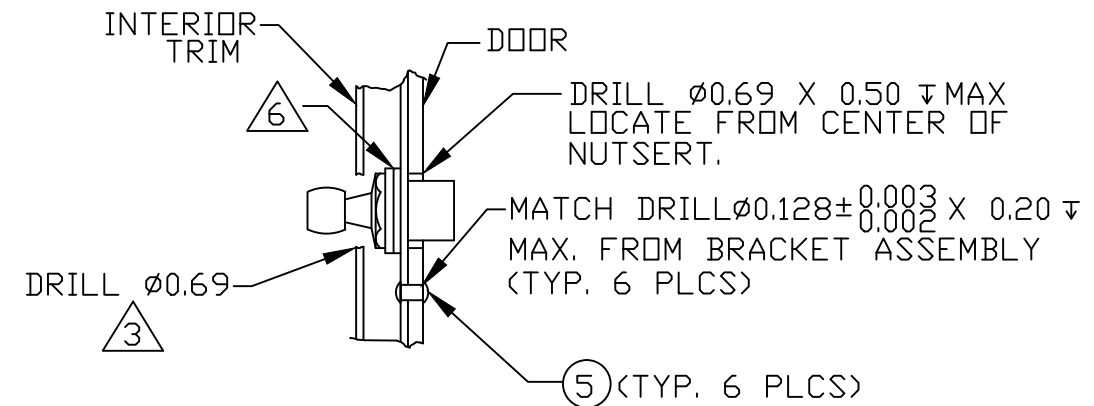
VIEW B-B
(-3/-5 INSTALLATION)
ENLARGED FOR CLARITY



VIEW C-C
(-1 INSTALLATION)
ENLARGED FOR CLARITY



VIEW A-A
(-3/-5 INSTALLATION)
ENLARGED FOR CLARITY



VIEW D-D
(-1 INSTALLATION)
ENLARGED FOR CLARITY

Paravion® Inc. Technology		TITLE		DRAWING NO.		
		AMB DOOR PDO INSTALLATION		206PDO-125		
DIMENSIONS IN INCHES						
TOLERANCES EXCEPT WHERE NOTED:						
DRAWN BY		APRVD. BY	CHK'D BY	DATE	REV	ECO
KRG				04/28/00	N/C	
ECO		DO NOT SCALE DRAWING			SHEET	
© 2000 PARAVION TECH., INC. PARAVION IS A TRADEMARK OF PARAVION TECHNOLOGY, INC.					2 OF 2	

PROTO
N/C

.X = ± .1
.XX = ± .05
.XXX = ± .010
ANGLES = ± 1°

Bill of Materials

*206PDO-125-1, REV. N/C

ITEM #	P/N	DESCRIPTION	QTY	TYP
0	*206PDO-125-1, REV. N/C	AFT AMB DOOR PDO INST'N	1	KIT
1	06DA-300-1	BRACKET ASSEMBLY	1	EA.
4	06DA-306-1	BRACKET ASSEMBLY, AMB DOOR SILL	1	EA.
5	1624-0411	RIVET	11	EA.
6	1624-0514	RIVET	4	EA.
9	ES39200-8	ACTUATOR (ALT: ES39200-1)	1	EA.
11	ES39202-1	CLIP	2	EA.

Bill of Materials

*206PDO-125-3, REV. N/C

ITEM #	P/N	DESCRIPTION	QTY	TYP
0	*206PDO-125-3, REV. N/C	AFT AMB DOOR PDO INST'N	1	KIT
2	06DA-304-1	BRACKET ASSEMBLY, AMB DOOR SILL	1	EA.
3	06DA-305-1	BRACKET ASSEMBLY, AMB DOOR	1	EA.
5	1624-0411	RIVET	11	EA.
7	CR3243-5-4	RIVET	3	EA.
8	CR3243-5-5	RIVET	3	EA.
9	ES39200-8	ACTUATOR (ALT: ES39200-1)	1	EA.
11	ES39202-1	CLIP	2	EA.

Bill of Materials

*206PDO-125-5, REV. N/C

ITEM #	P/N	DESCRIPTION	QTY	TYP
0	*206PDO-125-5, REV. N/C	AFT AMB DOOR PDO INST'N	1	KIT
2	06DA-304-1	BRACKET ASSEMBLY, AMB DOOR SILL	1	EA.
3	06DA-305-1	BRACKET ASSEMBLY, AMB DOOR	1	EA.
5	1624-0411	RIVET	11	EA.
7	CR3243-5-4	RIVET	3	EA.
8	CR3243-5-5	RIVET	3	EA.
10	ES39200-3	ACTUATOR	1	EA.
11	ES39202-1	CLIP	2	EA.

Bill of Materials

*206PDO-125-1, REV. N/C

ITEM #	P/N	DESCRIPTION	QTY	TYP
0	*206PDO-125-1, REV. N/C	AFT AMB DOOR PDO INST'N	1	KIT
1	06DA-300-1	BRACKET ASSEMBLY	1	EA.
4	06DA-306-1	BRACKET ASSEMBLY, AMB DOOR SILL	1	EA.
5	1624-0411	RIVET	11	EA.
6	1624-0514	RIVET	4	EA.
9	ES39200-8	ACTUATOR (ALT: ES39200-1)	1	EA.
11	ES39202-1	CLIP	2	EA.

Bill of Materials

*206PDO-125-3, REV. N/C

ITEM #	P/N	DESCRIPTION	QTY	TYP
0	*206PDO-125-3, REV. N/C	AFT AMB DOOR PDO INST'N	1	KIT
2	06DA-304-1	BRACKET ASSEMBLY, AMB DOOR SILL	1	EA.
3	06DA-305-1	BRACKET ASSEMBLY, AMB DOOR	1	EA.
5	1624-0411	RIVET	11	EA.
7	CR3243-5-4	RIVET	3	EA.
8	CR3243-5-5	RIVET	3	EA.
9	ES39200-8	ACTUATOR (ALT: ES39200-1)	1	EA.
11	ES39202-1	CLIP	2	EA.

Bill of Materials

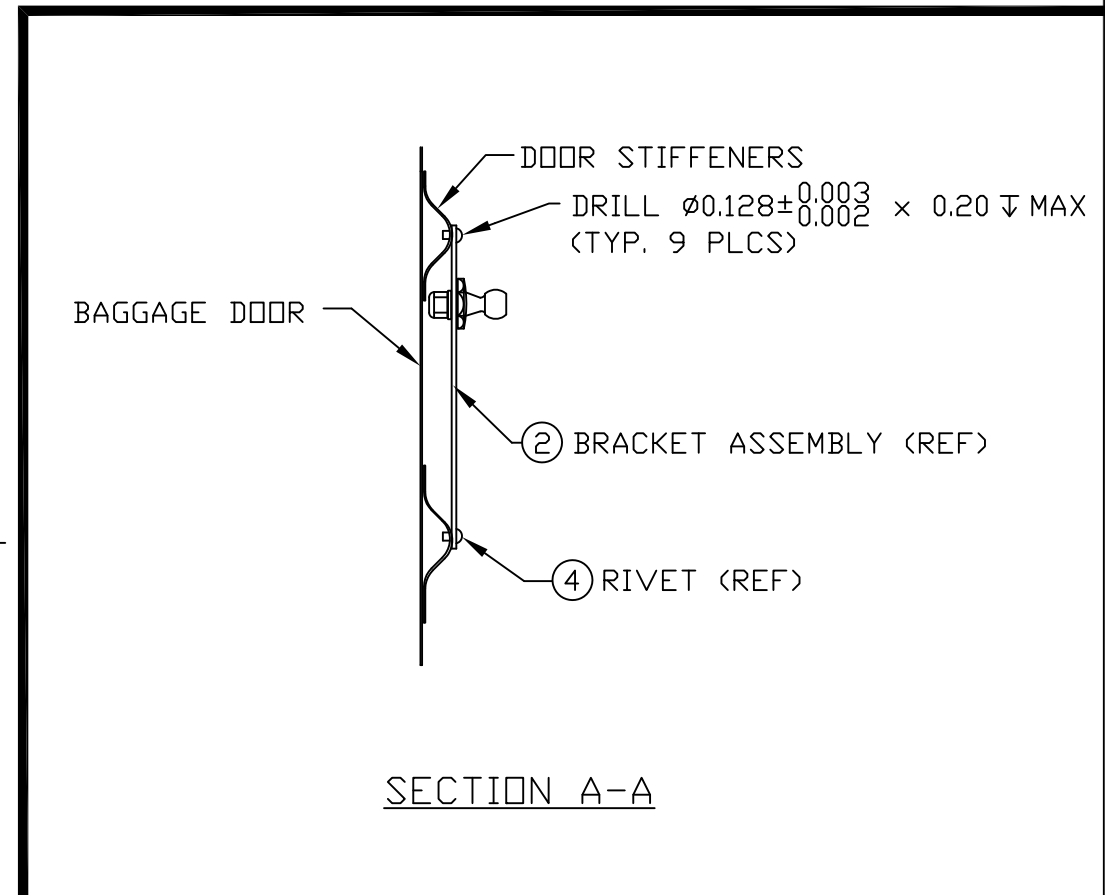
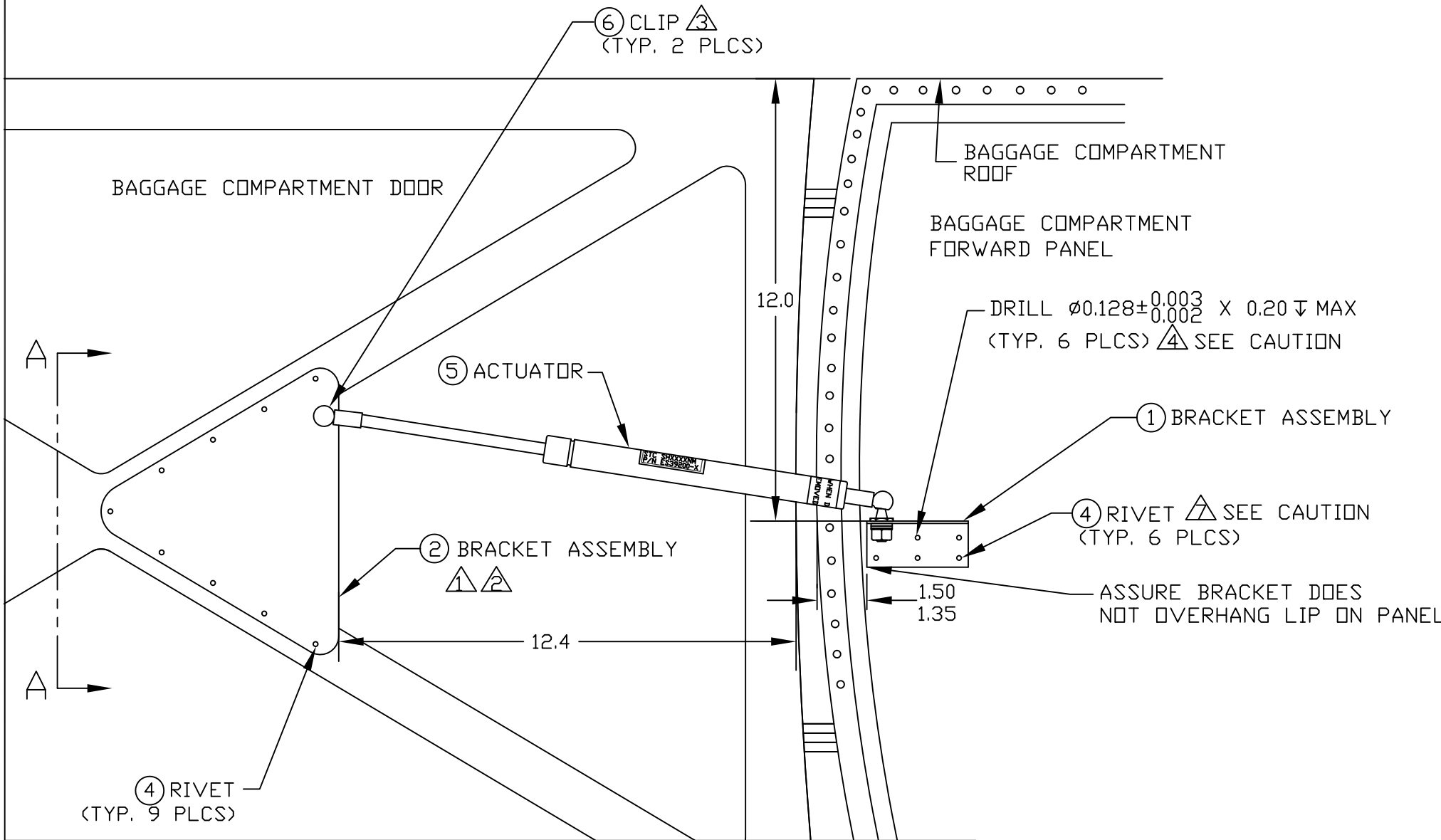
*206PDO-125-5, REV. N/C

ITEM #	P/N	DESCRIPTION	QTY	TYP
0	*206PDO-125-5, REV. N/C	AFT AMB DOOR PDO INST'N	1	KIT
2	06DA-304-1	BRACKET ASSEMBLY, AMB DOOR SILL	1	EA.
3	06DA-305-1	BRACKET ASSEMBLY, AMB DOOR	1	EA.
5	1624-0411	RIVET	11	EA.
7	CR3243-5-4	RIVET	3	EA.
8	CR3243-5-5	RIVET	3	EA.
10	ES39200-3	ACTUATOR	1	EA.
11	ES39202-1	CLIP	2	EA.

NOTES:

- ⚠ SEAL ENTIRE FAYING SURFACE USING MIL-S-8802F CLASS B2 SEALANT OR EQUIVALENT.
- ⚠ TO LOCATE BRACKET ASSEMBLY SEE INSTALLATION INSTRUCTIONS.
- ⚠ AN381-1-12 COTTER PINS (ALT. MS24665-24, NASM24665-24) CAN BE USED IN PLACE OF THE CLIPS.
- ⚠ **** CAUTION **** USE DRILL STOP TO PREVENT DRILLING DEEPER THAN 0.20 INCH (FUEL CELL IS LOCATED FORWARD OF THIS PANEL).
- ⚠ **** CAUTION **** A DRILL STOP SHOULD BE USED TO PREVENT DRILLING THROUGH THE EXTERIOR FACESHEET.

ECO	SHEET	REV	DATE	DESCRIPTION	BY	APR	CHK
	1,2	A	07/21/2000	ADDED NOTE 5	MR		
			12/07/2012	SHT 2, SECT. A-A :0.190↓ MAX WAS 0.5 SHT 2, SECT. B-B WAS SECT. A-A ADDED ALT. MS24665-24, NASM24665-24 IN NOTE 3	REB	REB	LS

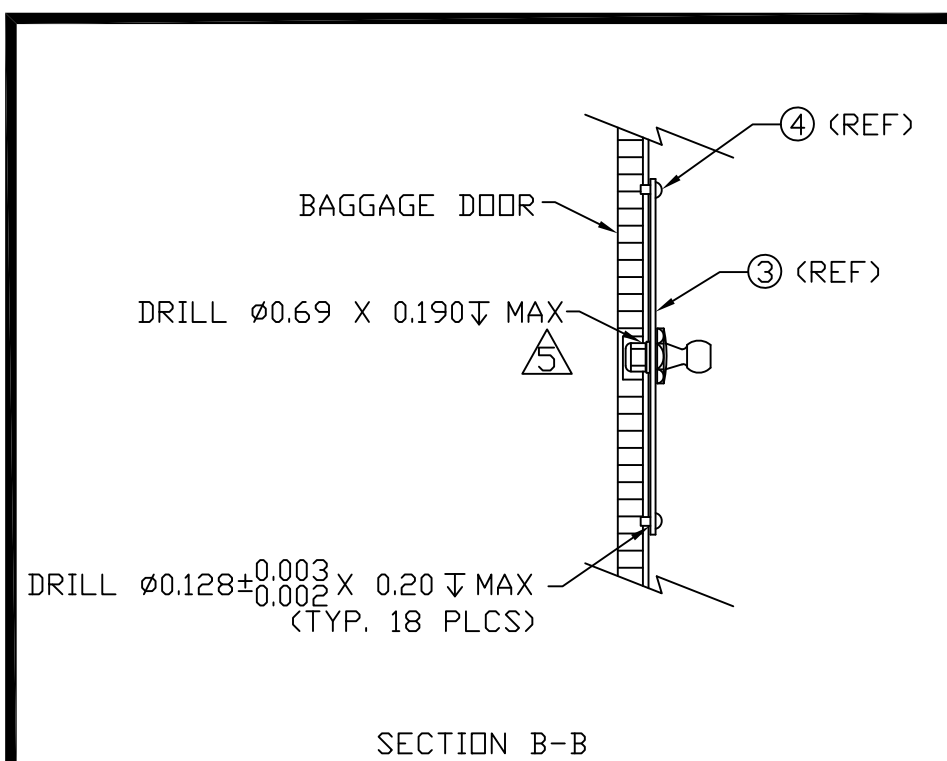
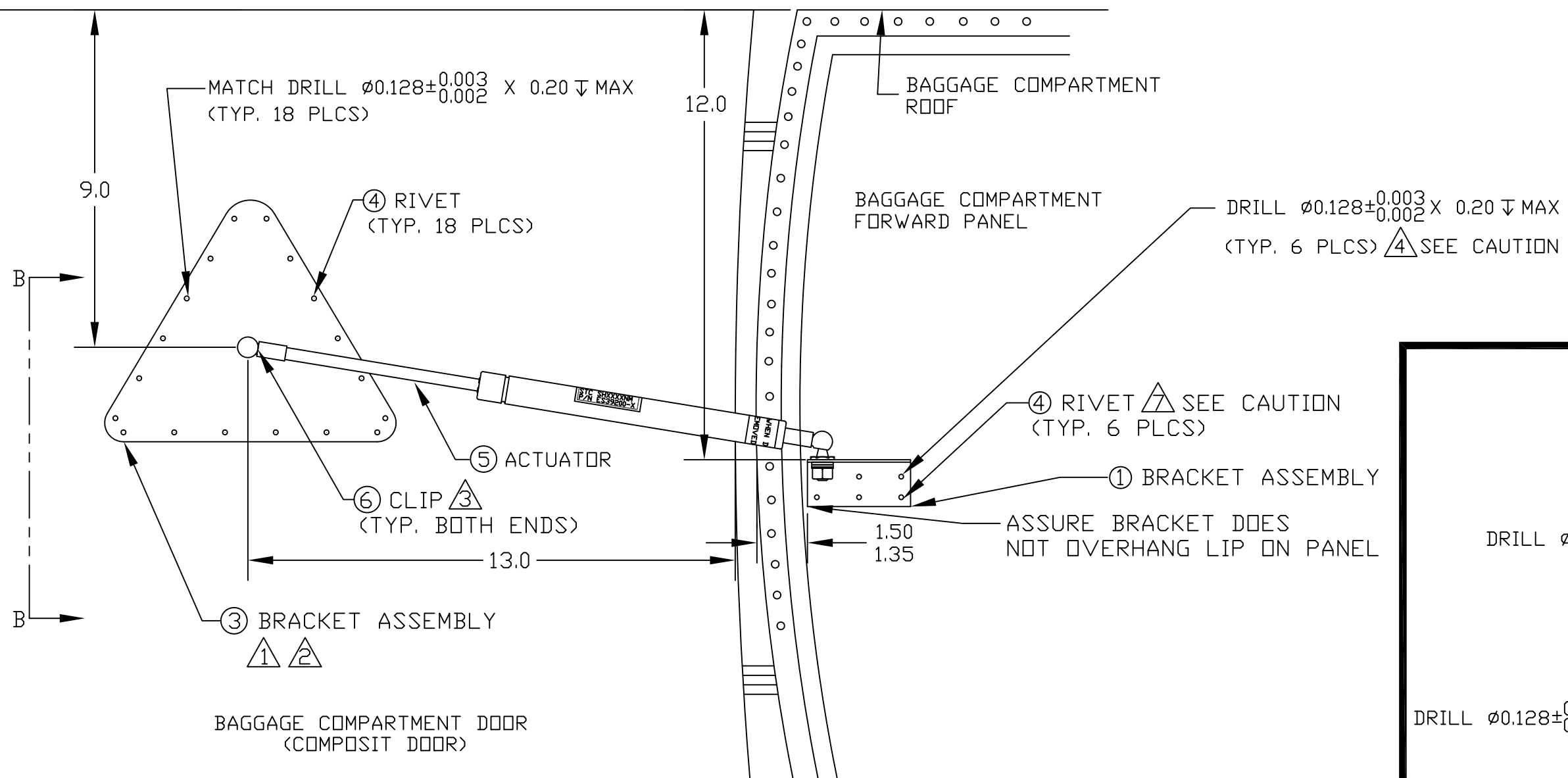


-1 INSTALLATION
(VIEW LOOKING FORWARD AT BAGGAGE COMPARTMENT)

-CONFIDENTIAL INFORMATION-
THE INFORMATION AND DATA CONTAINED HEREIN IS PROPRIETARY AND IS SUBMITTED IN CONFIDENCE; AND SHALL NOT BE DISCLOSED, USED OR DUPLICATED FOR ANY PURPOSE WHATSOEVER WITHOUT THE PRIOR WRITTEN PERMISSION OF PARAVION TECHNOLOGY, INC.

PROTO
N/C

Paravion® Inc. Technology		TITLE BAGGAGE DOOR PDO INSTALLATION		DRAWING NO. 206PDO-150	
DIMENSIONS IN INCHES					
TOLERANCES EXCEPT WHERE NOTED:					
.X = ± .1		.XX = ± .05		.XXX = ± .010	
ANGLES = ± 1°					
DRAWN BY	APRVD. BY	CHK'D BY	DATE	REV	ECO
KRG	MR	LS	04/28/00	A	
ECO			07/21/00		
DO NOT SCALE DRAWING					SHEET
© 2000 PARAVION TECH., INC. PARAVION IS A TRADEMARK OF PARAVION TECHNOLOGY, INC.					1 OF 2



-3 INSTALLATION
 (VIEW LOOKING FORWARD AT BAGGAGE COMPARTMENT)

-CONFIDENTIAL INFORMATION-
 THE INFORMATION AND DATA CONTAINED HEREIN
 IS PROPRIETARY AND IS SUBMITTED IN CONFIDENCE;
 AND SHALL NOT BE DISCLOSED, USED OR DUPLICATED
 FOR ANY PURPOSE WHATSOEVER WITHOUT THE PRIOR
 WRITTEN PERMISSION OF PARAVION TECHNOLOGY, INC.

PROTO
 N/C

		TITLE BAGGAGE DOOR PDO INSTALLATION		DRAWING NO. 206PDO-150	
DIMENSIONS IN INCHES TOLERANCES EXCEPT WHERE NOTED: .X = ± .1 .XX = ± .05 .XXX = ± .010 ANGLES = ± 1°					
DRAWN BY KRG ECO	APRVD. BY MR	CHK'D BY LS	DATE 04/28/00 07/21/00	REV A	ECO
DO NOT SCALE DRAWING				SHEET 2 OF 2	
© 2000 PARAVION TECH., INC. PARAVION IS A TRADEMARK OF PARAVION TECHNOLOGY, INC.					

Bill of Materials

*206PDO-150-1, REV. A

ITEM #	P/N	DESCRIPTION	QTY	TYP
0	*206PDO-150-1, REV. A	BAGGAGE DOOR PDO INST'N	1	KIT
1	06DA-300-7	BRACKET ASSEMBLY	1	EA.
2	06DA-303-3	BRACKET ASSEMBLY	1	EA.
4	1624-0411	RIVET	24	EA.
5	ES39200-3	ACTUATOR	1	EA.
6	ES39202-1	CLIP	2	EA.

Bill of Materials

*206PDO-150-3, REV. A

ITEM #	P/N	DESCRIPTION	QTY	TYP
0	*206PDO-150-3, REV. A	COMPOSITE BAGGAGE DOOR PDO INST'N	1	KIT
1	06DA-300-7	BRACKET ASSEMBLY	1	EA.
3	407PDO-2510-1	BRACKET ASSEMBLY	1	EA.
4	1624-0411	RIVET	24	EA.
5	ES39200-3	ACTUATOR	1	EA.
6	ES39202-1	CLIP	2	EA.