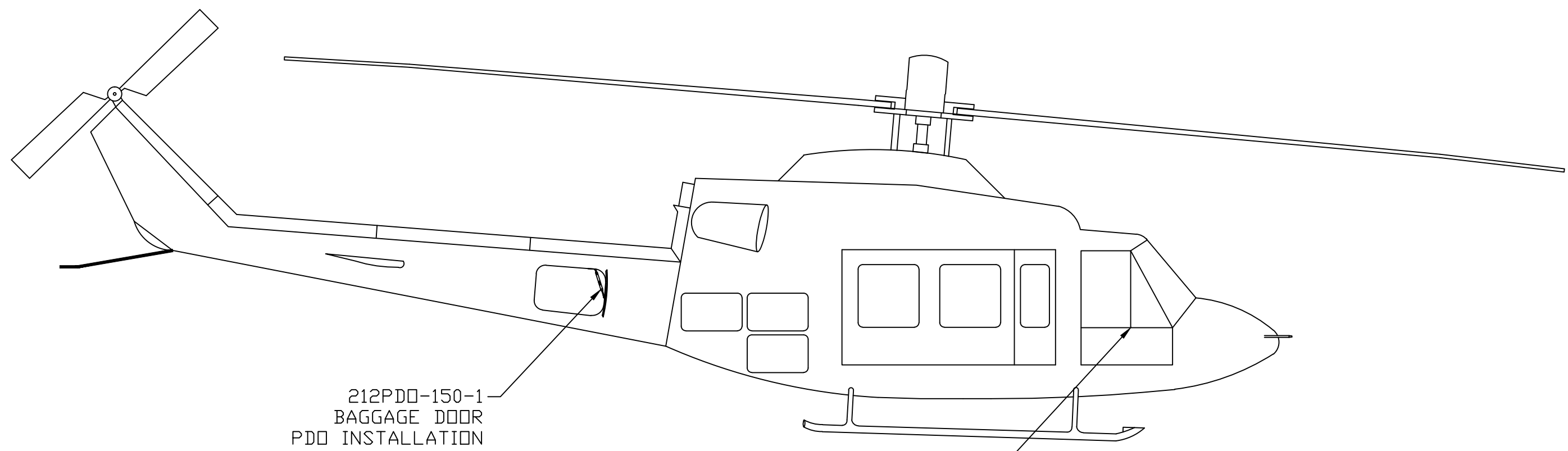


ECO	SHEET	REV	DATE	DESCRIPTION	APR	CHK



212PDO-150-1
BAGGAGE DOOR
PDO INSTALLATION

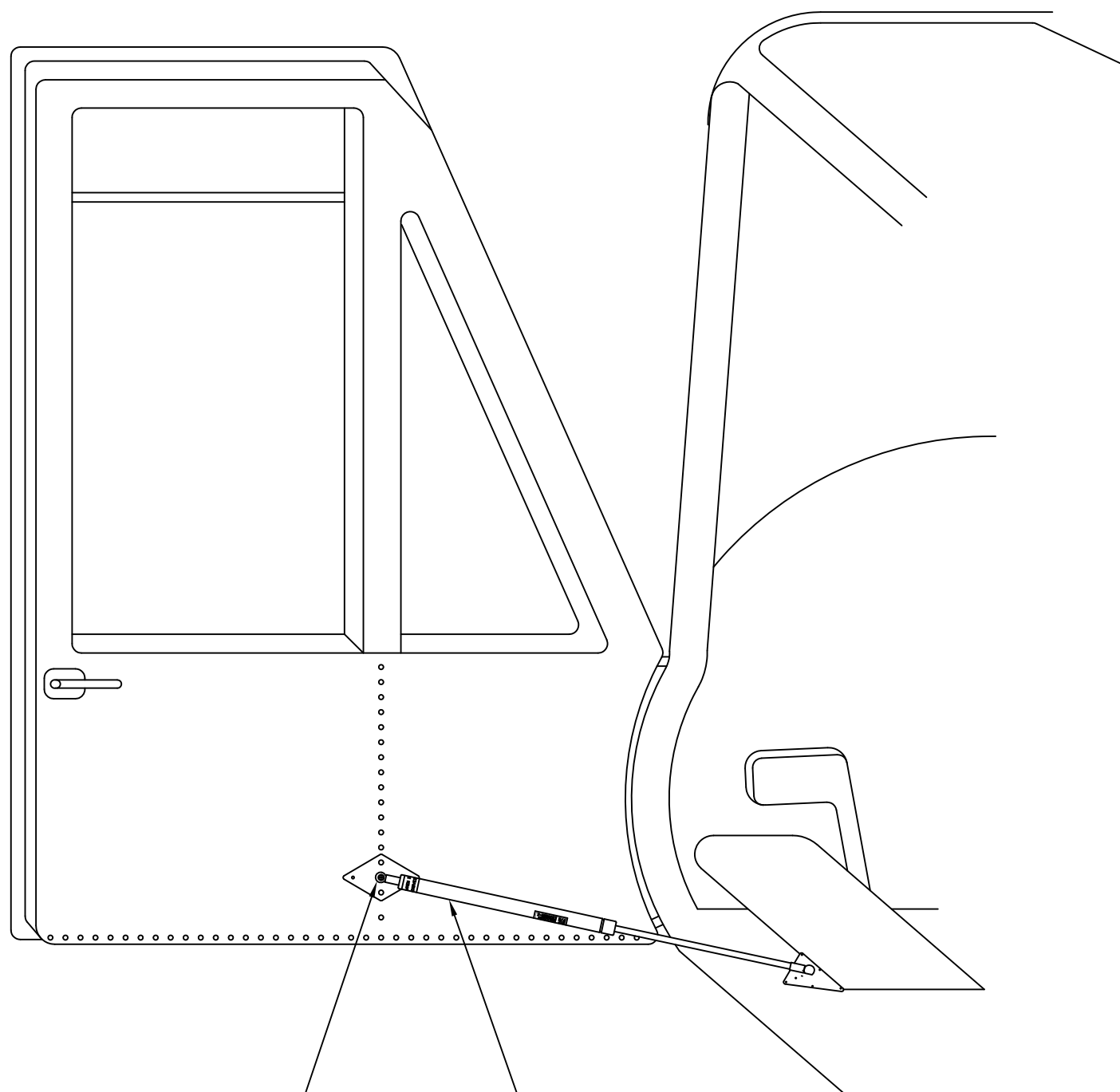
212PDO-110-2 (SHOWN)
212PDO-110-1 (LEFT SIDE)
FORWARD DOOR
PDO INSTALLATION

-CONFIDENTIAL INFORMATION-
THE INFORMATION AND DATA CONTAINED HEREIN
IS PROPRIETARY AND IS SUBMITTED IN CONFIDENCE;
AND SHALL NOT BE DISCLOSED, USED OR DUPLICATED
FOR ANY PURPOSE WHATSOEVER WITHOUT THE PRIOR
WRITTEN PERMISSION OF PARAVION TECHNOLOGY, INC.

PROTO
N/C

Paravion® Technology Inc.		TITLE PNEUMATIC DOOR OPENER CONFIGURATION		DRAWING NO. 212PDO-100	
DIMENSIONS IN INCHES					
TOLERANCES EXCEPT WHERE NOTED:					
.X = ± .1		.XX = ± .05		.XXX = ± .010	
ANGLES = ± 1°					
DRAWN BY MR ECO	APRVD. BY	CHK'D BY	DATE 04/16/01	REV N/C	ECO
DO NOT SCALE DRAWING				SHEET 1 OF 1	
© 2001 PARAVION TECH., INC. PARAVION IS A TRADEMARK OF PARAVION TECHNOLOGY, INC.					

SHEET	REV	ECO	DATE	DESCRIPTION	APR	CHK
1	A		02/20/08	ITEM 8 WAS MS20365-518, NOW EQUIVALENT ES39010-2	REB	LS



-1 INSTALLATION
-2 INSTALLATION (RIGHT SIDE)

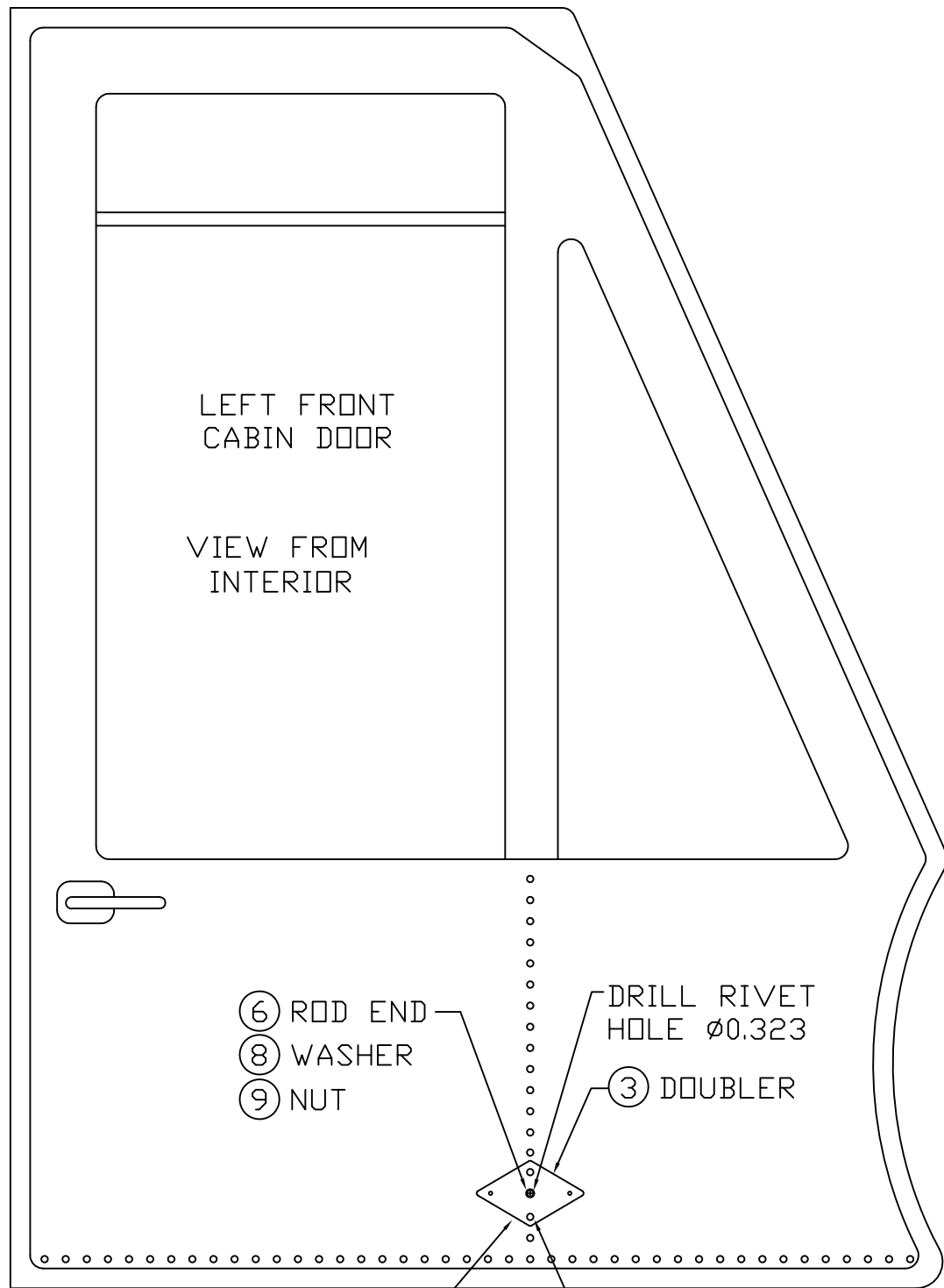
⑤ ACTUATOR
⑦ (TYP. 2 PLCS)

BREAK ALL SHARP EDGES

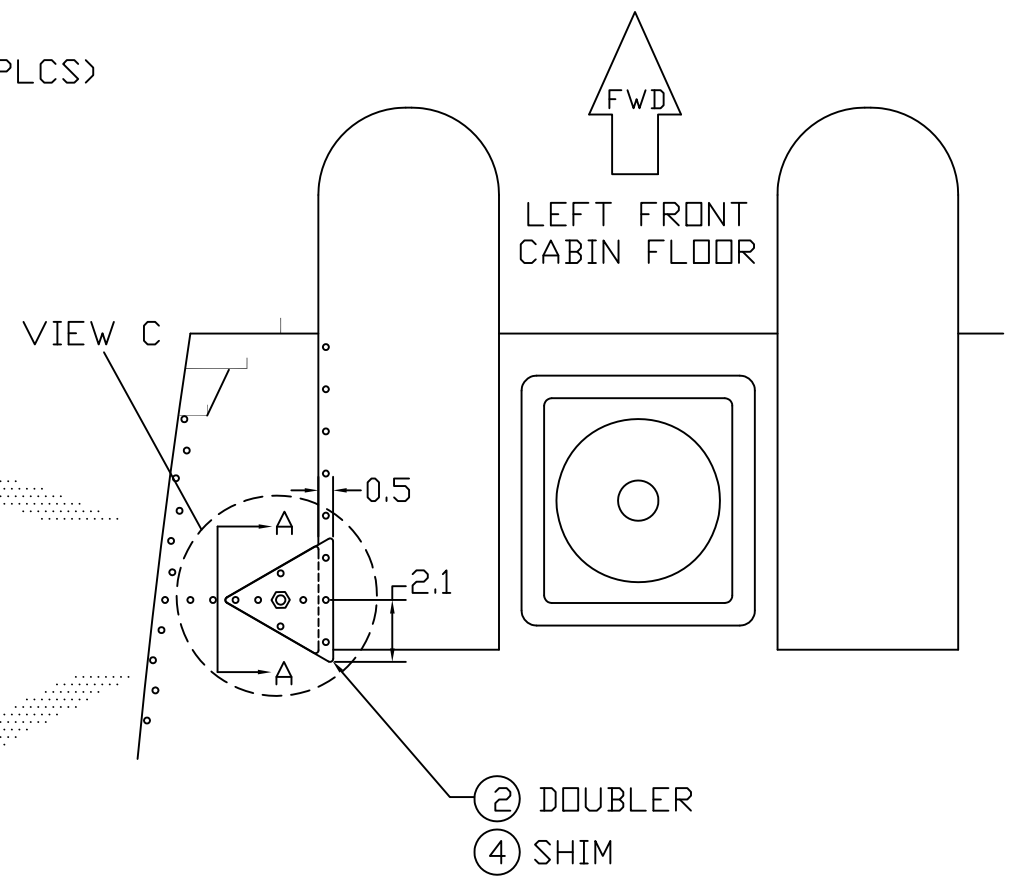
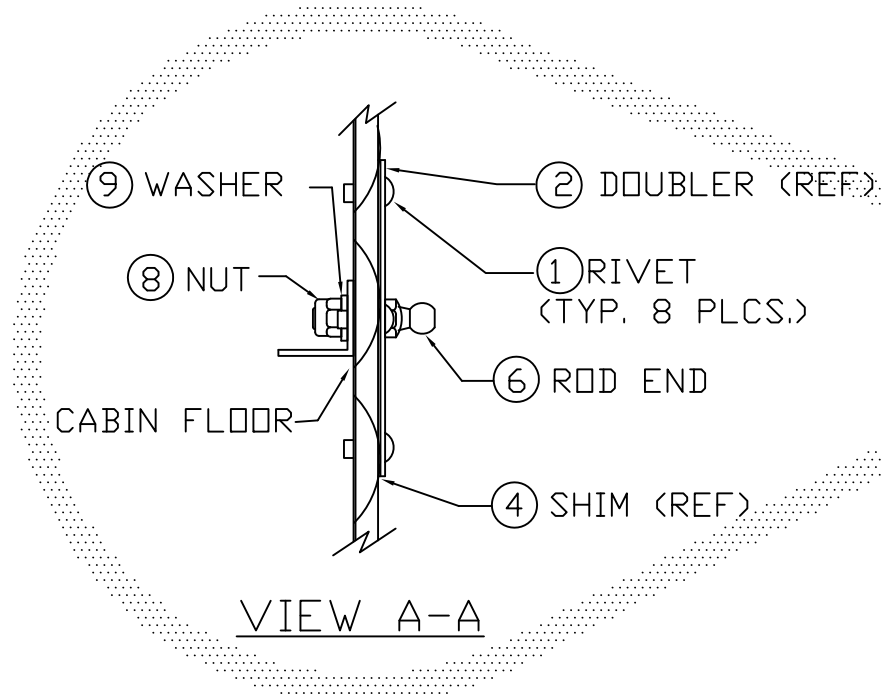
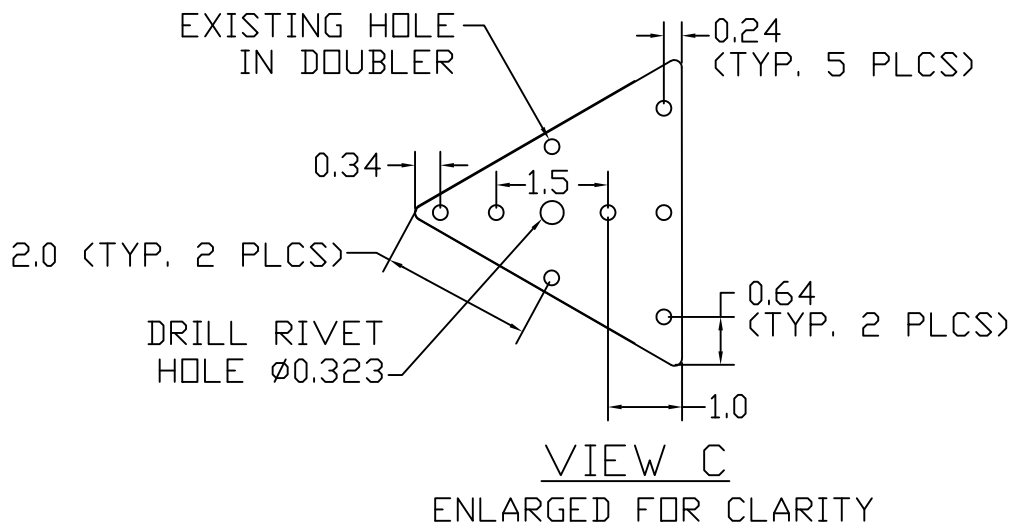
-CONFIDENTIAL INFORMATION-
THE INFORMATION AND DATA CONTAINED HEREIN
IS PROPRIETARY AND IS SUBMITTED IN CONFIDENCE;
AND SHALL NOT BE DISCLOSED, USED OR DUPLICATED
FOR ANY PURPOSE WHATSOEVER WITHOUT THE PRIOR
WRITTEN PERMISSION OF PARAVION TECHNOLOGY, INC.

PROTO
N/C

Paravion® Technology Inc.		TITLE FORWARD DOOR PDD INSTALLATION		DRAWING NO. 212PDD-110	
DIMENSIONS IN INCHES					
TOLERANCES EXCEPT WHERE NOTED:					
.X = ± .1					
.XX = ± .05					
.XXX = ± .010					
ANGLES = ± 1°					
THREADS:					
INTERNAL=CLASS 2B					
EXTERNAL=CLASS 2A					
DRAWN BY	APRVD. BY	CHK'D BY	DATE	REV	ECO
MR	MR	LS	04/16/01	A	
DO NOT SCALE DRAWING					SHEET
© 2008 PARAVION TECH., INC. PARAVION IS A TRADEMARK OF PARAVION TECHNOLOGY, INC.					1 OF 3



-1 INSTALLATION
(LEFT SIDE)

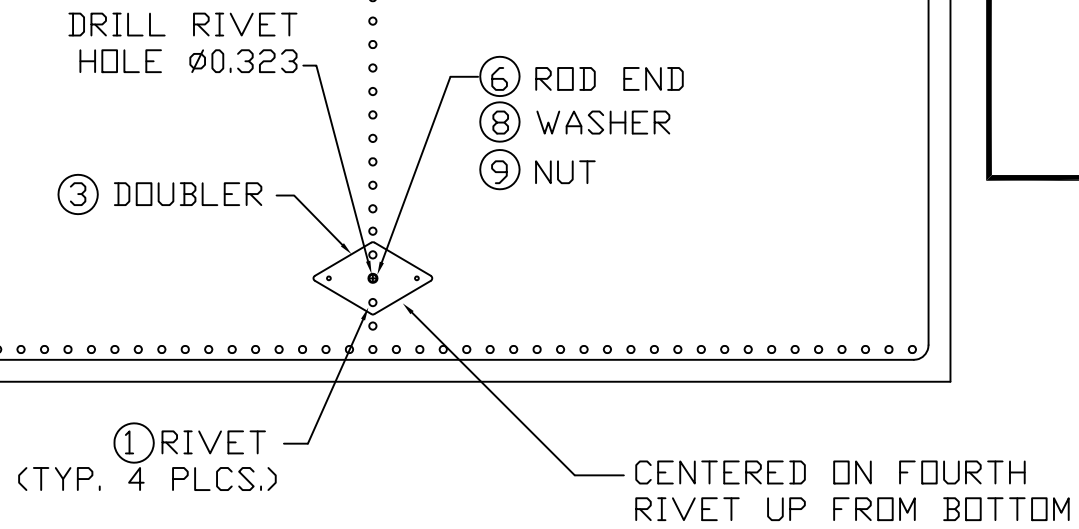
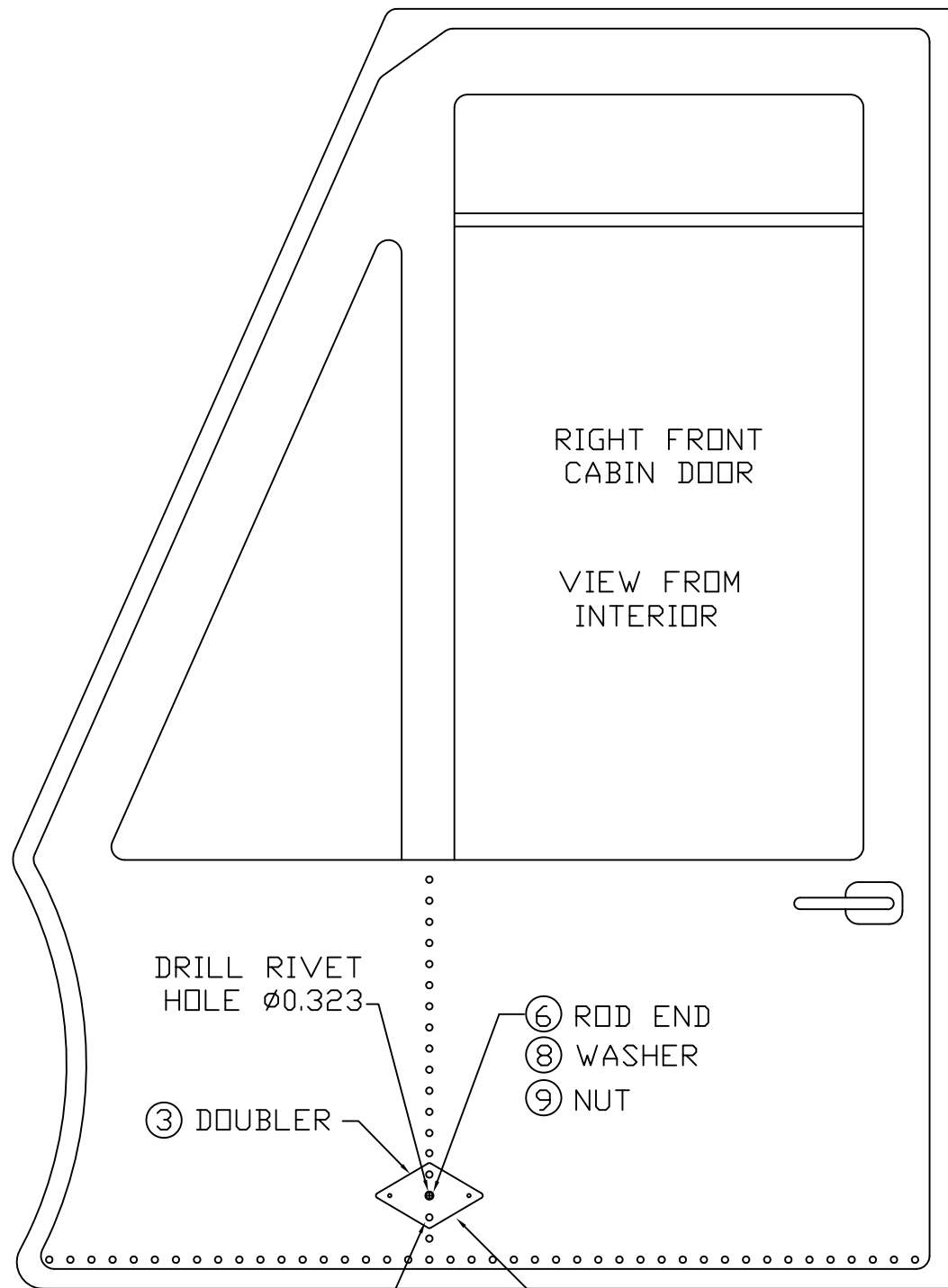


WEIGHT & BALANCE DATA (EACH DOOR INSTALLATION)		
WEIGHT (POUNDS)	ARM (INCHES)	MOMENT
1.0	38.0	38.0
APPLICABLE TO ALL MODELS		

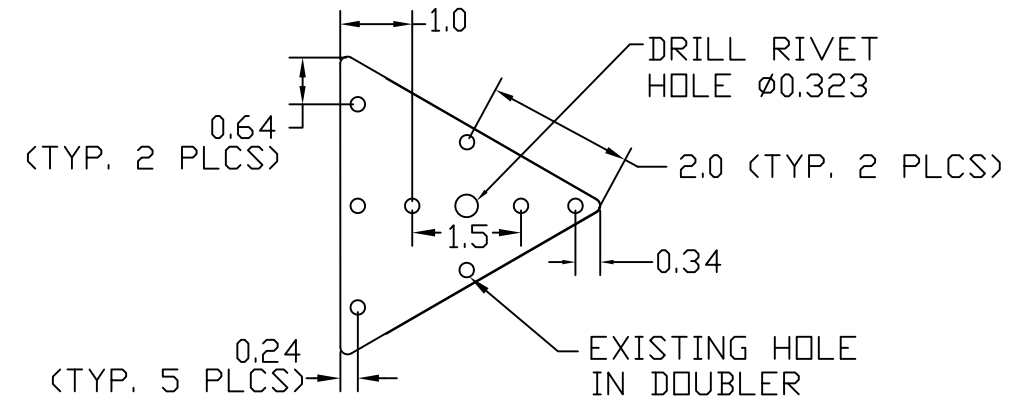
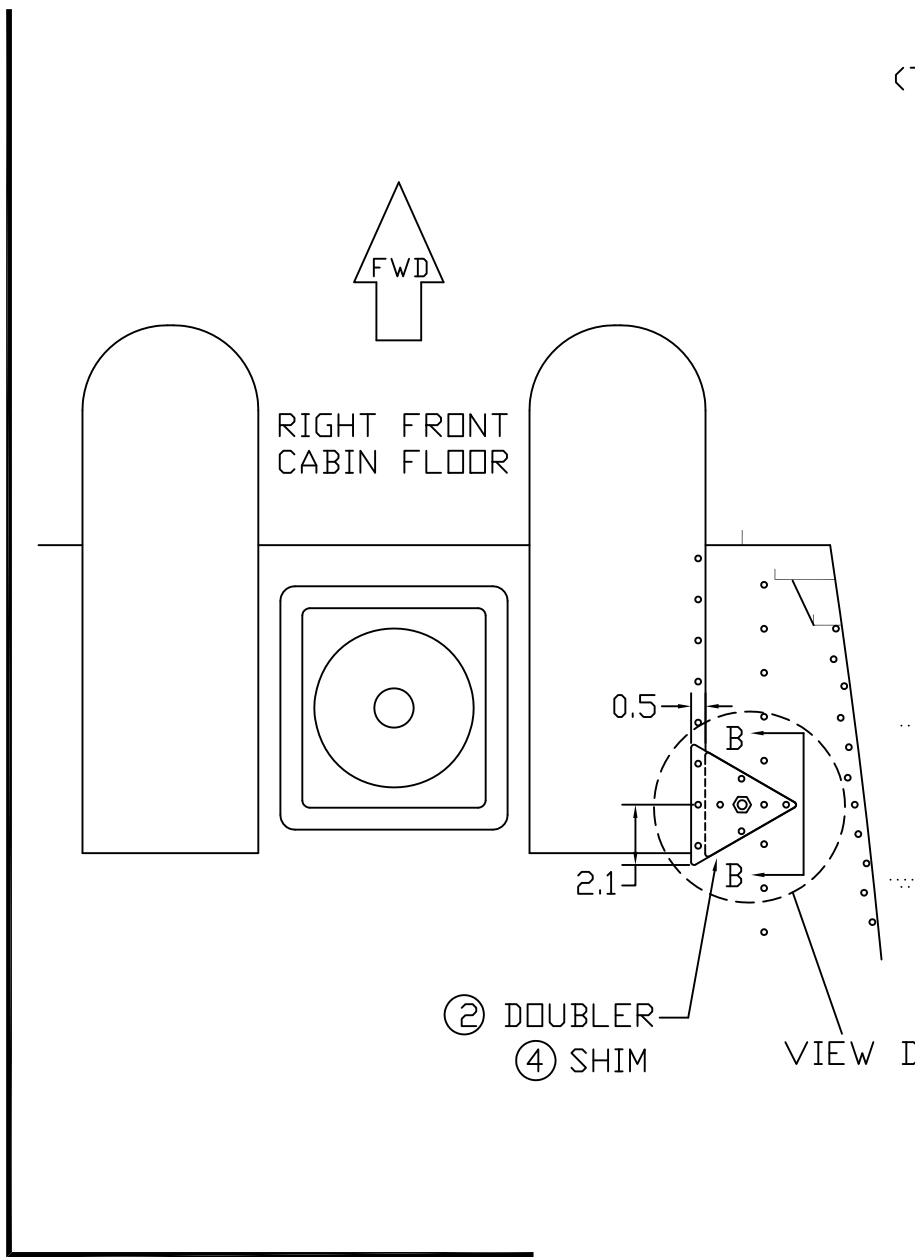
-CONFIDENTIAL INFORMATION-
THE INFORMATION AND DATA CONTAINED HEREIN IS PROPRIETARY AND IS SUBMITTED IN CONFIDENCE; AND SHALL NOT BE DISCLOSED, USED OR DUPLICATED FOR ANY PURPOSE WHATSOEVER WITHOUT THE PRIOR WRITTEN PERMISSION OF PARAVION TECHNOLOGY, INC.

PROTO
N/C

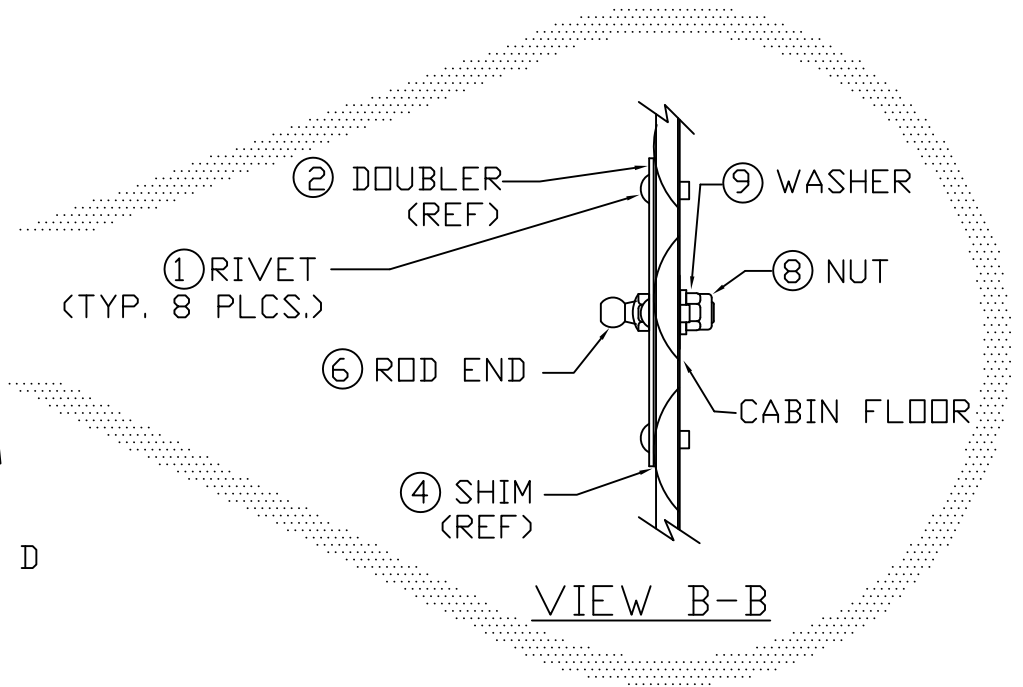
Paravion® Inc. Technology		TITLE FORWARD DOOR PDD INSTALLATION			DRAWING NO. 212PDD-110	
DIMENSIONS IN INCHES						
TOLERANCES EXCEPT WHERE NOTED:						
.X = $\pm .1$.XX = $\pm .05$.XXX = $\pm .010$		ANGLES = $\pm 1^\circ$
BY	APRVD. BY	CHK'D BY	DATE	REV	ECO	
MR			04/16/01	N/C		
DO NOT SCALE DRAWING				SHEET		
© 2001 PARAVION TECH., INC. PARAVION IS A TRADEMARK OF PARAVION TECHNOLOGY, INC.				2 OF 3		



-2 INSTALLATION
(RIGHT SIDE)



VIEW D
ENLARGED FOR CLARITY



WEIGHT & BALANCE DATA (EACH DOOR INSTALLATION)		
WEIGHT (POUNDS)	ARM (INCHES)	MOMENT
1.0	38.0	38.0
APPLICABLE TO ALL MODELS		

Paravion® Inc. Technology		TITLE FORWARD DOOR PDD INSTALLATION		DRAWING NO. 212PDD-110	
DIMENSIONS IN INCHES		DRAWN BY MR	APRVD. BY ECO	CHK'D BY	DATE 04/16/01
TOLERANCES EXCEPT WHERE NOTED:		DO NOT SCALE DRAWING		REV N/C	ECO
.X = $\pm .1$		© 2001 PARAVION TECH., INC. PARAVION IS A TRADEMARK OF PARAVION TECHNOLOGY, INC.		SHEET 3 OF 3	
.XX = $\pm .05$					
.XXX = $\pm .010$					
ANGLES = $\pm 1^\circ$					

-CONFIDENTIAL INFORMATION-
THE INFORMATION AND DATA CONTAINED HEREIN
IS PROPRIETARY AND IS SUBMITTED IN CONFIDENCE;
AND SHALL NOT BE DISCLOSED, USED OR DUPLICATED
FOR ANY PURPOSE WHATSOEVER WITHOUT THE PRIOR
WRITTEN PERMISSION OF PARAVION TECHNOLOGY, INC.

PROTO
N/C

Bill of Materials

*212PDO-110-1, REV. A

ITEM #	P/N	DESCRIPTION	QTY	TYP
0	*212PDO-110-1, REV. A	FRONT DOOR PDO INST'N	1	KIT
1	1624-0411	RIVET	12	EA
2	212DA-300-1	DOUBLER	1	EA
3	212DA-300-2	DOUBLER	1	EA
4	212DA-301-1	SHIM	1	EA
5	ES39200-4	ACTUATOR	1	EA
6	ES39201-1	ROD END	2	EA
7	ES39202-1	CLIP	2	EA
8	ES39010-2	LOCKING NUT (Alt MS20365-518)	2	EA
9	NAS1149F0532P	WASHER	2	EA

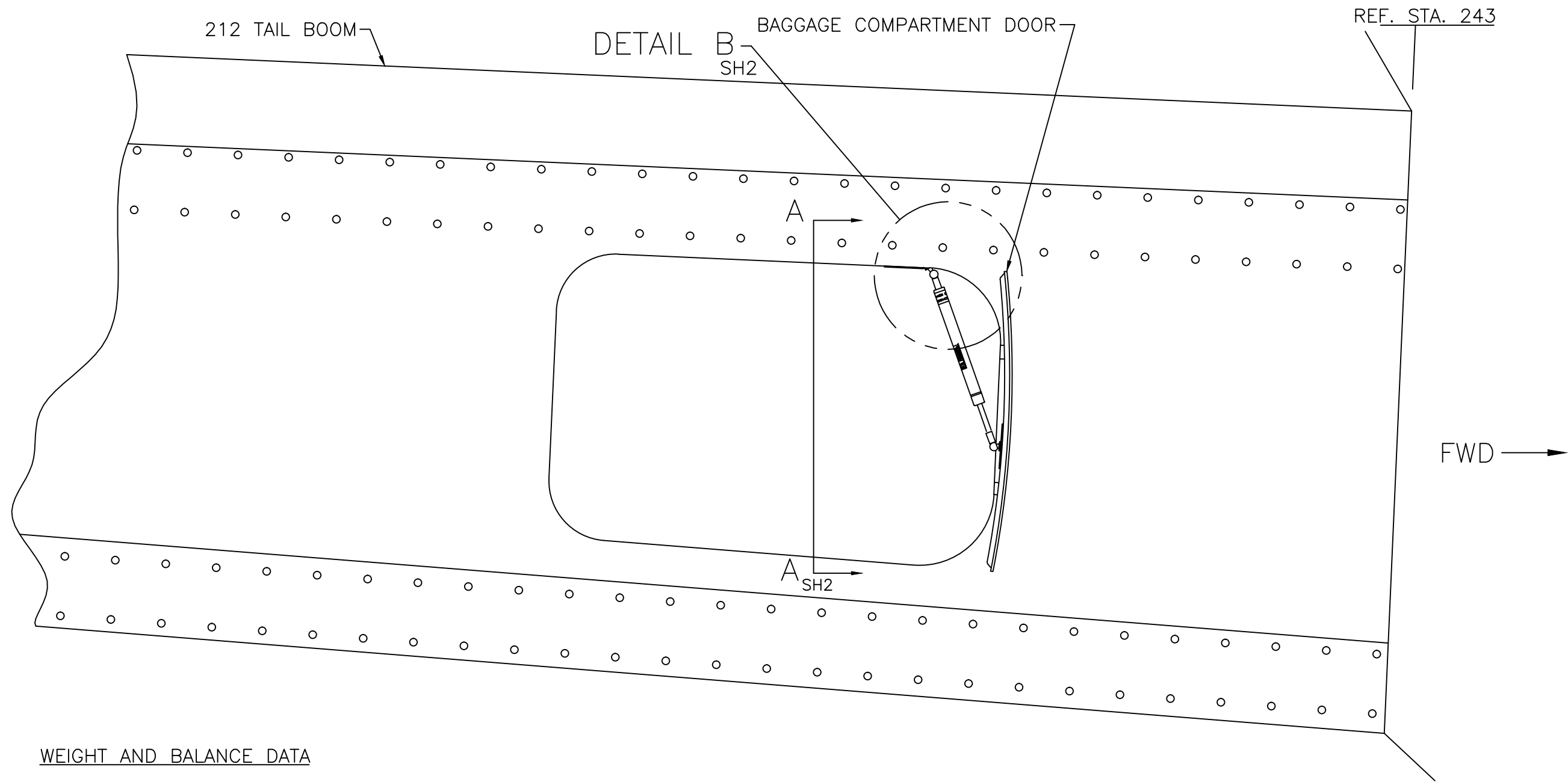
Bill of Materials

*212PDO-110-2, REV. A

ITEM #	P/N	DESCRIPTION	QTY	TYP
0	*212PDO-110-2, REV. A	FRONT DOOR PDO INST'N	1	KIT
1	1624-0411	RIVET	12	EA
2	212DA-300-1	DOUBLER	1	EA
3	212DA-300-2	DOUBLER	1	EA
4	212DA-301-1	SHIM	1	EA
5	ES39200-4	ACTUATOR	1	EA
6	ES39201-1	ROD END	2	EA
7	ES39202-1	CLIP	2	EA
8	ES39010-2	LOCKING NUT (Alt MS20365-518)	2	EA
9	NAS1149F0532P	WASHER	2	EA

- ① REMOVE 3 FORWARD MOST RIVETS AT APPROXIMATELY STA 276, 277, AND 278.
- ② SEAL FAYING SURFACES USING MIL-S-8802F CLASS B2 SEALANT OR EQUIVALENT

ECO	SHEET	REV	DATE	DESCRIPTION	APR	CHK



WEIGHT AND BALANCE DATA

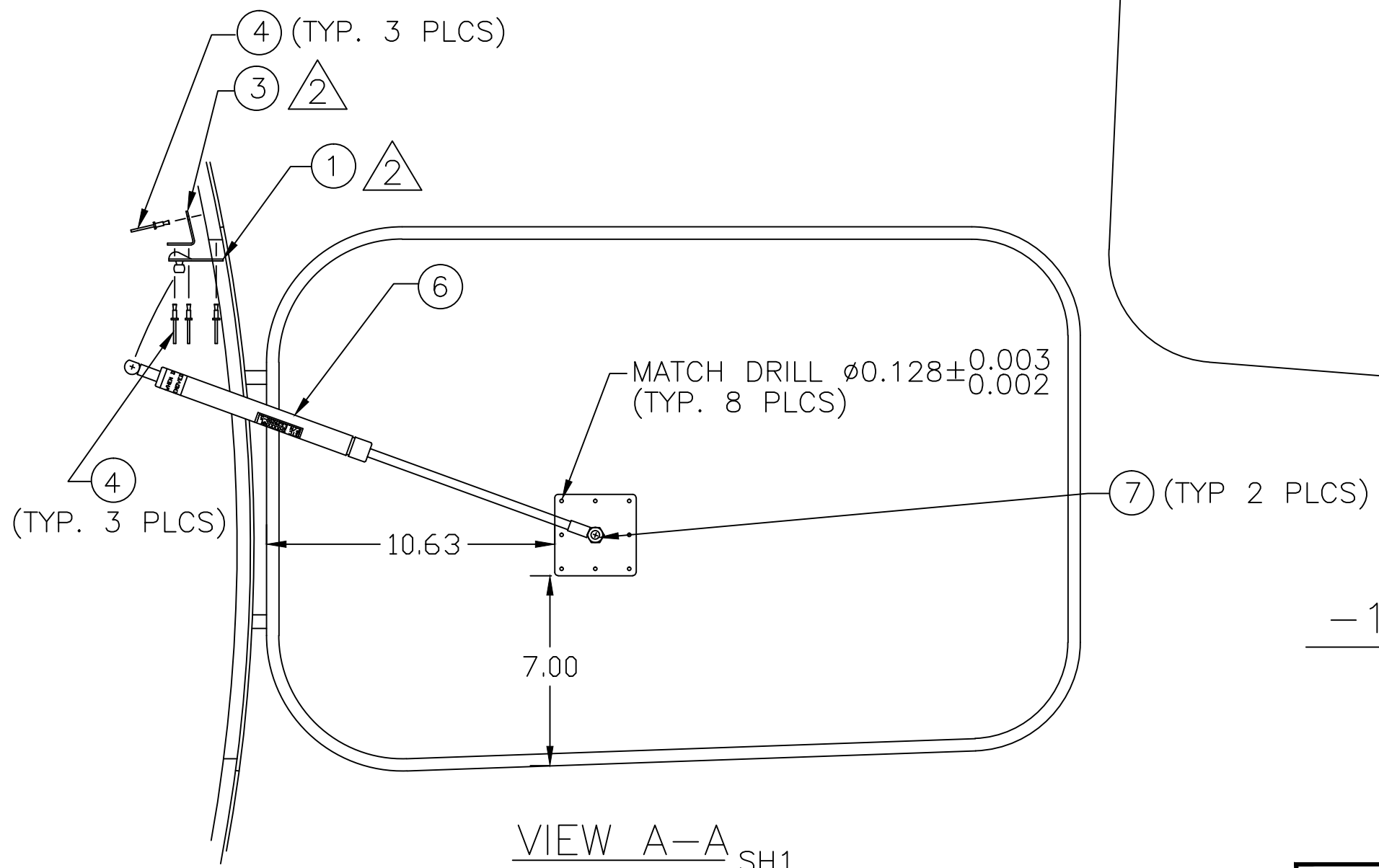
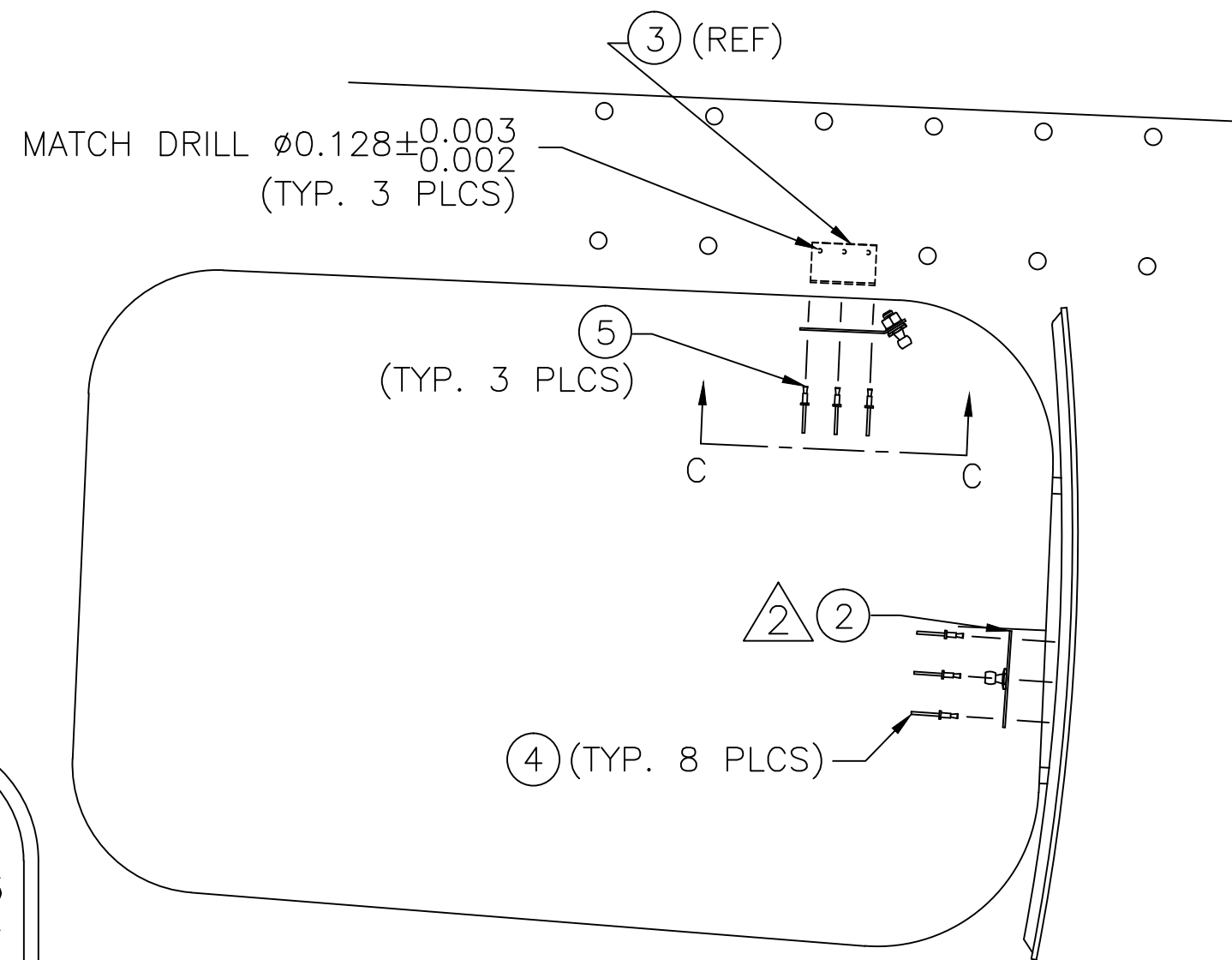
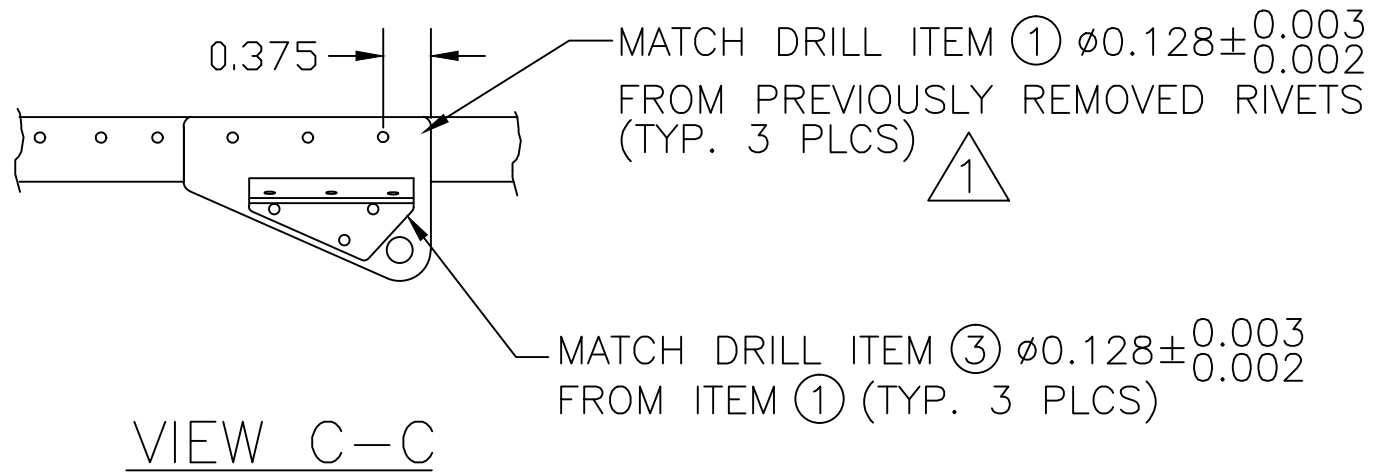
212PDO-150-1 INSTALLATION
 WEIGHT: 1 LB
 F.S.: 278 INCHES
 B.L.: +10 INCHES

BREAK ALL SHARP EDGES

-CONFIDENTIAL INFORMATION-
 THE INFORMATION AND DATA CONTAINED HEREIN
 IS PROPRIETARY AND IS SUBMITTED IN CONFIDENCE;
 AND SHALL NOT BE DISCLOSED, USED OR DUPLICATED
 FOR ANY PURPOSE WHATSOEVER WITHOUT THE PRIOR
 WRITTEN PERMISSION OF PARAVION TECHNOLOGY, INC.

PROTO
N/C

Paravion® Inc. Technology		TITLE BAGGAGE DOOR PDD INSTALLATION		DRAWING NO. 212PDO-150		
DIMENSIONS IN INCHES						
TOLERANCES EXCEPT WHERE NOTED:						
.X	= ± .1	DRAWN BY		APRVD. BY	CHK'D BY	
.XX	= ± .05	MR			04/16/01	
.XXX	= ± .010	ECO				
ANGLES = ± 1°					REV	ECO
DO NOT SCALE DRAWING					N/C	
© 2001 PARAVION TECH., INC. PARAVION IS A TRADEMARK OF PARAVION TECHNOLOGY, INC.					SHEET 1 OF 2	



-1 INSTALLATION

BREAK ALL SHARP EDGES

-CONFIDENTIAL INFORMATION-
THE INFORMATION AND DATA CONTAINED HEREIN
IS PROPRIETARY AND IS SUBMITTED IN CONFIDENCE;
AND SHALL NOT BE DISCLOSED, USED OR DUPLICATED
FOR ANY PURPOSE WHATSOEVER WITHOUT THE PRIOR
WRITTEN PERMISSION OF PARAVION TECHNOLOGY, INC.

PROTO
N/C

Paravion® Technology Inc.		TITLE BAGGAGE DOOR PDD INSTALLATION		DRAWING NO. 212PDD-150	
DIMENSIONS IN INCHES					
TOLERANCES EXCEPT WHERE NOTED:					
.X = ± .1		DRAWN BY MR		APRVD. BY ECO	
.XX = ± .05		DATE 04/16/01		REV N/C	
.XXX = ± .010		DO NOT SCALE DRAWING		SHEET 2 OF 2	
ANGLES = ± 1°		© 2001 PARAVION TECH, INC. PARAVION IS A TRADEMARK OF PARAVION TECHNOLOGY, INC.			

Bill of Materials

*212PDO-150-1, REV. N/C

ITEM #	P/N	DESCRIPTION	QTY	TYP
0	*212PDO-150-1, REV. N/C	BAGGAGE DOOR PDO INST'N	1	KIT
1	212DA-3000-1	BRACKET ASSEMBLY	1	EA
2	212DA-3100-1	BRACKET ASSEMBLY	1	EA
3	212DA-3110-1	PLATE	1	EA
4	CR3213-4-2	RIVETS	14	EA
5	CR3243-4-3	RIVETS	3	EA
6	ES39200-7	ACTUATOR	1	EA
7	ES39202-1	ROD END CLIPS	2	EA



Bill of Materials

*212PDO-150-1, REV. N/C

ITEM #	P/N	DESCRIPTION	QTY	TYP
0	*212PDO-150-1, REV. N/C	BAGGAGE DOOR PDO INST'N	1	KIT
1	212DA-3000-1	BRACKET ASSEMBLY	1	EA
2	212DA-3100-1	BRACKET ASSEMBLY	1	EA
3	212DA-3110-1	PLATE	1	EA
4	CR3213-4-2	RIVETS	14	EA
5	CR3243-4-3	RIVETS	3	EA
6	ES39200-7	ACTUATOR	1	EA
7	ES39202-1	ROD END CLIPS	2	EA
