

INSTALLATION INSTRUCTIONS; 269DA-100-1,-2,-3,-4 INSTALLATIONS  
ALL INSTALLATIONS:

1. UNFASTEN AND ROLL CARPET INWARD TO OBTAIN CLEAR ACCESS TO THE OUTBOARD EDGE OF THE CABIN FLOOR.
2. POSITION FLOOR BRACKET AS SHOWN AND MATCH DRILL INDICATED HOLES THROUGH FLOOR.
3. CENTER UNDRILLED FLANGE OF FLOOR BRACE UNDER THE TWO MOST INBOARD HOLES, MARK HOLES LOCATION ON BRACE.
4. DRILL INDICATED HOLES THROUGH BRACE AT MARKED LOCATIONS.

5. POSITION AND ATTACH BRACKET AND BRACE TO CABIN FLOOR USING INDICATED FASTENERS.

NOTE: CERTAIN AIRCRAFT INCORPORATE FLOOR DOUBLER IN THIS AREA; MANUFACTURE 2024-T3 SHIM FROM 0.032 STOCK TO FIT BETWEEN BRACE AND FLOOR, AND INSTALL AS REQUIRED.

6. MATCH DRILL INDICATED HOLES THROUGH INNER WALL OF DOOR SILL FROM THE BRACE.
7. FASTEN BRACE TO SILL USING INDICATED FASTENERS.
8. TRIM AND REINSTALL CARPET AND CARPET RETAINER AS REQUIRED.

-1, -2 INSTALLATION; 269A, 269A-1, 269B, 269C S/N 0001 - 1701

9. LOCATE BRACKET ON DOOR, DRILL INDICATED HOLES CENTERED ON BRACKET CORNER AND WINDOW ATTACHMENT SURFACE OF DOOR.

10. INSTALL BRACKET USING INDICATED FASTENERS.

11. INSTALL ACTUATOR, ROD END DOWN, THEN INSTALL CLIPS TO EACH END OF THE ACTUATOR.

12> REVISE AIRCRAFT WEIGHT AND BALANCE AND MAKE APPROPRIATE LOG BOOK ENTRY.

-3, -4 INSTALLATION; 269C S/N 1702 AND SUBS., 269C-1

\*NOTE: FOR 269C-1 S/N 0001 - 0025, REFER TO SHEET 4 FOR REQUIRED STROBE POWER SUPPLY RELOCATION.

9. LOCATE SPACER AT BOTTOM AFT CORNER OF WINDOW. CUT AWAY DOOR CARPET UNDER SPACER. IT IS SUGGESTED THAT ONLY THE LOWER HOLE SHOULD BE MATCH-DRILLED TO THE SPACER AT THIS TIME TO ALLOW ACCURATE LOCATION OF THE FORWARD END OF THE SUPPORT.

10. TEMPORARILY INSTALL THE AFT END OF THE DOOR/SPACER/SUPPORT ASSEMBLY.

11> POSITION FORWARD END OF SUPPORT ASSEMBLY, MATCH DRILL THROUGH INNER WALL OF FORWARD DOOR PANEL.

12> COMPLETE INSTALLATION OF FORWARD AND AFT ENDS OF SUPPORT ASSEMBLY USING INDICATED FASTENERS.

13> INSTALL ACTUATOR ROD END DOWN, THEN INSTALL CLIPS TO EACH END OF THE ACTUATOR.


14> REVISE AIRCRAFT WEIGHT AND BALANCE AND MAKE APPROPRIATE LOG BOOK ENTRY.

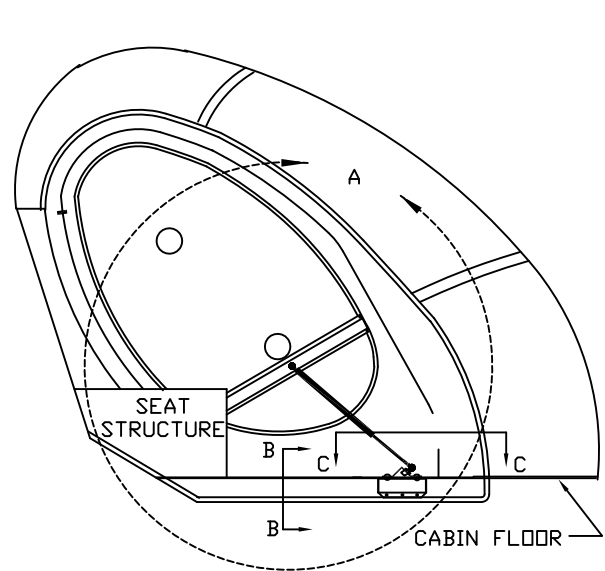
SHEET	REV	ECO	DATE	DESCRIPTION	BY	APR	CHK
1,2	A		10/21/88	CHANGE 07DA-301-3 BRKT ASSY TO -5 ASSY & -4 TO -6 ASSY ADDED CR3243-4-5 RIVET		BR	BR
1,2	B		08/23/95	ADDED MODEL EFFECTIVITY		REB	REB
1,2,3,4	C		12/19/95	ADDED SHT 3,4 & -3, -4 INST'N		REB	REB
1,2,3,4	D		09/19/00	-3, -4 INST'N; 07DA-301-7,-8 W/POWDERCOAT WAS -5,-6/ CHG'D PER SCHWEIZER REQUEST 2.50(REF) WAS 2.40, S/N00049 & SUBS. WAS S/N00026 & SUBS. PER SCHWEIZER REQUEST REVISED TO NUMBERED BOM, ADDED INST'N MATRIX		REB	LS
1,2		1	09/27/2010	REVISED STEP 5 BRACE INSTN TO SAY POSSIBLE SHIM	REB	REB	LS
1,2		2	08/22/2012	REVISE -7/-8 BRACKET FOR RIVETED CABIN FLOOR ADD ALT. VIEW C-C, INSTALL FOR RIVETED FLOOR	DGW	REB	LS

SYSTEM CONFIGURATION	MODEL EFFECTIVITY	LOCATION
269DA-100-1	269A/A-1/B/(C SN 0001-1701)	LEFT
269DA-100-2	269A/A-1/B/(C SN 0001-1701)	RIGHT
269DA-100-3	269C-1/(C SN 1702 & SUB)	LEFT
269DA-100-4	269C-1/(C SN 1702 & SUB)	RIGHT

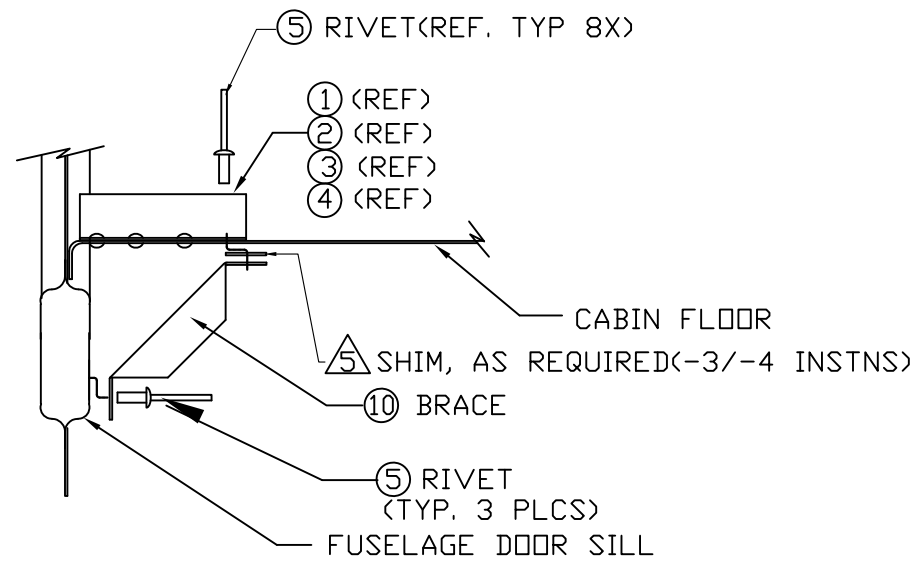
-CONFIDENTIAL INFORMATION-  
THE INFORMATION AND DATA CONTAINED HEREIN IS PROPRIETARY AND IS SUBMITTED IN CONFIDENCE; AND SHALL NOT BE DISCLOSED, USED OR DUPLICATED FOR ANY PURPOSE WHATSOEVER WITHOUT THE PRIOR WRITTEN PERMISSION OF PARAVION TECHNOLOGY, INC.

PROTO  
N/C

		TITLE			DRAWING NO.	
		DOOR ACTUATOR INSTALLATION			269DA-100	
DIMENSIONS IN INCHES						
TOLERANCES EXCEPT WHERE NOTED:						
DRAWN BY	APRVD. BY	CHK'D BY	DATE	REV	ECO	
NLH	REB	REB	10/05/88	D	2	
DO NOT SCALE DRAWING					SHEET	
© 2000 PARAVION TECH., INC. PARAVION IS A TRADEMARK OF PARAVION TECHNOLOGY, INC.					1 OF 4	

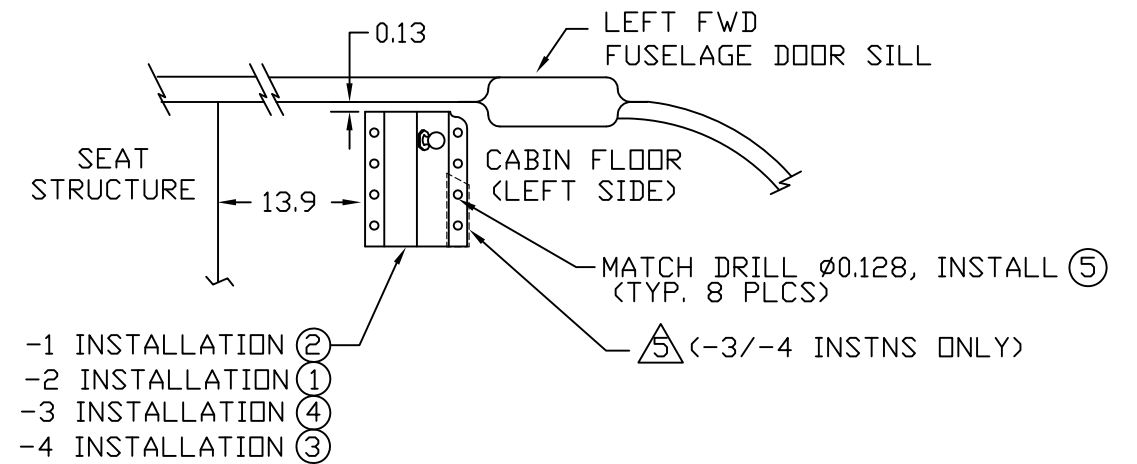


LEFT SIDE VIEWED FROM INSIDE



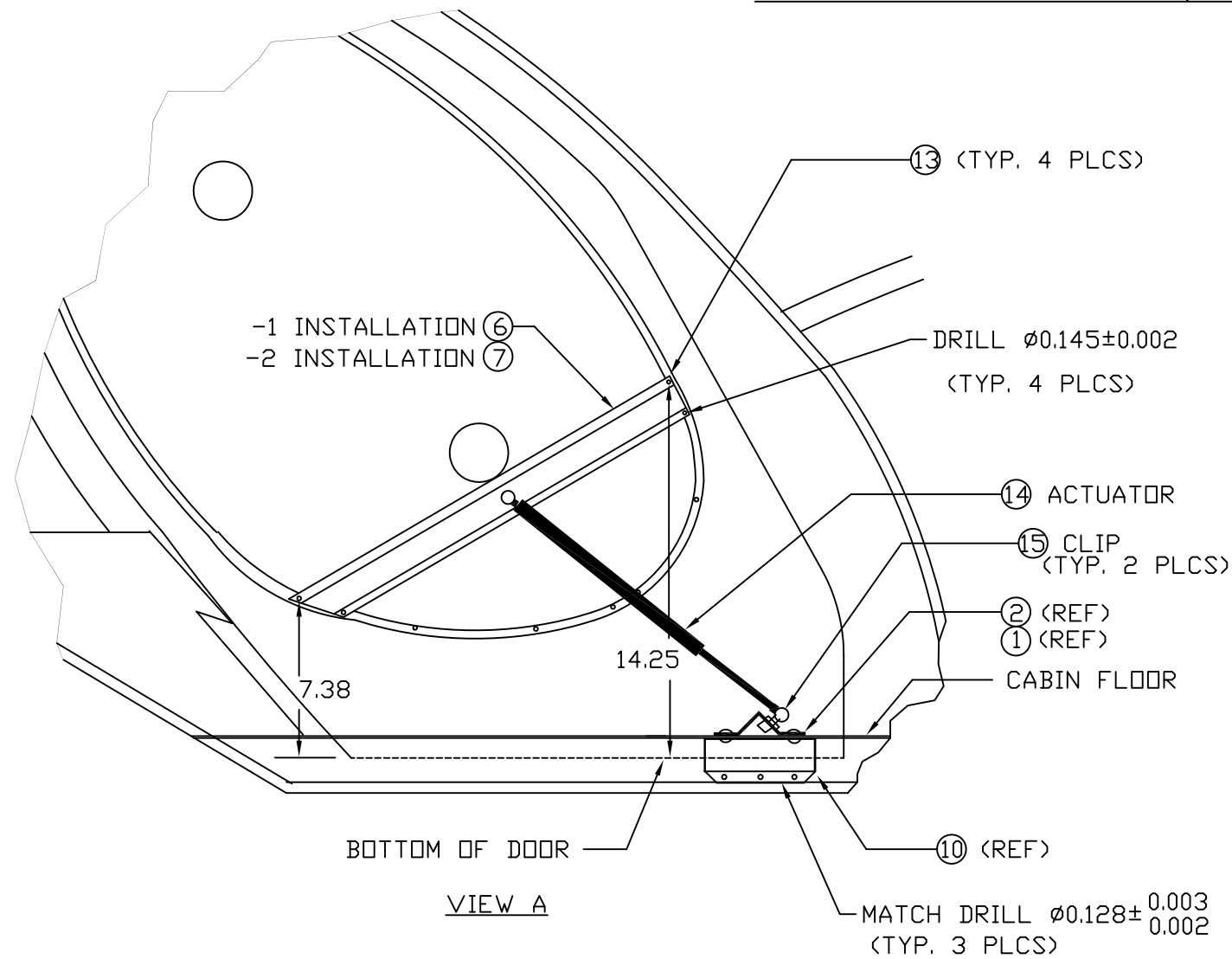
VIEW B-B

-1/-3 INSTALLATION (SHOWN, LEFT SIDE)  
 -2/-4 INSTALLATION (OPPOSITE, RIGHT SIDE)

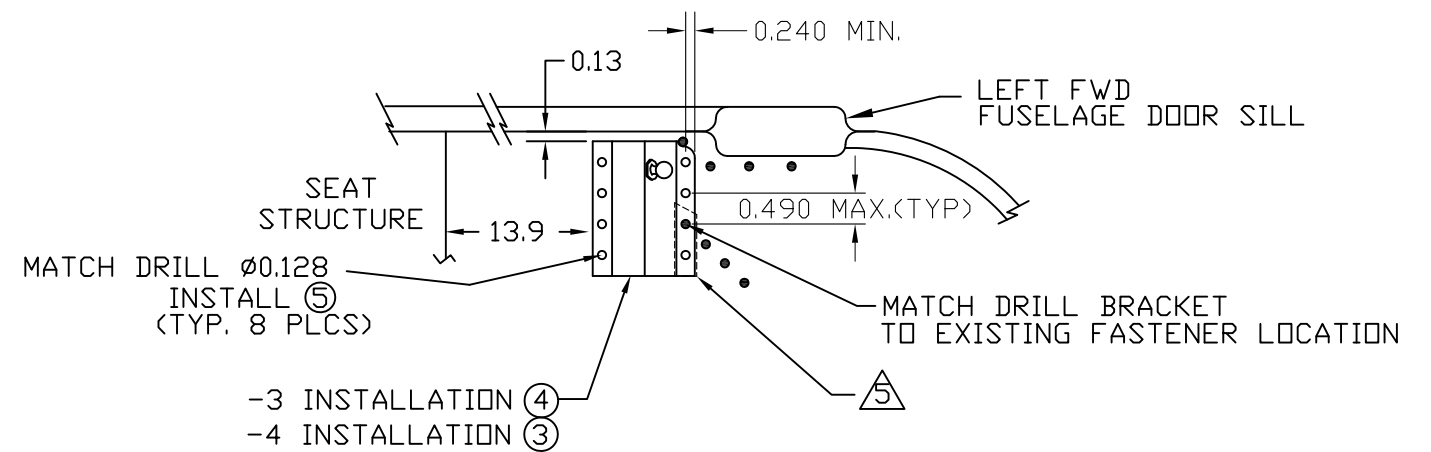


VIEW C-C

USE THIS INSTALLATION IF FLOOR IS SPOT-WELDED  
 SEE ALT. VIEW C-C BELOW IF FLOOR IS RIVETED



VIEW A



ALT. VIEW C-C (CABIN FLOOR, LEFT SIDE SHOWN)

USE THIS INSTALLATION IF FLOOR IS RIVETED

WEIGHT & BALANCE  
 (EACH DOOR INSTALLATION)

WEIGHT	ARM	MOMENT
1.12	64	71.68

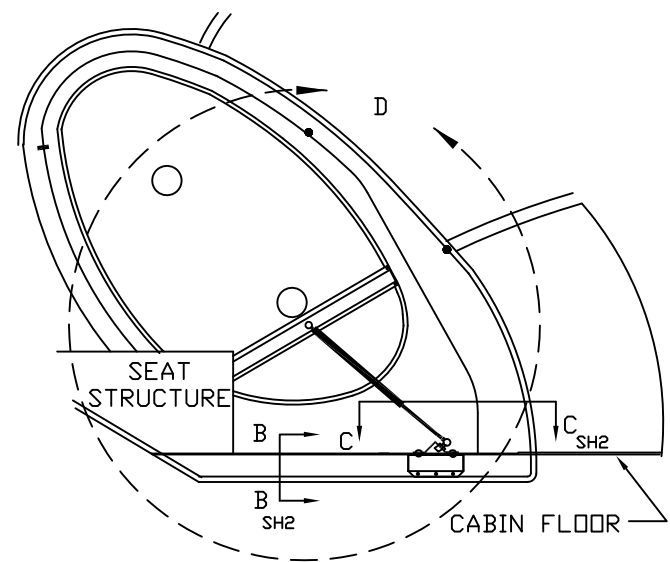
<b>Paravion® Inc.</b>		TITLE DOOR ACTUATOR INSTALLATION		DRAWING NO. 269DA-100	
DIMENSIONS IN INCHES					
DRAWN BY NLH	APRVD. BY REB	CHK'D BY REB	DATE 10/05/88	REV D	ECO 2
TOLERANCES EXCEPT WHERE NOTED:				DO NOT SCALE DRAWING	
.X = ± .1				SHEET 2 OF 4	
.XX = ± .05					
.XXX = ± .010					
ANGLES = ± 1°				© 2000 PARAVION TECH., INC. PARAVION IS A TRADEMARK OF PARAVION TECHNOLOGY, INC.	

BREAK ALL SHARP EDGES

-CONFIDENTIAL INFORMATION-  
 THE INFORMATION AND DATA CONTAINED HEREIN  
 IS PROPRIETARY AND IS SUBMITTED IN CONFIDENCE;  
 AND SHALL NOT BE DISCLOSED, USED OR DUPLICATED  
 FOR ANY PURPOSE WHATSOEVER WITHOUT THE PRIOR  
 WRITTEN PERMISSION OF PARAVION TECHNOLOGY, INC.

PROTO

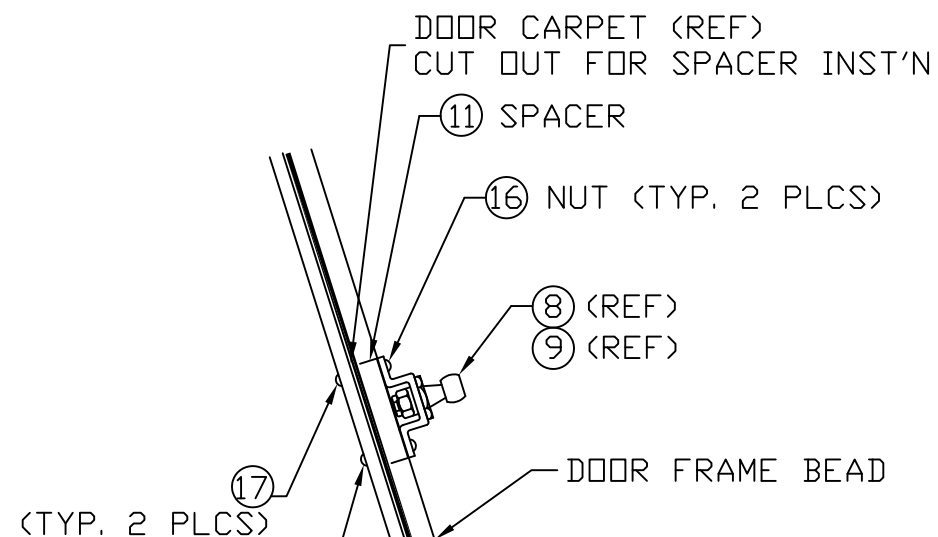
N/C



LEFT SIDE VIEWED FROM INSIDE

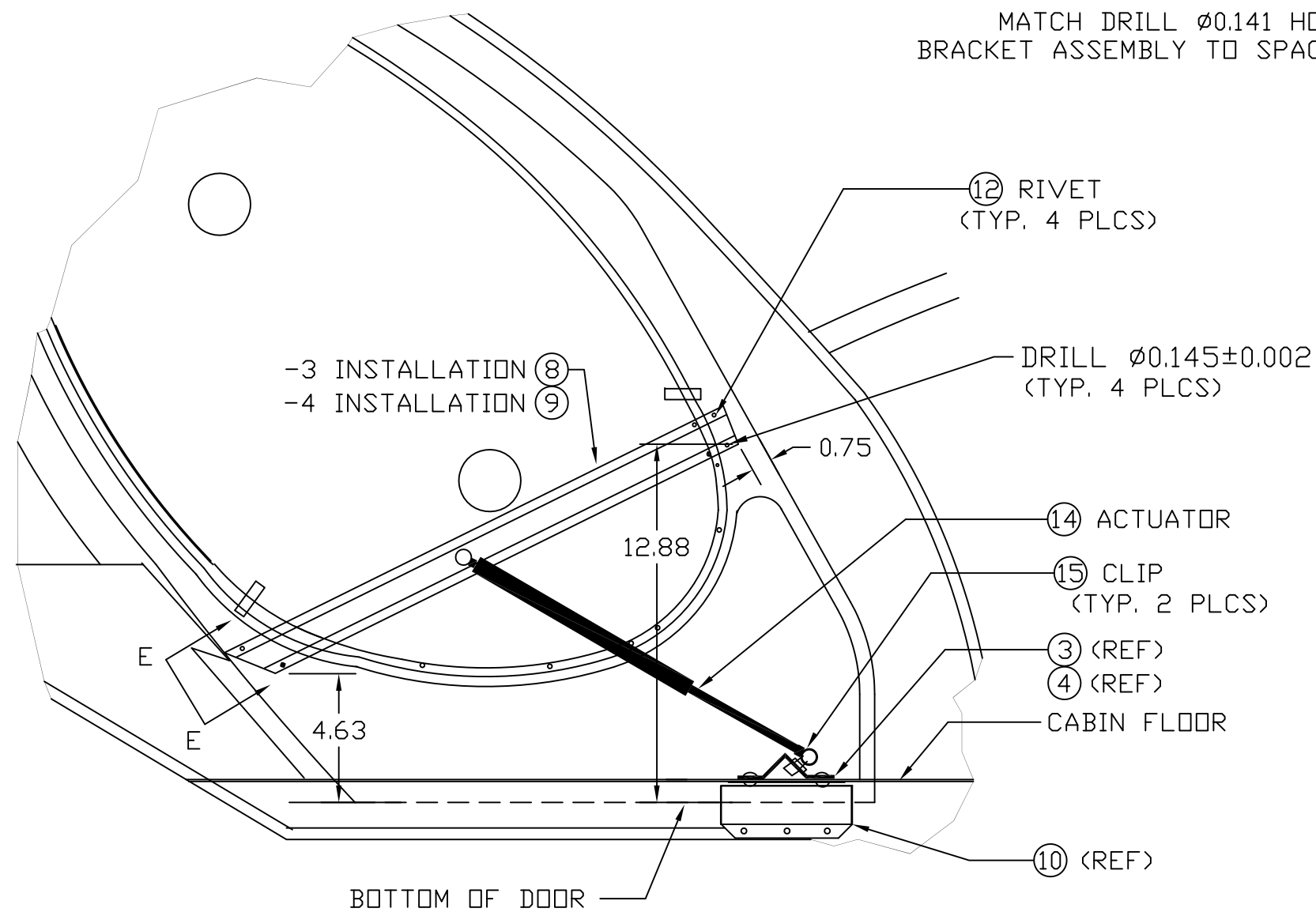
WEIGHT & BALANCE  
(EACH DOOR INSTALLATION)

WEIGHT	ARM	MOMENT
1.12	64	71.68



VIEW E-E

MATCH DRILL  $\phi 0.141$  HOLES THRU  
BRACKET ASSEMBLY TO SPACER AND DOOR



BOTTOM OF DOOR

VIEW D

-3 INSTALLATION (SHOWN, LEFT SIDE)  
-4 INSTALLATION (OPPOSITE, RIGHT SIDE)

BREAK ALL SHARP EDGES

-CONFIDENTIAL INFORMATION-  
THE INFORMATION AND DATA CONTAINED HEREIN  
IS PROPRIETARY AND IS SUBMITTED IN CONFIDENCE;  
AND SHALL NOT BE DISCLOSED, USED OR DUPLICATED  
FOR ANY PURPOSE WHATSOEVER WITHOUT THE PRIOR  
WRITTEN PERMISSION OF PARAVION TECHNOLOGY, INC.

PROTO  
N/C

Paravion® Technology Inc.		TITLE DOOR ACTUATOR INSTALLATION			DRAWING NO. 269DA-100	
DIMENSIONS IN INCHES						
TOLERANCES EXCEPT WHERE NOTED:						
.X	=	±	.1			
.XX	=	±	.05			
.XXX	=	±	.010			
ANGLES = ± 1°						
DRAWN BY NLH	APRVD. BY REB	CHK'D BY REB	DATE 10/05/88	REV D	ECO 2	
DO NOT SCALE DRAWING					SHEET 3 OF 4	
© 2000 PARAVION TECH., INC. PARAVION IS A TRADEMARK OF PARAVION TECHNOLOGY, INC.						

FWD

WEIGHT AND BALANCE DATA:

WEIGHT CHANGE = 0  
 LATERAL MOMENT CHANGE = -4.2 LB-IN.  
 LONGITUDINAL MOMENT CHANGE = 0.0

FORWARD BULKHEAD (REF) STA 54.75

F

F

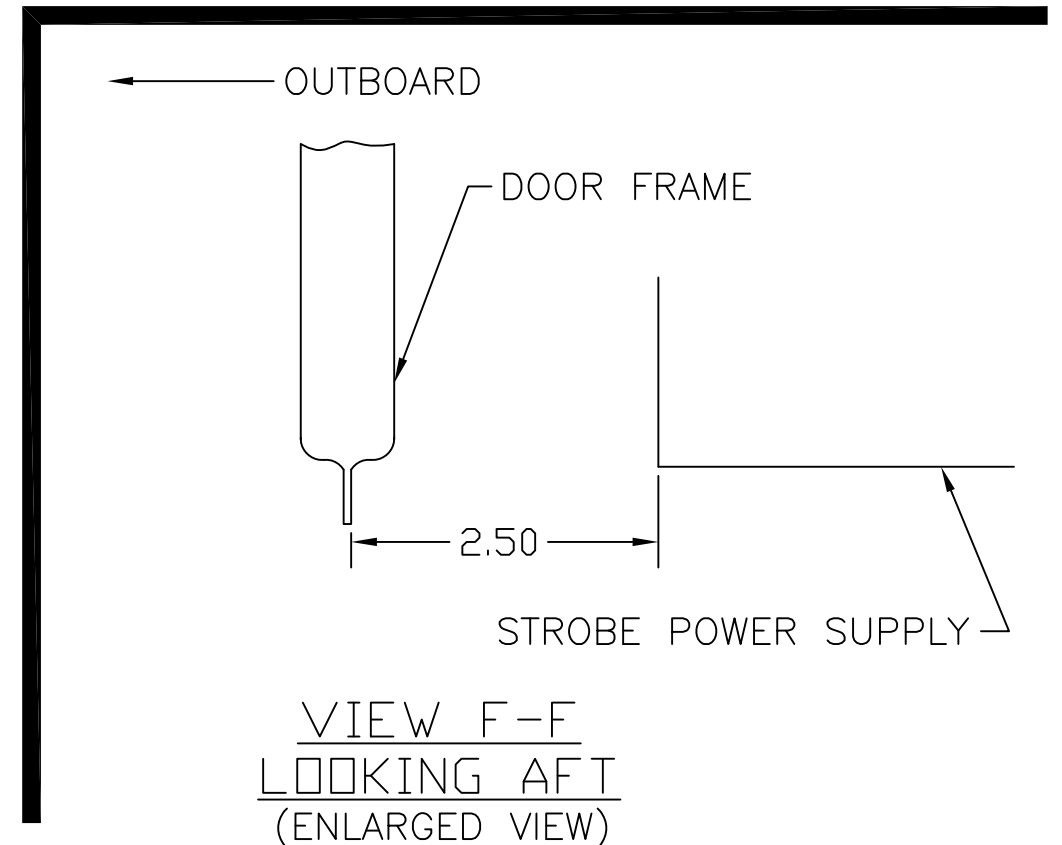
R.H. SIDE OF AIRCRAFT

4.50

STROBE POWER SUPPLY

2.50  
(REF)

NOTE: STROBE POWER SUPPLY HAS BEEN RELOCATED AS SHOWN ABOVE IN 269C-1 S/N 00049 & SUBSQ. FOR 269C-1 S/N 0001-0048 RELOCATE THE STROBE POWER SUPPLY AS SHOWN ABOVE.



-4 INSTALLATION

-CONFIDENTIAL INFORMATION-  
 THE INFORMATION AND DATA CONTAINED HEREIN IS PROPRIETARY AND IS SUBMITTED IN CONFIDENCE; AND SHALL NOT BE DISCLOSED, USED OR DUPLICATED FOR ANY PURPOSE WHATSOEVER WITHOUT THE PRIOR WRITTEN PERMISSION OF PARAVION TECHNOLOGY, INC.

PROTO  
 N/C

		<b>TITLE</b> DOOR ACTUATOR INSTALLATION		<b>DRAWING NO.</b> 269DA-100	
DIMENSIONS IN INCHES TOLERANCES EXCEPT WHERE NOTED:					
DRAWN BY NLH	APRVD. BY REB	CHK'D BY REB	DATE 10/05/88	REV D	ECO 2
ANGLES = ± 1°				DO NOT SCALE DRAWING	
© 2000 PARAVION TECH., INC. PARAVION IS A TRADEMARK OF PARAVION TECHNOLOGY, INC.				SHEET 4 OF 4	

# Bill of Materials

\*269DA-100-1, REV. D ECO2

ITEM #	P/N	DESCRIPTION	QTY	TYP
0	*269DA-100-1, REV. D ECO2	DOOR ACTUATOR INST'N	1	KIT
2	07DA-301-6	BRACKET ASSEMBLY	1	EA
5	1624-0411	RIVET	11	EA
6	269DA-300-1	SUPPORT ASSEMBLY	1	EA
10	269DA-301-5	BRACE	1	EA
13	NAS9304B-4-03	RIVET (ALT: CR3243-4-3)	4	EA
14	ES39200-3	ACTUATOR	1	EA
15	ES39202-1	CLIP	2	EA

---

# Bill of Materials

\*269DA-100-2, REV. D ECO2

ITEM #	P/N	DESCRIPTION	QTY	TYP
0	*269DA-100-2, REV. D ECO2	DOOR ACTUATOR INST'N	1	KIT
1	07DA-301-5	BRACKET ASSEMBLY	1	EA
5	1624-0411	RIVET	11	EA
7	269DA-300-2	SUPPORT ASSEMBLY	1	EA
10	269DA-301-5	BRACE	1	EA
13	NAS9304B-4-03	RIVET (ALT: CR3243-4-3)	4	EA
14	ES39200-3	ACTUATOR	1	EA
15	ES39202-1	CLIP	2	EA

---

# Bill of Materials

\*269DA-100-3, REV. D ECO2

ITEM #	P/N	DESCRIPTION	QTY	TYP
0	*269DA-100-3, REV. D ECO2	DOOR ACTUATOR INST'N	1	KIT
4	07DA-301-8	BRACKET ASSEMBLY	1	EA
5	1624-0411	RIVET	11	EA
8	269DA-300-3	SUPPORT ASSEMBLY	1	EA
10	269DA-301-5	BRACE	1	EA
11	330DA-302-1	SPACER	1	EA
12	NAS9304B-4-03	RIVET (ALT: CR3243-4-3)	4	EA
14	ES39200-3	ACTUATOR	1	EA
15	ES39202-1	CLIP	2	EA
16	MS21042L06	NUT	2	EA
17	MS35206-232	SCREW	2	EA

---

# Bill of Materials

\*269DA-100-4, REV. D ECO2

ITEM #	P/N	DESCRIPTION	QTY	TYP
0	*269DA-100-4, REV. D ECO2	DOOR ACTUATOR INST'N	1	KIT
3	07DA-301-7	BRACKET ASSEMBLY	1	EA
5	1624-0411	RIVET	11	EA
9	269DA-300-4	SUPPORT ASSEMBLY	1	EA
10	269DA-301-5	BRACE	1	EA
11	330DA-302-1	SPACER	1	EA
12	NAS9304B-4-03	RIVET (ALT: CR3243-4-3)	4	EA
14	ES39200-3	ACTUATOR	1	EA
15	ES39202-1	CLIP	2	EA
16	MS21042L06	NUT	2	EA
17	MS35206-232	SCREW	2	EA

---