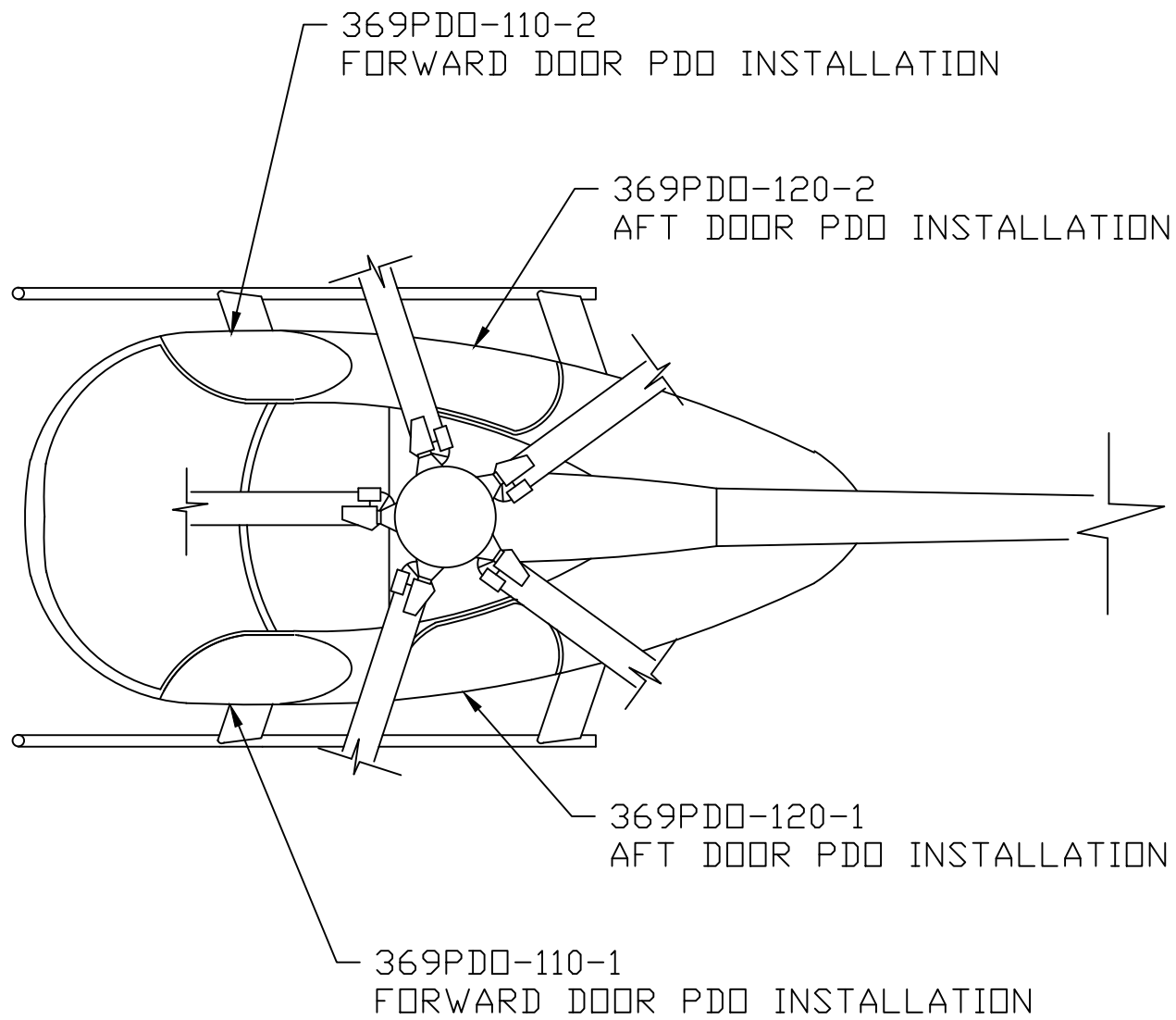


MODEL AFFECTIVITY	FRONT DOOR PDO INSTALLATION	AFT DOOR PDO INSTALLATION
369 SERIES	369PDO-110	369PDO-120
500N	369PDO-110	369PDO-120
600N	369PDO-110	

ECO	SHEET	REV	DATE	DESCRIPTION	APR	CHK

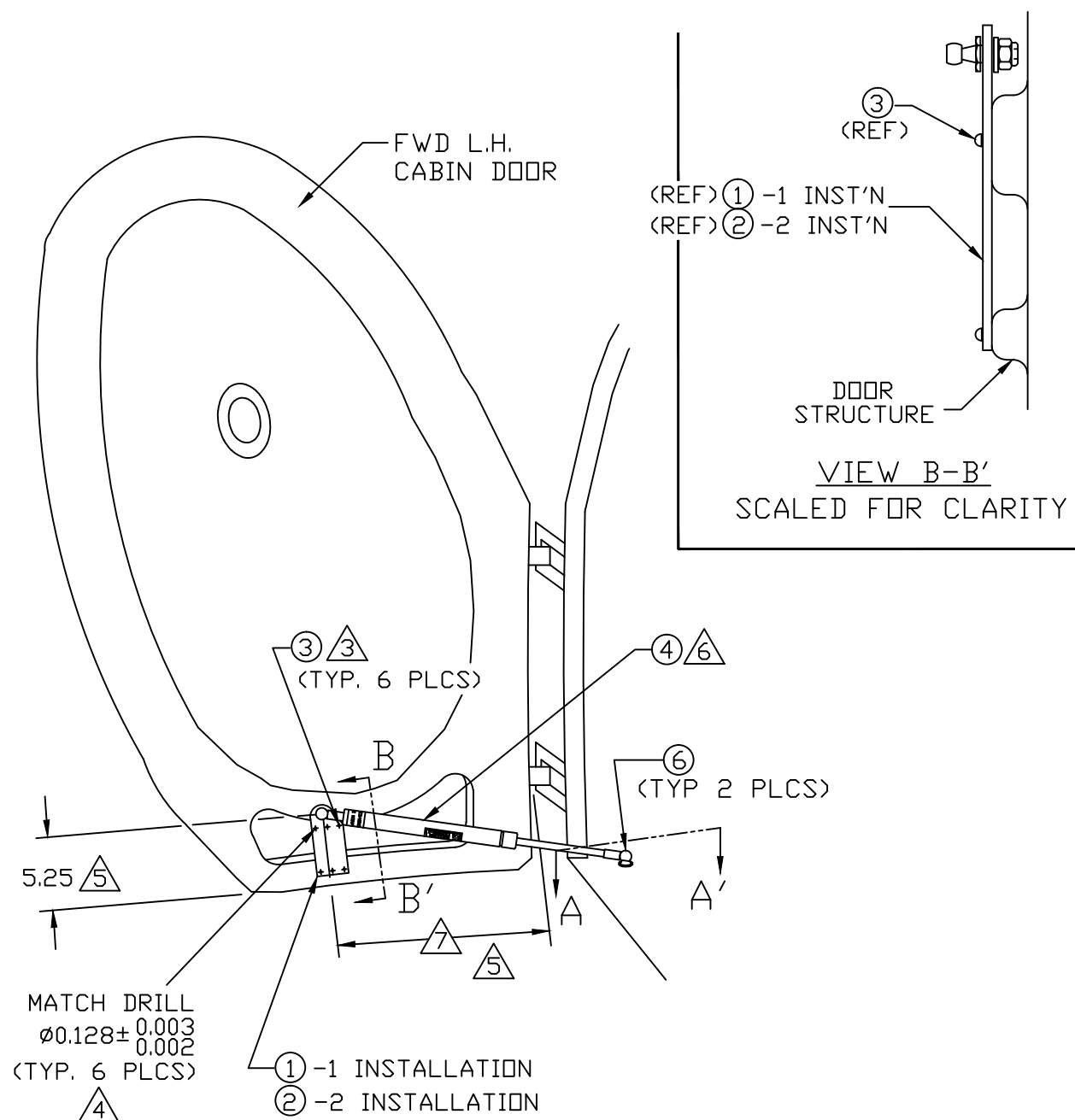


-CONFIDENTIAL INFORMATION-
THE INFORMATION AND DATA CONTAINED HEREIN
IS PROPRIETARY AND IS SUBMITTED IN CONFIDENCE;
AND SHALL NOT BE DISCLOSED, USED OR DUPLICATED
FOR ANY PURPOSE WHATSOEVER WITHOUT THE PRIOR
WRITTEN PERMISSION OF PARAVION TECHNOLOGY, INC.

PROTO
N/C

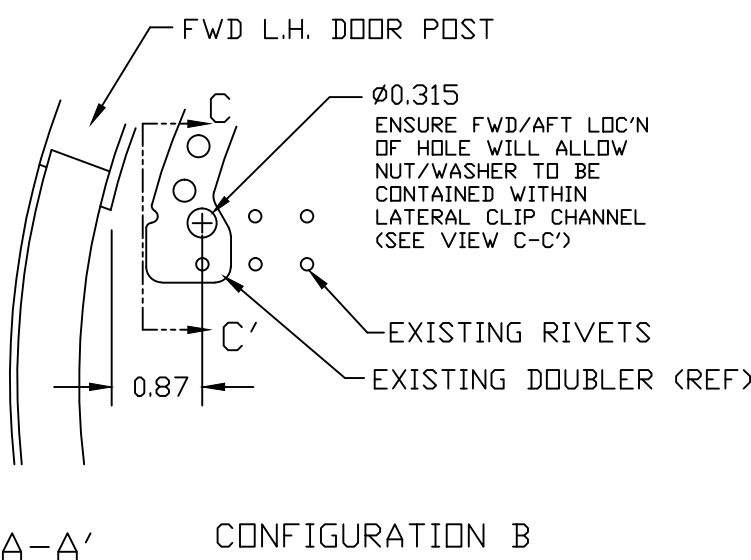
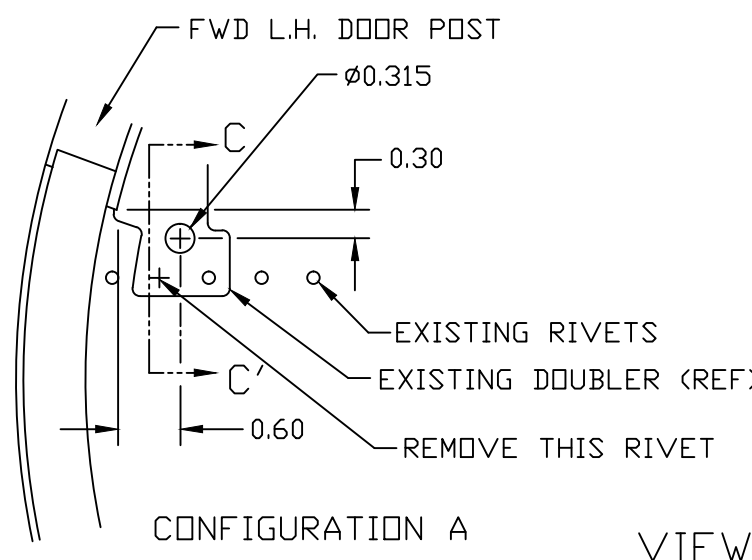
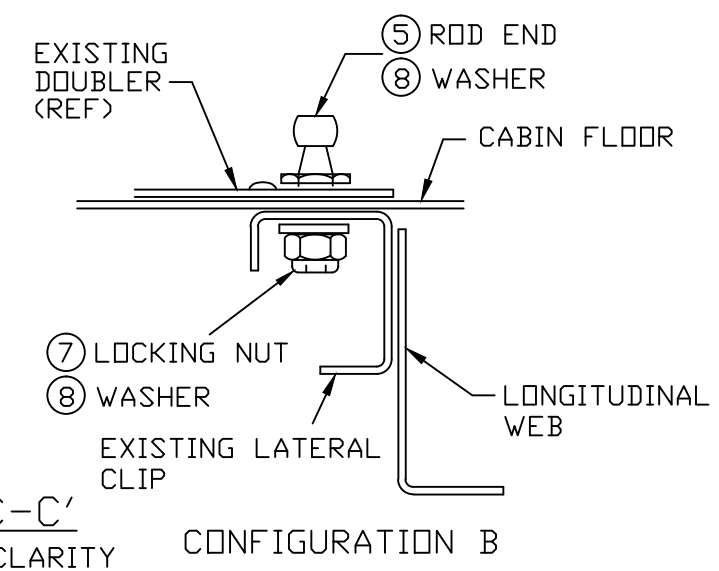
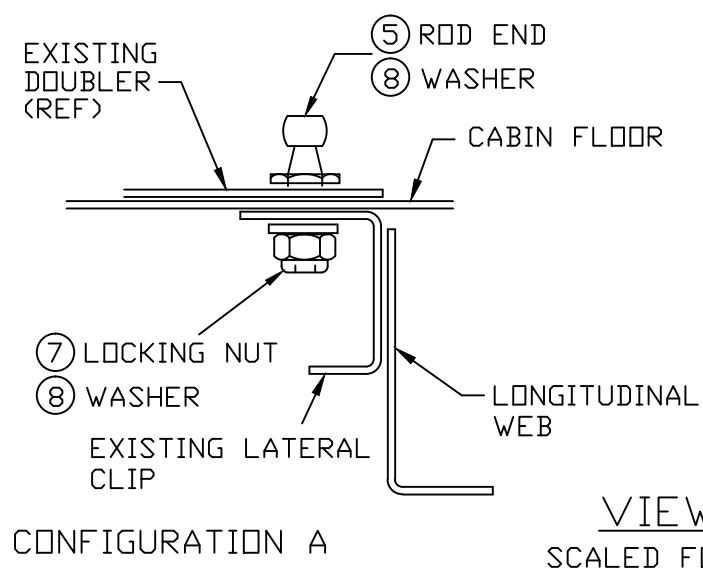
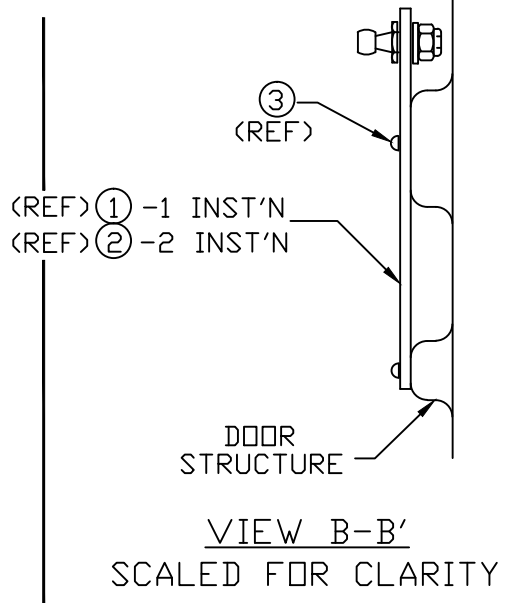
Paravion® Inc. 		TITLE PNEUMATIC DOOR OPENER CONFIGURATION		DRAWING NO. 369PDO-100	
DIMENSIONS IN INCHES TOLERANCES EXCEPT WHERE NOTED:					
DRAWN BY MR ECO	APRVD. BY MR	CHK'D BY LS	DATE 12/08/00	REV N/C	ECO
DO NOT SCALE DRAWING				SHEET 1 OF 1	
© 2000 PARAVION TECH., INC. PARAVION IS A TRADEMARK OF PARAVION TECHNOLOGY, INC.					

- COATING OF FAYING SURFACES BETWEEN THE BRACKET ASSEMBLY OR ROD END AND THE AIRCRAFT IS RECOMMENDED USING MIL-S-8802F CLASS B2 SEALANT OR EQUIV.
- ALTERNATE CR3243-5-4 RIVET. IF THIS RIVET IS USED THE DRILL HOLE SIZE IS $\phi 0.175 \pm 0.002$.
- DRILL THROUGH INNER SKIN OF DOOR ONLY, DO NOT DRILL THROUGH EXTERIOR SKIN OF DOOR.
- MEASURE ALONG SURFACE OF THE DOOR.
- ACTUATOR MUST BE INSTALLED WITH THE CYLINDER END ATTACHED TO THE DOOR AND THE ROD END ATTACHED TO THE FUSELAGE STRUCTURE.
- AIRCRAFT NOT EQUIPPED W/ QUICK RELEASE HINGES, DIM 13.25.
AIRCRAFT EQUIPPED W/ QUICK RELEASE HINGES (P/N 9602-1, SR00409SE), DIM 11.75.



-1 INSTALLATION L.H. (SHOWN)
-2 INSTALLATION R.H. (OPP.)

BREAK ALL SHARP EDGES



SHEET	REV	ECO	DATE	DESCRIPTION	APR	CHK
1	N/C	1	06/11/08	(7) WAS MS20365-518 NUT. VIEW B-B' CRCTN'S: (1)(2)(3) (EA. REF) WERE (3) (REF), (4) (REF), (5). PLACED (2)(3)(6) MARKERS ON FIGS.	REB	LS
1		2	07/28/08	ADDED (7). DIM WAS 13.25.	REB	LS
1		3	09/30/08	REMOVED NOTE 2.	REB	LS
1		4	12/02/09	ADDED CONFIGURATION B, APP'L TO LATER AIRCRAFT.		

-CONFIDENTIAL INFORMATION-
THE INFORMATION AND DATA CONTAINED HEREIN IS PROPRIETARY AND IS SUBMITTED IN CONFIDENCE; AND SHALL NOT BE DISCLOSED, USED OR DUPLICATED FOR ANY PURPOSE WHATSOEVER WITHOUT THE PRIOR WRITTEN PERMISSION OF PARAVION TECHNOLOGY, INC.

PROTO
N/C

Paravion® Inc. Technology		TITLE FORWARD DOOR PDO INSTALLATION		DRAWING NO. 369PDO-110	
DIMENSIONS IN INCHES TOLERANCES EXCEPT WHERE NOTED: .X = ± .1 .XX = ± .05 .XXX = ± .010 ANGLES = ± 1° THREADS: INTERNAL=CLASS 2B EXTERNAL=CLASS 2A		DRAWN BY MR	APRVD. BY MR	CHK'D BY LS	DATE 12/12/00
		DO NOT SCALE DRAWING		REV N/C	ECO 4
		© 2009 PARAVION TECH, INC. PARAVION IS A TRADEMARK OF PARAVION TECHNOLOGY, INC.		SHEET 1 OF 1	

Bill of Materials

*369PDO-110-1, REV. N/C ECO4

ITEM #	P/N	DESCRIPTION	QTY	TYP
0	*369PDO-110-1, REV. N/C ECO4	LEFT FRONT DOOR PDO INST'N	1	KIT
1	07DA-301-1	BRACKET ASSEMBLY	1	EA
3	1624-0411	RIVET	6	EA
4	ES39200-3	ACTUATOR	1	EA
5	ES39201-1	ROD END	1	EA
6	ES39202-1	CLIP	2	EA
7	ES39010-2	NUT (Alt: MS20365-518)	1	EA
8	NAS1149F0532P	WASHER	2	EA

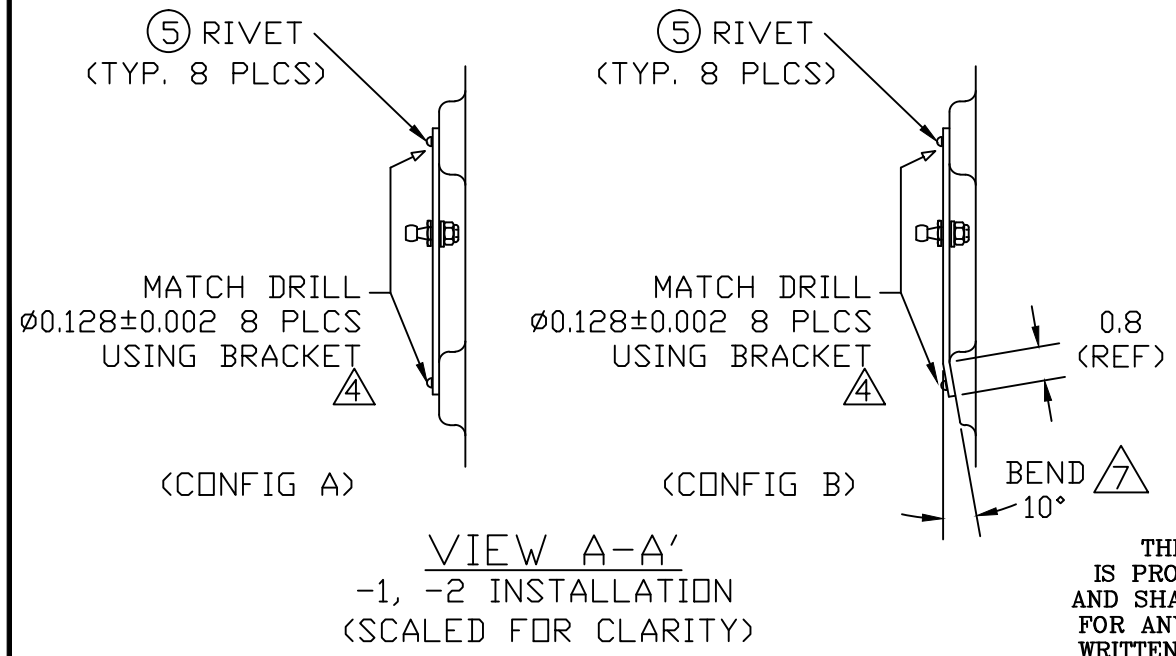
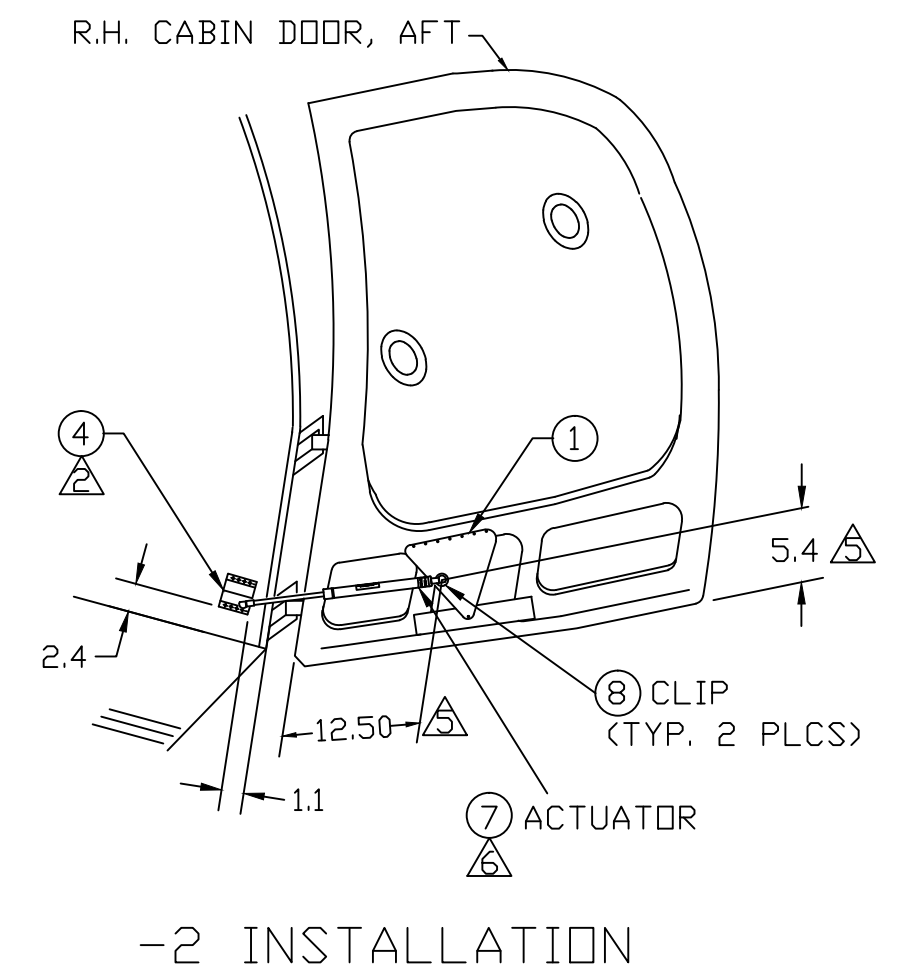
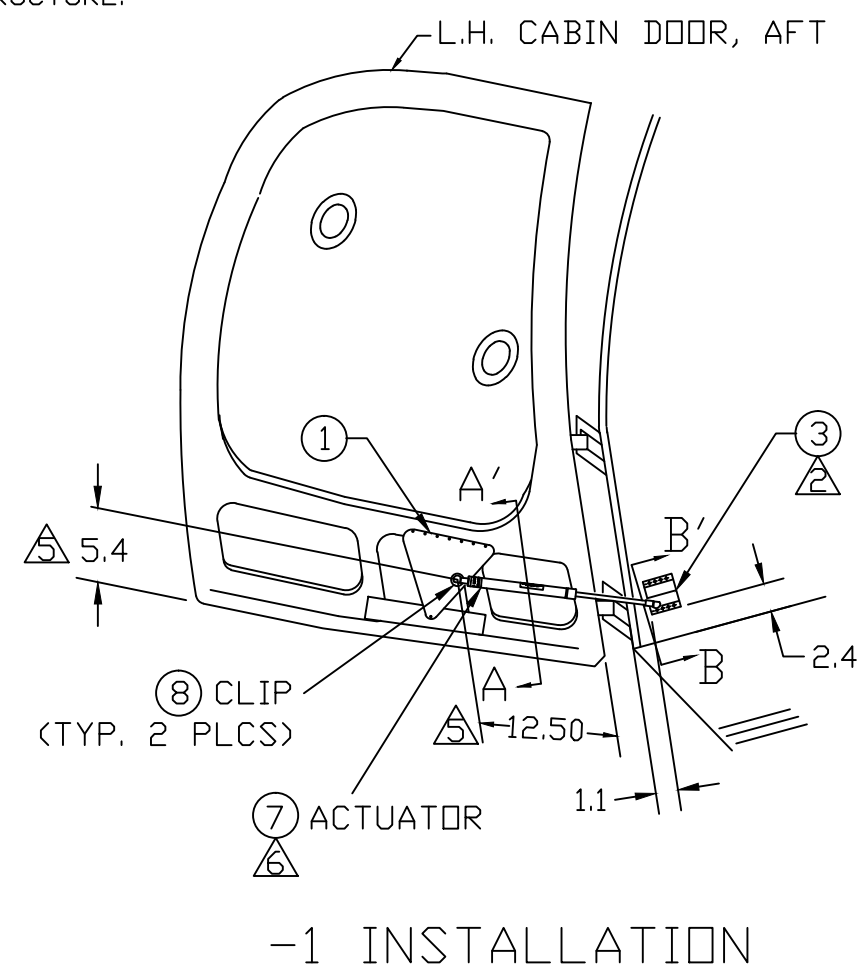
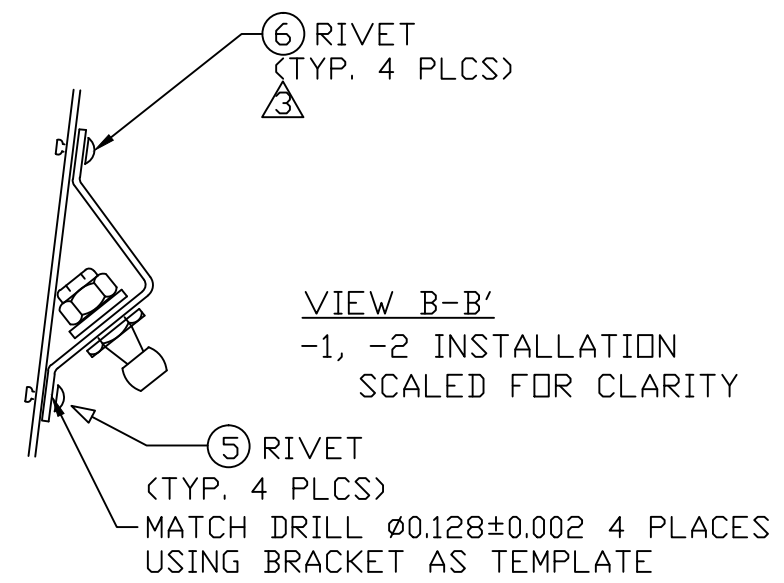
Bill of Materials

*369PDO-110-2, REV. N/C ECO4

ITEM #	P/N	DESCRIPTION	QTY	TYP
0	*369PDO-110-2, REV. N/C ECO4	RIGHT FRONT DOOR PDO INST'N	1	KIT
2	07DA-301-2	BRACKET ASSEMBLY	1	EA
3	1624-0411	RIVET	6	EA
4	ES39200-3	ACTUATOR	1	EA
5	ES39201-1	ROD END	1	EA
6	ES39202-1	CLIP	2	EA
7	ES39010-2	NUT (Alt: MS20365-518)	1	EA
8	NAS1149F0532P	WASHER	2	EA

SHEET	REV	ECO	DATE	DESCRIPTION	APR	CHK
1	N/C	1	04/24/09	WAS VIEW OF -1 INSTN ONLY	REB	LS
1		2	12/04/09	ADDED \triangle , CONFIG B. REPOSITIONED $\textcircled{1}$ TO ACTUAL.		

1. COATING OF FAYING SURFACES BETWEEN THE BRACKET ASSEMBLY OR ROD END AND THE AIRCRAFT IS RECOMMENDED USING MIL-S-8802F CLASS B2 SEALANT OR EQUIVALENT.
- \triangle 2. REMOVE EXISTING FOUR OUTBOARD No. 4 RIVETS AT THIS LOCATION. MATCH DRILL MOUNT BRACKET $\phi 0.128 \pm 0.002$ TO THESE HOLE LOCATIONS.
- \triangle 3. ALTERNATE CR3243-5-4 RIVET. IF THIS RIVET IS USED THE DRILL HOLE SIZE IS $\phi 0.175 \pm 0.002$.
- \triangle 4. DRILL THROUGH INNER SKIN OF DOOR ONLY, DO NOT DRILL THROUGH EXTERIOR SKIN OF DOOR.
- \triangle 5. MEASURE ALONG SURFACE OF THE DOOR.
- \triangle 6. ACTUATOR MUST BE INSTALLED WITH THE CYLINDER END ATTACHED TO THE DOOR AND THE ROD END ATTACHED TO THE FUSELAGE STRUCTURE.
- \triangle 7. BEND TO FIT. MIN BEND R0.188.



-CONFIDENTIAL INFORMATION-
THE INFORMATION AND DATA CONTAINED HEREIN IS PROPRIETARY AND IS SUBMITTED IN CONFIDENCE; AND SHALL NOT BE DISCLOSED, USED OR DUPLICATED FOR ANY PURPOSE WHATSOEVER WITHOUT THE PRIOR WRITTEN PERMISSION OF PARAVION TECHNOLOGY, INC.

PROTO
N/C

Paravion [®] Technology Inc.		TITLE AFT DOOR PDO INSTALLATION		DRAWING NO. 369PDO-120	
DIMENSIONS IN INCHES		DRAWN BY MR	APRVD. BY MR	CHK'D BY LS	DATE 12/08/00
TOLERANCES EXCEPT WHERE NOTED:		REV N/C	ECO 2		
.X = $\pm .1$		DO NOT SCALE DRAWING		SHEET 1 OF 1	
.XX = $\pm .05$		© 2009 PARAVION TECH., INC. PARAVION IS A TRADEMARK OF PARAVION TECHNOLOGY, INC.			
.XXX = $\pm .010$					
ANGLES = $\pm 1^\circ$					

Bill of Materials

*369PDO-120-1, REV. N/C, ECO2

ITEM #	P/N	DESCRIPTION	QTY	TYP
0	*369PDO-120-1, REV. N/C, ECO2	LEFT REAR DOOR PDO INST'N	1	KIT
1	07DA-300-1	BRACKET ASSEMBLY	1	EA
3	07DA-301-3	BRACKET ASSEMBLY	1	EA
5	1624-0411	RIVET	12	EA
6	CR3243-4-4	RIVET	4	EA
7	ES39200-1	ACTUATOR	1	EA
8	ES39202-1	CLIP	2	EA

Bill of Materials

*369PDO-120-2, REV. N/C, ECO2

ITEM #	P/N	DESCRIPTION	QTY	TYP
0	*369PDO-120-2, REV. N/C, ECO2	RIGHT REAR DOOR PDO INST'N	1	KIT
2	07DA-300-2	BRACKET ASSEMBLY	1	EA
4	07DA-301-4	BRACKET ASSEMBLY	1	EA
5	1624-0411	RIVET	12	EA
6	CR3243-4-4	RIVET	4	EA
7	ES39200-1	ACTUATOR	1	EA
8	ES39202-1	CLIP	2	EA