

INSTALLATION	WEIGHT (LBS)	F.S. (IN.)	B.L. (IN.)
407PDO-110-1	1.25	51.5	26 LBL
407PDO-110-2	1.25	51.5	26 RBL
407PDO-121-1	1.25	109.0	29 LBL
407PDO-122-1	1.25	109.0	29 RBL
407PDO-150-1	1.25	161.0	25 LBL

ECO	SHEET	REV	DATE	DESCRIPTION	APR

407PDO-110-2 FORWARD DOOR
PDO INSTALLATION

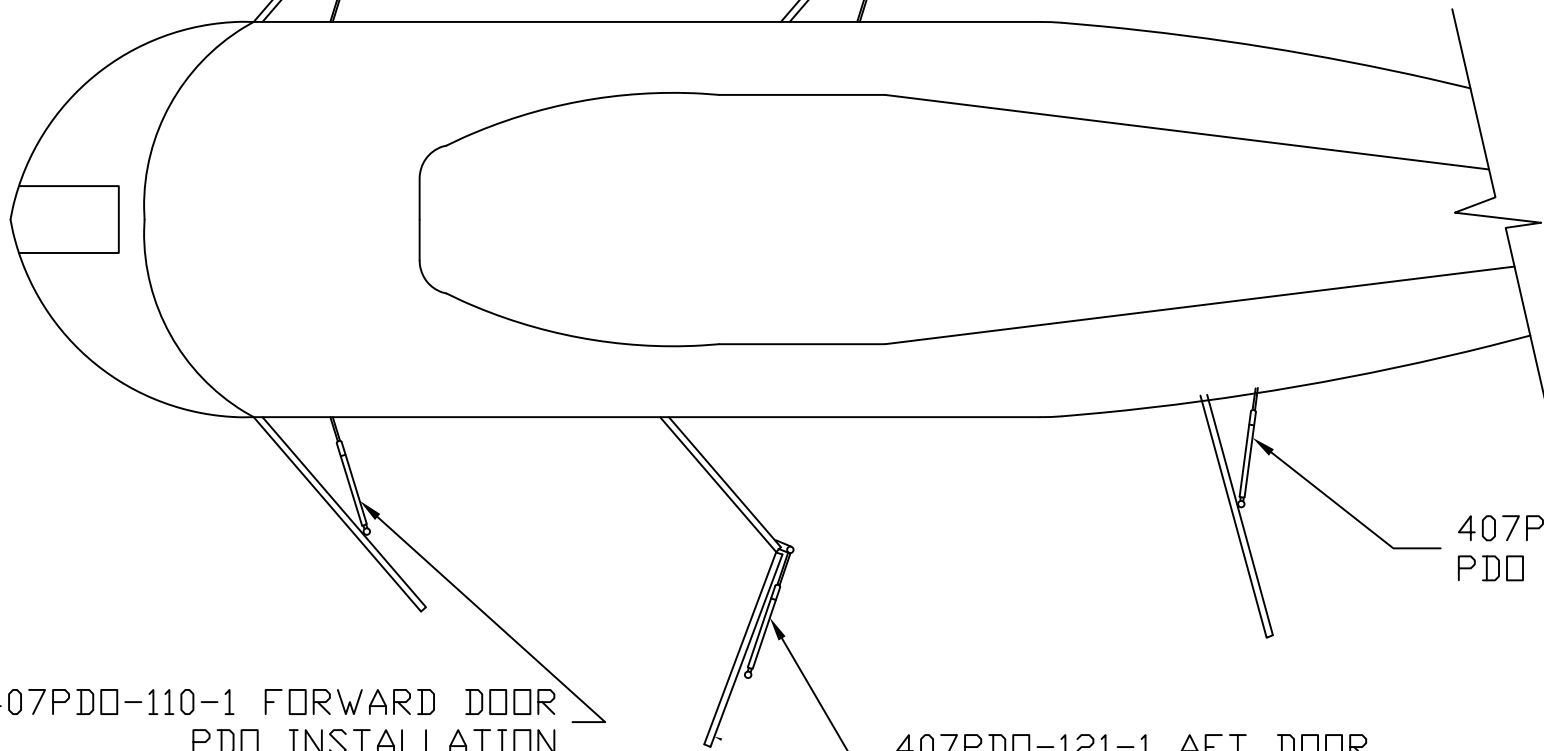
407PDO-122-1 AFT DOOR
PDO INSTALLATION

407 INSTALLATIONS

407PDO-150-1 BAGGAGE DOOR
PDO INSTALLATION

407PDO-110-1 FORWARD DOOR
PDO INSTALLATION

407PDO-121-1 AFT DOOR
PDO INSTALLATION



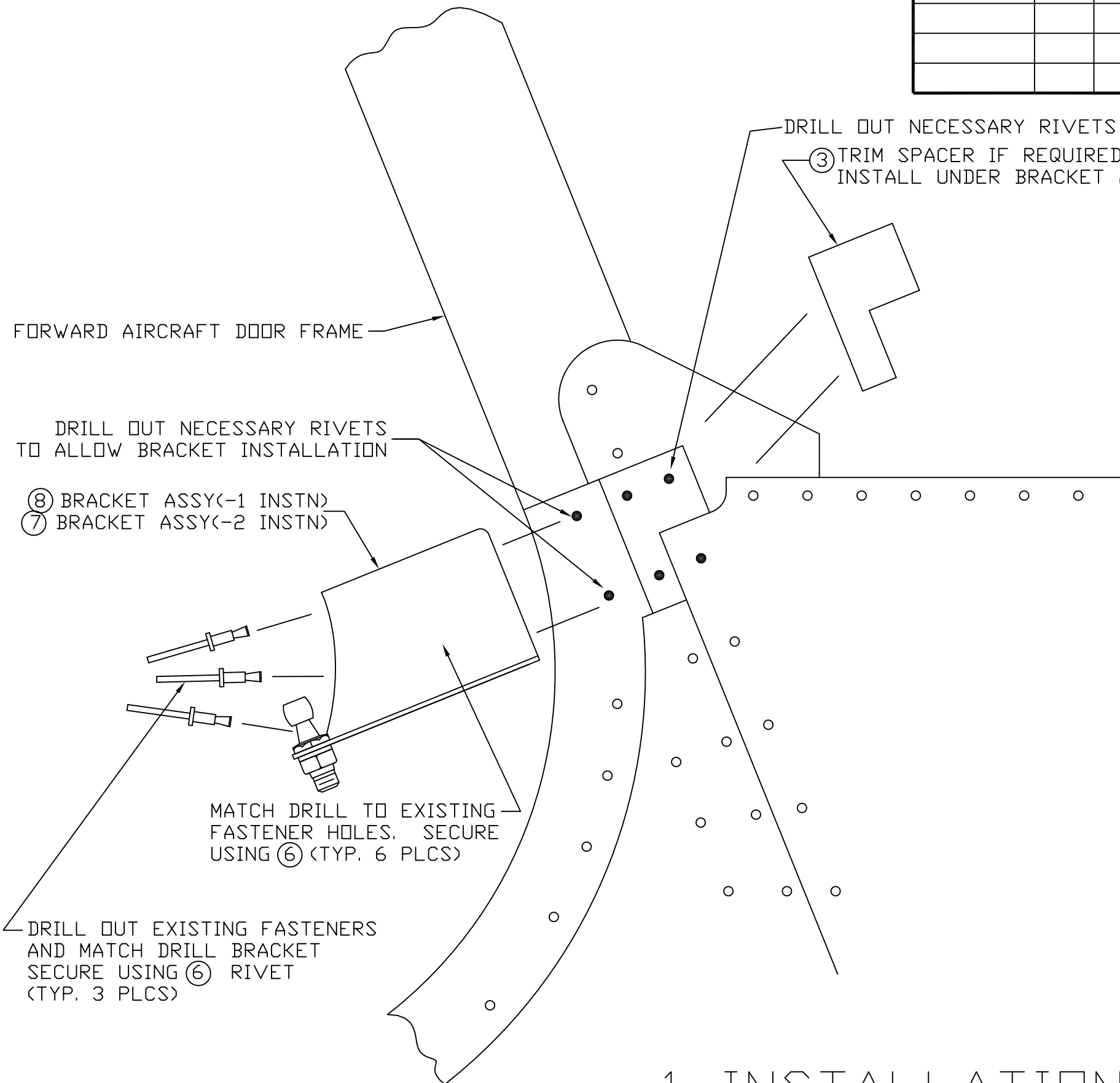
Paravion® Inc. ✓Technology		TITLE PNEUMATIC DOOR OPENER CONFIGURATION			DRAWING NO. 407PDO-100	
DIMENSIONS IN INCHES		DRAWN BY	APRVD. BY	CHK'D BY	DATE	REV N/C
TOLERANCES EXCEPT WHERE NOTED:		RHSM	REB	LS	10/22/97	ECO
.X = ± .1		DO NOT SCALE DRAWING				SHEET 1 OF 1
.XX = ± .05		© 1997 PARAVION TECH., INC. PARAVION IS A TRADEMARK OF PARAVION TECHNOLOGY, INC.				
.XXX = ± .010						
ANGLES = ± 1°						

Bill of Materials

*407PDO-100-1 REV. N/C

ITEM #	P/N	DESCRIPTION	QTY	TYP
0	*407PDO-100-1 REV. N/C	PNEUMATIC DOOR OPENER CONFIGURATION	1	KIT
1	407PDO-110-1	LEFT FRONT PDO KIT	1	EA
2	407PDO-110-2	RIGHT FRONT PDO KIT	1	EA
3	407PDO-121-1	LEFT REAR PDO KIT	1	EA
4	407PDO-122-1	RIGHT REAR PDO KIT	1	EA
5	407PDO-150-1	BAGGAGE COMPARTMENT PDO KIT	1	EA

SHEET	REV	ECO	DATE	DESCRIPTION	BY	APR	CHK
1	A		07/24/07	PANEL VARIATION MAY REQUIRE (3) TRIM	REB		



DRILL OUT NECESSARY RIVETS TO ALLOW SPACER INSTALLATION.

(3) TRIM SPACER IF REQUIRED.
INSTALL UNDER BRACKET ASSEMBLY

FORWARD AIRCRAFT DOOR FRAME

DRILL OUT NECESSARY RIVETS TO ALLOW BRACKET INSTALLATION

(8) BRACKET ASSY(-1 INSTN)
(7) BRACKET ASSY(-2 INSTN)

MATCH DRILL TO EXISTING FASTENER HOLES. SECURE USING (6) (TYP. 6 PLCS)

DRILL OUT EXISTING FASTENERS AND MATCH DRILL BRACKET SECURE USING (6) RIVET (TYP. 3 PLCS)

NOTE: COAT ENTIRE CONTACTING SURFACES OF BRACKET ASSEMBLIES WITH MIL-S-8802F CLASS B2 SEALANT OR EQUIVALENT

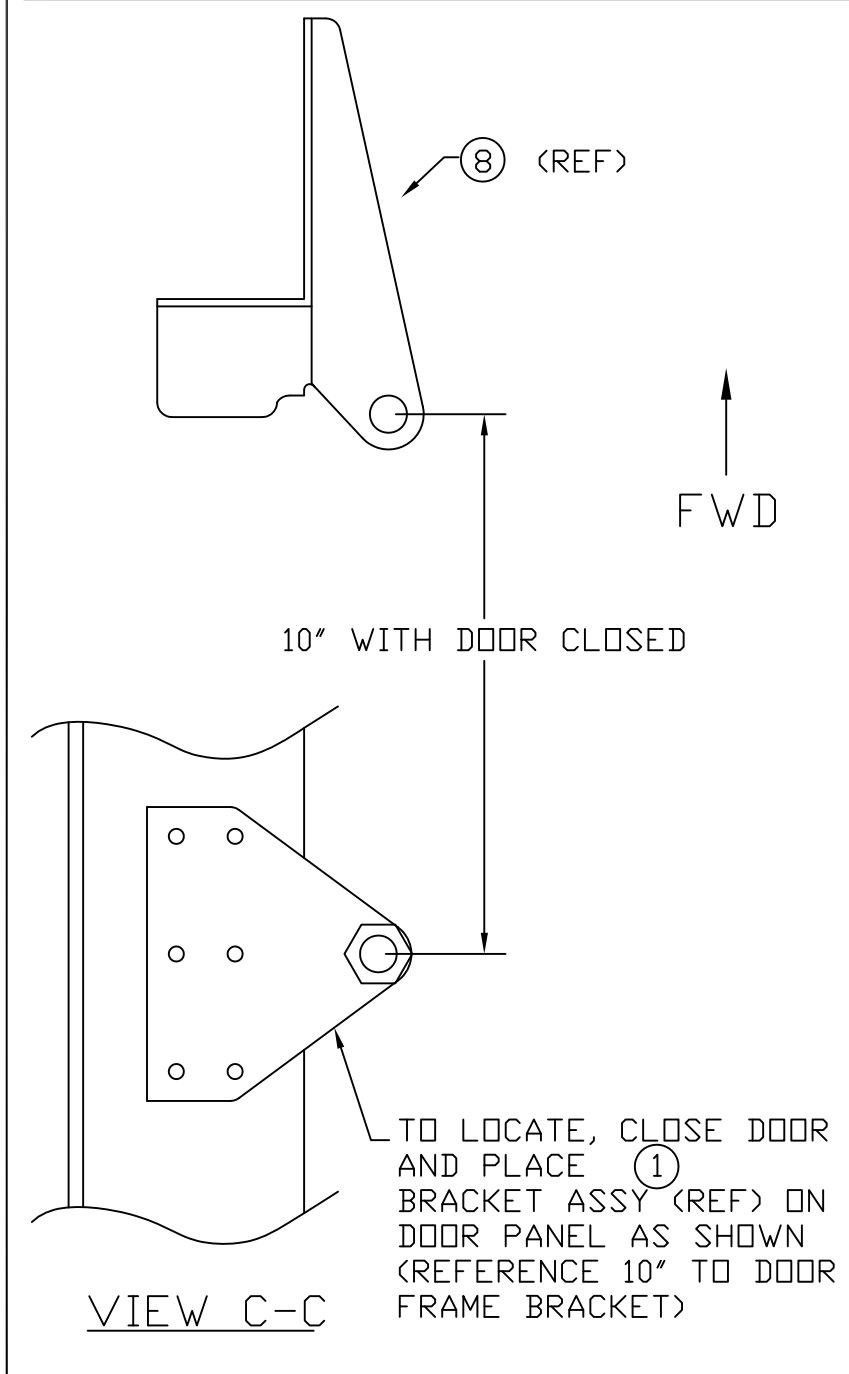
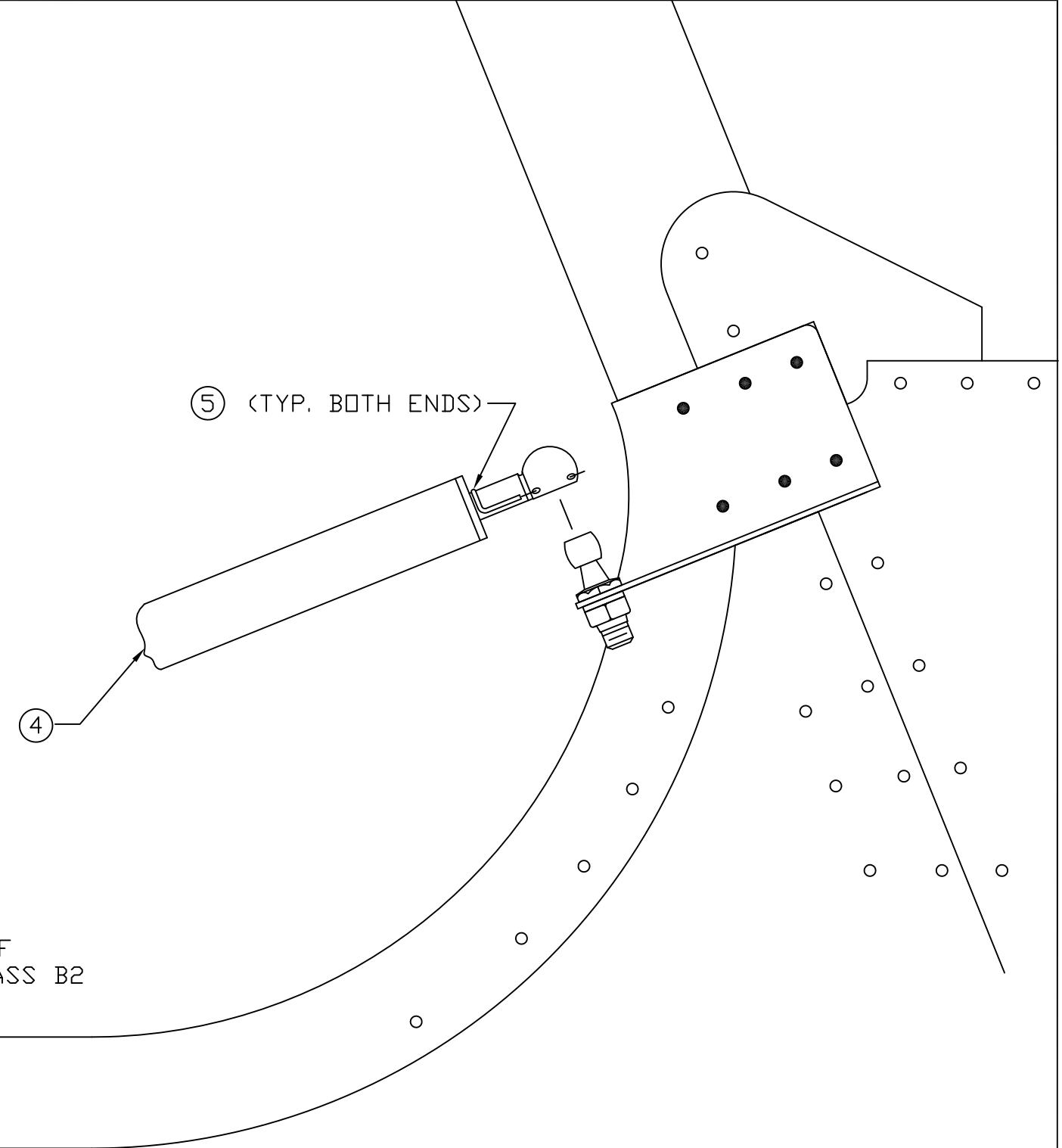
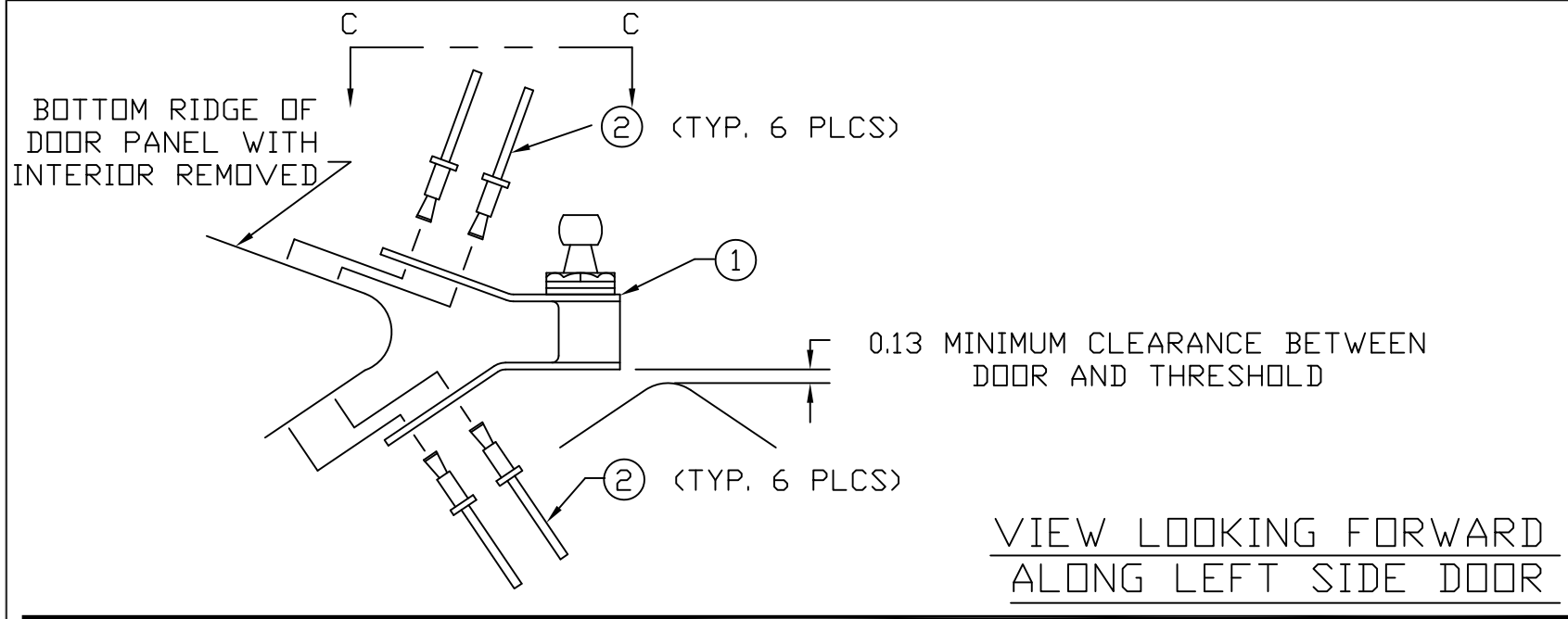
FWD →

VIEW LOOKING OUTBOARD AT LEFT SIDE DOOR FRAME LOWER FORWARD CORNER

-1 INSTALLATION

(-2 INSTALLATION IS OPPOSITE AND PLACED ON RIGHT SIDE DOOR FRAME)

Paravion^R Inc. 	TITLE				DRAWING NO.	
	FORWARD DOOR PDD INSTALLATION				407PDD-110	
DIMENSIONS IN INCHES						
TOLERANCES EXCEPT WHERE NOTED:						
.X	= ± .1					
.XX	= ± .05					
.XXX	= ± .010					
ANGLES = ± 1°						
DRAWN BY	APRVD. BY	CHK'D BY	DATE	REV	ECO	
RHSM	REB	LS	10/22/97	A		
DO NOT SCALE DRAWING						
© 1997 PARAVION TECH., INC. PARAVION IS A TRADEMARK OF PARAVION TECHNOLOGY, INC.						SHEET
						1 OF 2



NOTE: COAT ENTIRE CONTACTING SURFACES OF BRACKET ASSEMBLIES WITH MIL-S-8802F CLASS B2 SEALANT OR EQUIVALENT

-1 INSTALLATION
 (-2 INSTALLATION IS OPPOSITE AND PLACED ON RIGHT SIDE DOOR)

Paravion^R Inc. Technology	TITLE FORWARD DOOR PDO INSTALLATION				DRAWING NO. 407PDO-110	
	DIMENSIONS IN INCHES					
TOLERANCES EXCEPT WHERE NOTED: .X = ± .1 .XX = ± .05 .XXX = ± .010 ANGLES = ± 1°						
DRAWN BY RHSM	APRVD. BY REB	CHK'D BY LS	DATE 10/22/97	REV N/C	ECO	
DO NOT SCALE DRAWING					SHEET 2 OF 2	
© 1997 PARAVION TECH., INC. PARAVION IS A TRADEMARK OF PARAVION TECHNOLOGY, INC.						

Bill of Materials

*407PDO-110-1, REV. A

ITEM #	P/N	DESCRIPTION	QTY	TYP
0	*407PDO-110-1, REV. A	LEFT FRONT PDO KIT	1	KIT
1	206DC-2330-1	BRACKET ASSEMBLY	1	EA.
2	CR3553-4-3	RIVET (EQUIV. TO: NAS9310M-4-03)	12	EA.
3	407PDO-2010-1	SPACER	1	EA.
4	ES39200-2	ACTUATOR	1	EA.
5	ES39202-1	CLIP	2	EA.
6	CR3553-4-6	RIVET (EQUIV. TO: NAS9310M-4-06)	9	EA.
8	407PDO-2000-1	BRACKET ASSEMBLY	1	EA.

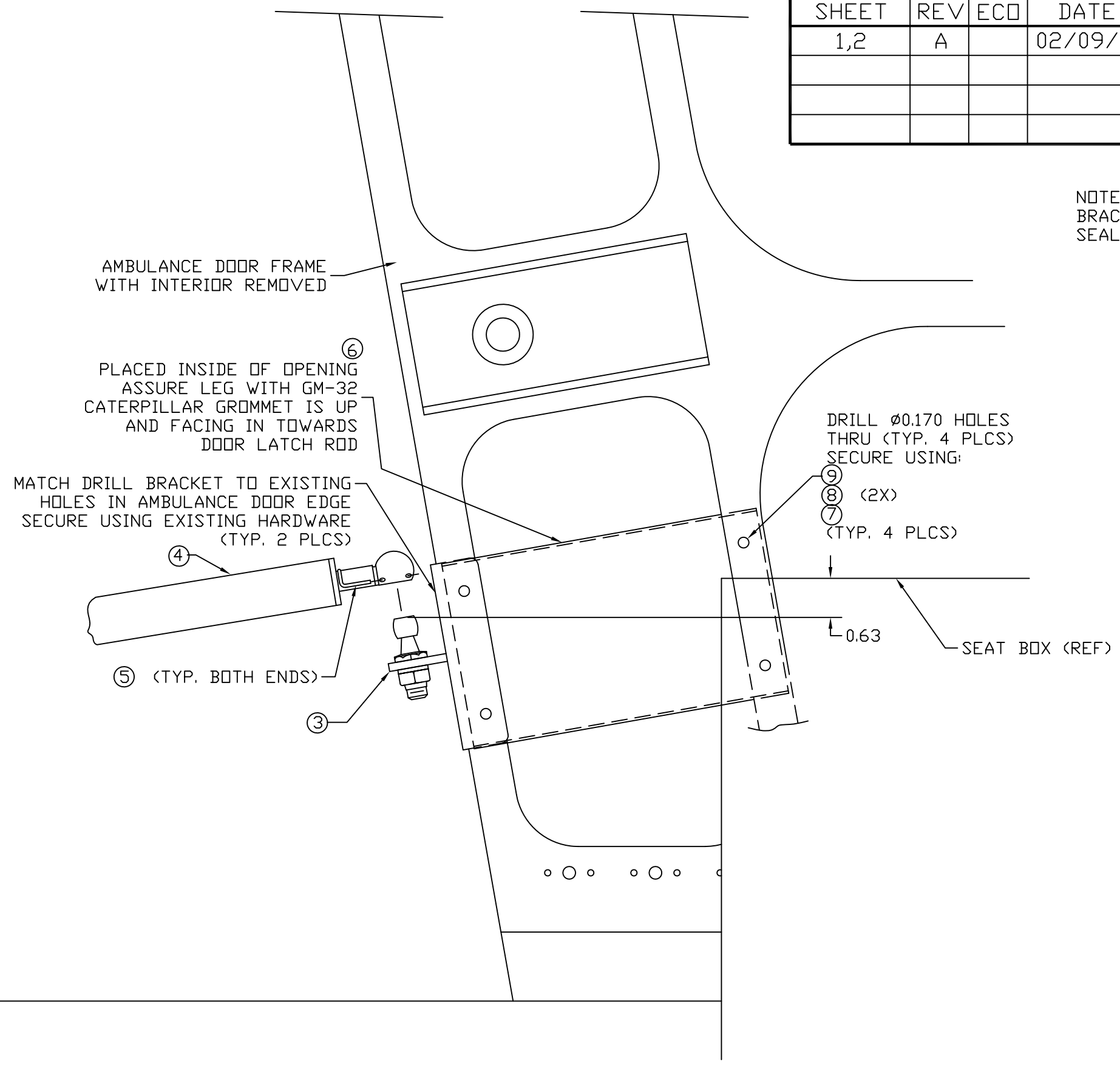
Bill of Materials

*407PDO-110-2, REV. A

ITEM #	P/N	DESCRIPTION	QTY	TYP
0	*407PDO-110-2, REV. A	RIGHT FRONT PDO KIT	1	KIT
1	206DC-2330-1	BRACKET ASSEMBLY	1	EA.
2	CR3553-4-3	RIVET (EQUIV. TO: NAS9310M-4-03)	12	EA.
3	407PDO-2010-1	SPACER	1	EA.
4	ES39200-2	ACTUATOR	1	EA.
5	ES39202-1	CLIP	2	EA.
6	CR3553-4-6	RIVET (EQUIV. TO: NAS9310M-4-06)	9	EA.
7	407PDO-2000-2	SUPPORT BRACKET ASSEMBLY	1	EA.

SHEET	REV	ECO	DATE	DESCRIPTION	BY	APR	CHK
1,2	A		02/09/2012	Ø0.144 (#27 DRILL) WAS Ø0.128	REB		

NOTE: COAT ENTIRE CONTACTING SURFACES OF BRACKET ASSEMBLIES WITH MIL-S-8802F CLASS B2 SEALANT OR EQUIVALENT

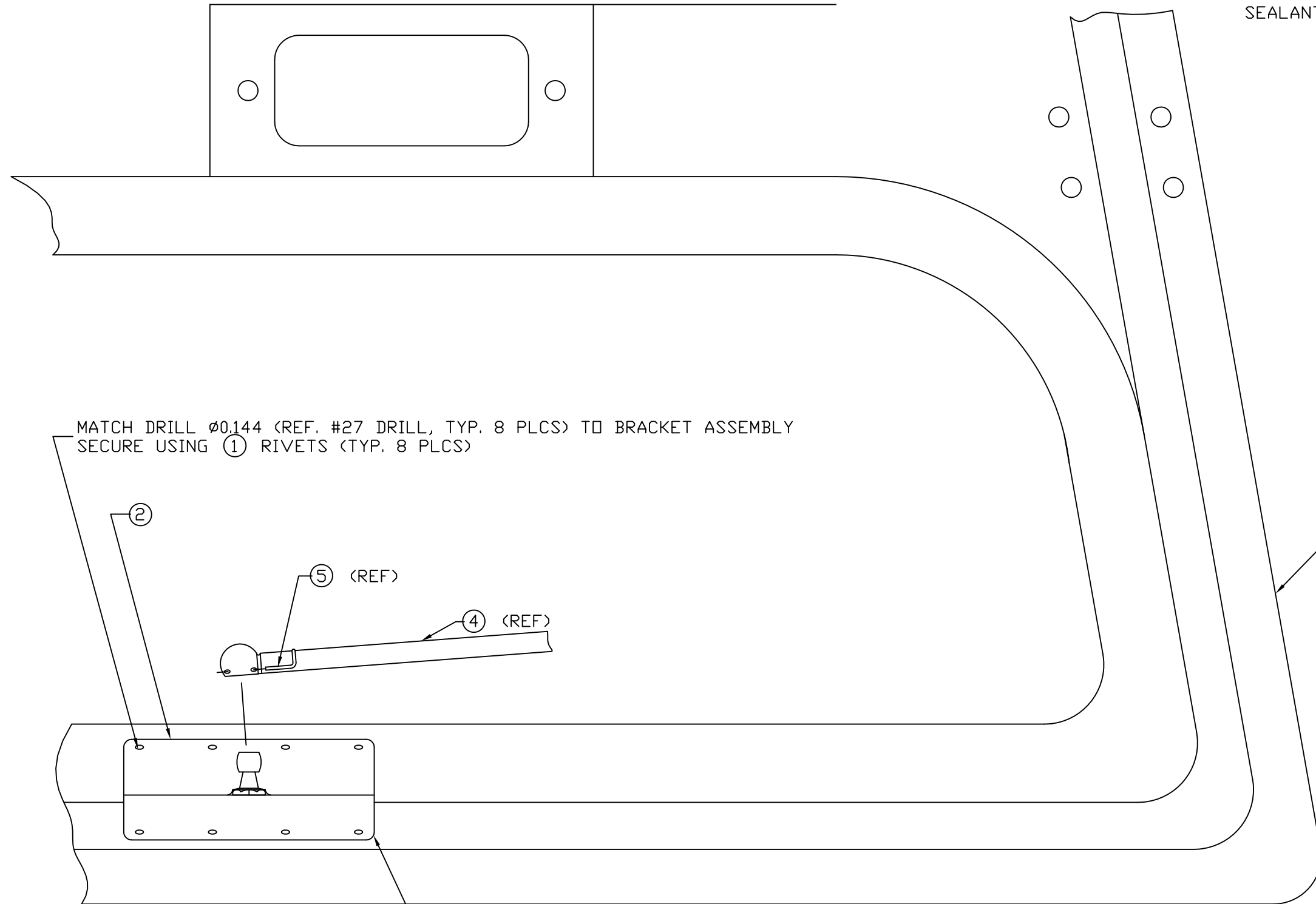


-1 INSTALLATION

VIEW LOOKING OUTBOARD AT LEFT SIDE AMBULANCE DOOR FRAME

Paravion® Inc. Technology		TITLE AFT DOOR PDD INSTALLATION			DRAWING NO. 407PDD-121		
DIMENSIONS IN INCHES		DRAWN BY	APRVD. BY	CHK'D BY	DATE	REV	ECO
TOLERANCES EXCEPT WHERE NOTED:		RHSM	REB	LS	10/22/97	A	
.X = ± .1		DO NOT SCALE DRAWING					SHEET
.XX = ± .05		© 1997 PARAVION TECH., INC.					1 OF 2
.XXX = ± .010		PARAVION IS A TRADEMARK OF PARAVION TECHNOLOGY, INC.					
ANGLES = ± 1°							

NOTE: COAT ENTIRE CONTACTING SURFACES OF
BRACKET ASSEMBLIES WITH MIL-S-8802F CLASS B2
SEALANT OR EQUIVALENT



MATCH DRILL $\varnothing 0.144$ (REF. #27 DRILL, TYP. 8 PLCS) TO BRACKET ASSEMBLY
SECURE USING ① RIVETS (TYP. 8 PLCS)

FWD →

LEFT SIDE AFT DOOR WITH
INTERIOR PANELS REMOVED

PLACE BRACKET ASSEMBLY ON DOOR RIDGE
REFER TO INSTALLATION INSTRUCTIONS FOR MEASUREMENT

-1 INSTALLATION

VIEW LOOKING OUTBOARD
AT LEFT SIDE AFT DOOR

Paravion® Inc. 		TITLE AFT DOOR PDO INSTALLATION			DRAWING NO. 407PDO-121	
DIMENSIONS IN INCHES TOLERANCES EXCEPT WHERE NOTED: .X = ± .1 .XX = ± .05 .XXX = ± .010 ANGLES = ± 1°		DRAWN BY RHSM	APRVD. BY REB	CHK'D BY LS	DATE 10/22/97	REV A
DO NOT SCALE DRAWING						SHEET 2 OF 2
© 1997 PARAVION TECH., INC. PARAVION IS A TRADEMARK OF PARAVION TECHNOLOGY, INC.						

Bill of Materials

*407PDO-121-1, REV. A

ITEM #	P/N	DESCRIPTION	QTY	TYP
0	*407PDO-121-1, REV. A	LEFT REAR PDO KIT	1	KIT
1	CR3553-4-3	RIVET (EQUIV. TO: NAS9310M-4-03)	8	EA.
2	407PDO-2200-1	BRACKET ASSEMBLY	1	EA.
3	407PDO-2100-1	BRACKET ASSEMBLY	1	EA.
4	ES39200-9	ACTUATOR	1	EA.
5	ES39202-1	CLIP	2	EA.
6	407PDO-2110-1	CHANNEL	1	EA.
7	AN526C8R8	SCREW	4	EA.
8	NAS1149CN816R	WASHER	8	EA.
9	MS20364-832	NUT (ALT: AN364-832)	4	EA.

SHEET	REV	ECO	DATE	DESCRIPTION	BY	CHK	APR
1,2	A		02/09/2012	Ø0.144 (#27 DRILL) WAS Ø0.128	REB		

DRILL OUT NECESSARY RIVETS, MATCH DRILL BRACKET Ø0.144 TO RIVET HOLES. ADD HOLES AS NECESSARY AND SECURE USING (4) (TYP. 6 PLCS)

NOTE: COAT ENTIRE CONTACTING SURFACES OF BRACKET ASSEMBLIES WITH MIL-S-8802F CLASS B2 SEALANT OR EQUIVALENT

AFT DOOR FRAME WITH INTERIOR REMOVED

← FWD

-1 INSTALLATION

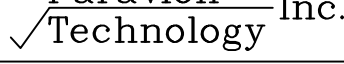
SEAT BOX (REF)

0.25 (REF)

(5) (TYP. BOTH ENDS)

DRILL OUT NECESSARY RIVETS, MATCH DRILL BRACKET Ø0.144 TO RIVET HOLES, AND SECURE USING (3) (TYP. 4 PLCS)

VIEW LOOKING OUTBOARD AT RIGHT SIDE AFT DOOR FRAME

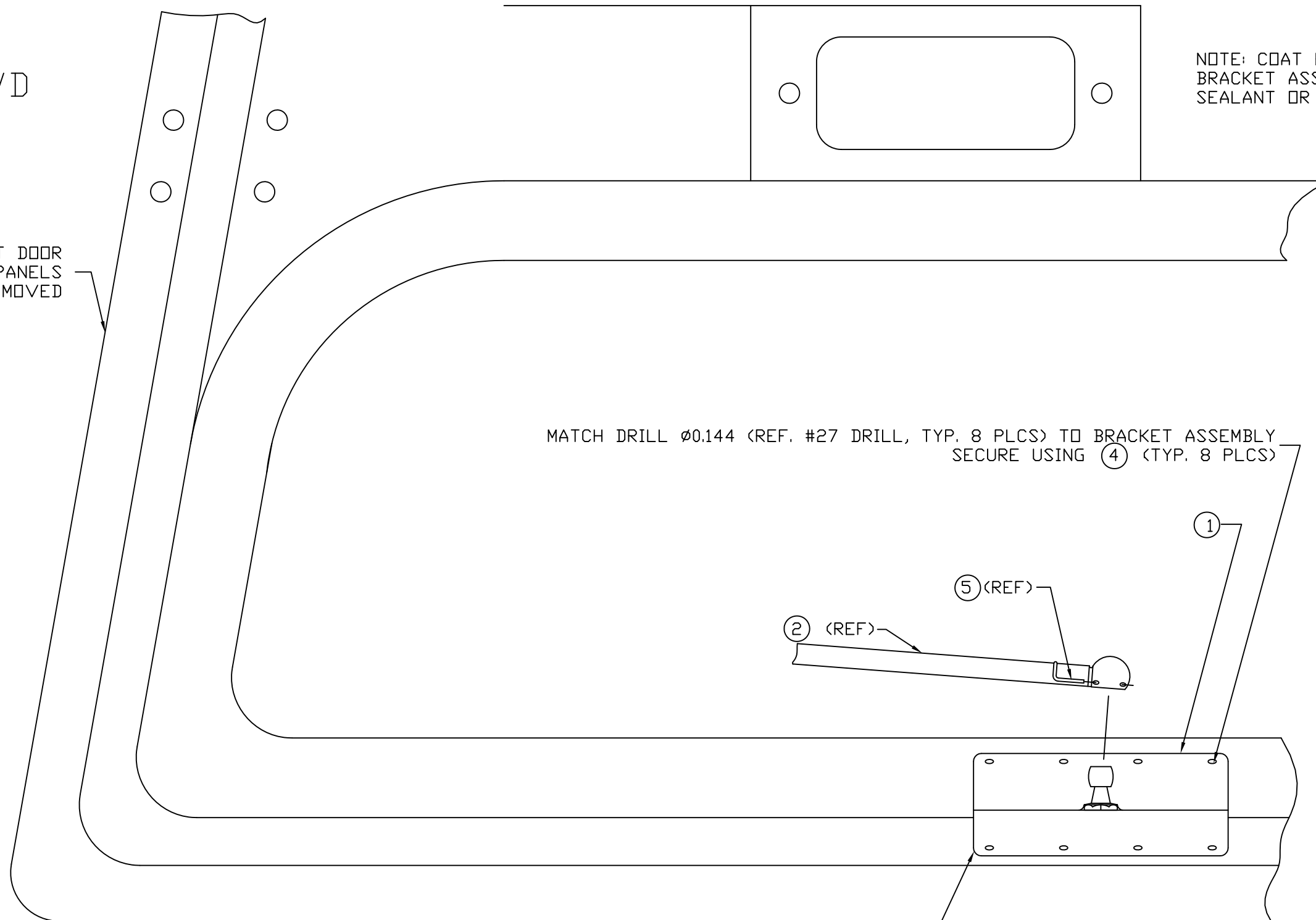
Paravion® Inc. 	TITLE		DRAWING NO.			
	AFT DOOR PDD INSTALLATION		407PDD-122			
DIMENSIONS IN INCHES TOLERANCES EXCEPT WHERE NOTED: .X = ± .1 .XX = ± .05 .XXX = ± .010 ANGLES = ± 1°	DRAWN BY	APRVD. BY	CHK'D BY	DATE	REV	ECO
	RHSM	REB	LS	10/22/97	A	
	DO NOT SCALE DRAWING					SHEET
© 1997 PARAVION TECH., INC. PARAVION IS A TRADEMARK OF PARAVION TECHNOLOGY, INC.					1 OF 2	

← FWD

NOTE: COAT ENTIRE CONTACTING SURFACES OF
BRACKET ASSEMBLIES WITH MIL-S-8802F CLASS B2
SEALANT OR EQUIVALENT

LEFT SIDE AFT DOOR
WITH INTERIOR PANELS
REMOVED

MATCH DRILL $\varnothing 0.144$ (REF. #27 DRILL, TYP. 8 PLCS) TO BRACKET ASSEMBLY
SECURE USING (4) (TYP. 8 PLCS)



PLACE BRACKET ASSEMBLY ON DOOR RIDGE
REFER TO INSTALLATION INSTRUCTIONS FOR MEASUREMENT

-1 INSTALLATION

VIEW LOOKING OUTBOARD
AT RIGHT SIDE AFT DOOR

		TITLE AFT DOOR PDO INSTALLATION			DRAWING NO. 407PDO-122	
DIMENSIONS IN INCHES TOLERANCES EXCEPT WHERE NOTED: .X = $\pm .1$.XX = $\pm .05$.XXX = $\pm .010$ ANGLES = $\pm 1^\circ$		DRAWN BY RHSM	APRVD. BY REB	CHK'D BY LS	DATE 10/22/97	REV A
		DO NOT SCALE DRAWING				SHEET 2 OF 2
		© 1997 PARAVION TECH., INC. PARAVION IS A TRADEMARK OF PARAVION TECHNOLOGY, INC.				

Bill of Materials

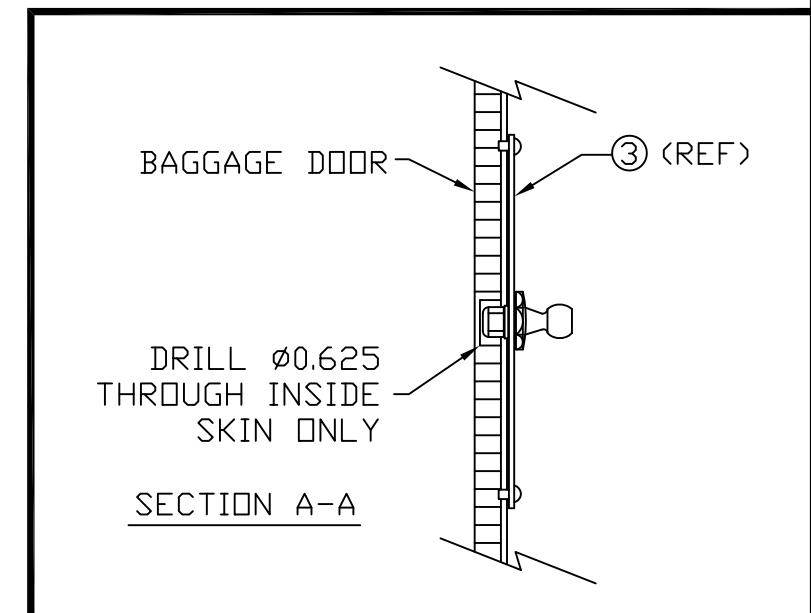
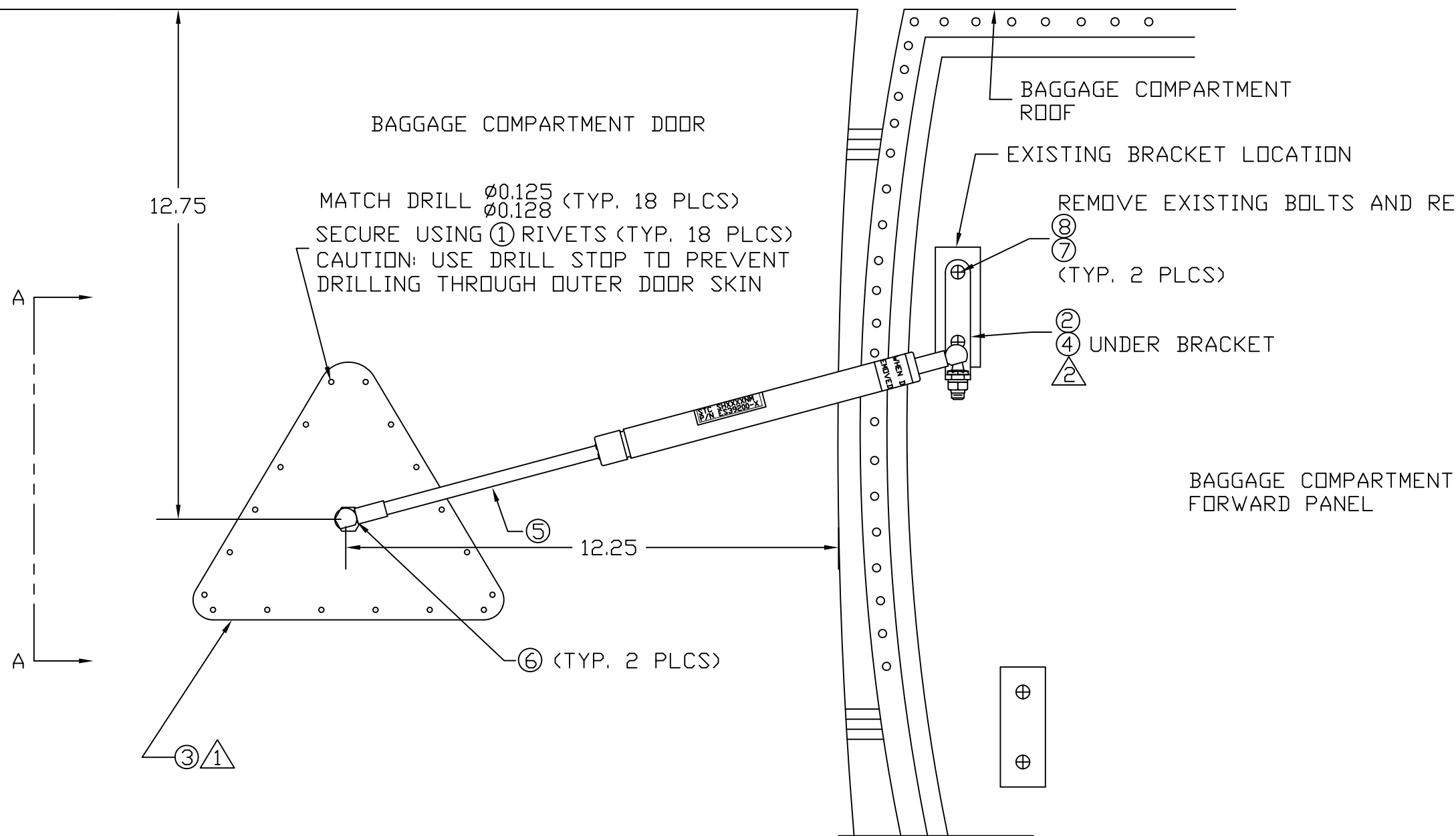
*407PDO-122-1, REV. A

ITEM #	P/N	DESCRIPTION	QTY	TYP
0	*407PDO-122-1, REV. A	RIGHT REAR PDO KIT	1	KIT
1	407PDO-2200-1	BRACKET ASSEMBLY	1	EA.
2	ES39200-9	ACTUATOR	1	EA.
3	CR3553-4-5	RIVET (EQUIV. TO: NAS9310M-4-05)	4	EA.
4	CR3553-4-3	RIVET (EQUIV. TO: NAS9310M-4-03)	14	EA.
5	ES39202-1	CLIP	2	EA.
6	407PDO-2100-2	BRACKET ASSEMBLY	1	EA.

① SEAL FAYING CONTACTING SURFACES USING MIL-S-8802F CLASS B2 SEALANT OR EQUIVALENT

②④ SPACER IS NOT USED IF AUXILIARY FUEL TANK KIT IS INSTALLED.

SHEET	REV	ECO	DATE	DESCRIPTION	APR	APR	CHK
1	A		07/21/00	REORDERED BOM, CLARIFIED NOTE 1, DRILL $\phi 0.128$ WAS ± 0.010 DEFAULT		MR	LS
1			02/09/2012	MATCH DRILL $\phi 0.125$ WAS $\phi 0.128^{+0.003}_{-0.002}$	REB		



-1 INSTALLATION

(VIEW LOOKING FORWARD AT BAGGAGE COMPARTMENT)

BREAK ALL SHARP EDGES

—CONFIDENTIAL INFORMATION—
 THE INFORMATION AND DATA CONTAINED HEREIN IS PROPRIETARY AND IS SUBMITTED IN CONFIDENCE; AND SHALL NOT BE DISCLOSED, USED OR DUPLICATED FOR ANY PURPOSE WHATSOEVER WITHOUT THE PRIOR WRITTEN PERMISSION OF PARAVION TECHNOLOGY, INC.

PROTO
 N/C

		TITLE BAGGAGE DOOR PDD INSTALLATION		DRAWING NO. 407PDD-150	
DIMENSIONS IN INCHES TOLERANCES EXCEPT WHERE NOTED:					
.X = $\pm .1$.XX = $\pm .05$.XXX = $\pm .010$.X = $\pm .1$.XX = $\pm .05$.XXX = $\pm .010$	ANGLE = $\pm 1^\circ$	DRAWN BY RHSM	APRVD. BY REB	CHK'D BY LS
			DATE 10/22/97	REV A	ECO
DO NOT SCALE DRAWING					SHEET 1 OF 1
© 2000 PARAVION TECH., INC. PARAVION IS A TRADEMARK OF PARAVION TECHNOLOGY, INC.					

Bill of Materials

*407PDO-150-1, REV. A

ITEM #	P/N	DESCRIPTION	QTY	TYP
0	*407PDO-150-1, REV. A	BAGGAGE PDO KIT	1	KIT
1	1624-0411	RIVET	18	EA.
2	407PDO-2500-1	BRACKET ASSEMBLY	1	EA.
3	407PDO-2510-1	BRACKET ASSEMBLY	1	EA.
4	407PDO-2515-1	SPACER	1	EA.
5	ES39200-3	ACTUATOR	1	EA.
6	ES39202-1	CLIP	2	EA.
7	NAS1149F0363P	WASHER	2	EA.
8	NAS6603-6	BOLT	2	EA.
