

INSTALLATION INSTRUCTIONS

SHEET	REV	ECO	DATE	DESCRIPTION	BY	APR	CHK
1,2	A	-	07/13/2000	ADDED NOTES 1, 2, REVISED DRAWING FORMAT TO CURRENT PREFERRED	MR	MR	LS

1. REMOVE PLASTIC SCUFF PLATE FROM LOWER FORWARD DOOR SILL. POSITION R22DA-212 PLATE AS SHOWN. (RIVET HOLES SHOULD CENTER ON DOOR SILL ANGLES) MATCH DRILL INDICATED HOLES FOR RIVETS.

2. ATTACH BRACKET USING INDICATED RIVETS REPOSITION PLASTIC SCUFF PLATE ABOVE BRACKET. (SCUFF PLATE MAY BE SHORTENED IF NECESSARY) MATCH DRILL 0.128 (#30) HOLES AND RIVET IN PLACE USING 1624-0411 RIVETS (TYP, 2 PLCS).

3. POSITION BRACKET ON DOOR AS SHOWN IN DETAIL B. FORWARD BRACKET SHOULD APPROXIMATELY CENTER ON VENT DOOR HINGE FLANGE ATTACHED TO THE DOOR. DRILL INDICATED HOLES IN DOOR TO TAPPED HOLES IN THE FORE AND AFT FLANGES OF THE BRACKET.

4. ATTACH R22DA-202 BRACKET USING INDICATED HARDWARE.

5. ATTACH ACTUATOR AS SHOWN. THE ACTUATOR ROD END SHOULD BE ATTACHED TO THE DOOR SILL BRACKET AND THE CYLINDER END SHOULD BE ATTACHED TO THE DOOR BRACKET. INSTALL CLIPS (ONE AT EACH ATTACH POINT). THE BALL STUD IN THE DOOR BRACKET MAY BE MOVED ALONG SLOT TO ADJUST DOOR OPENING.

6. REVISE AIRCRAFT WEIGHT AND BALANCE AND MAKE APPROPRIATE LOG BOOK ENTRY.

-1 INSTALLATION (LEFT SIDE)

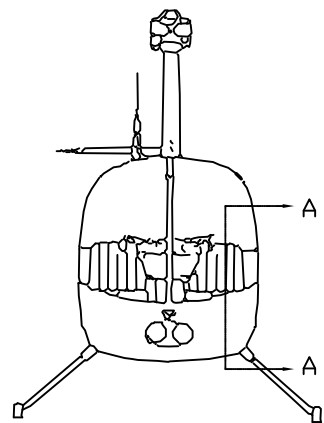
-2 INSTALLATION (RIGHT SIDE)

BREAK ALL SHARP EDGES

-CONFIDENTIAL INFORMATION-
 THE INFORMATION AND DATA CONTAINED HEREIN IS PROPRIETARY AND IS SUBMITTED IN CONFIDENCE; AND SHALL NOT BE DISCLOSED, USED OR DUPLICATED FOR ANY PURPOSE WHATSOEVER WITHOUT THE PRIOR WRITTEN PERMISSION OF PARAVION TECHNOLOGY, INC.

PROTO
N/C

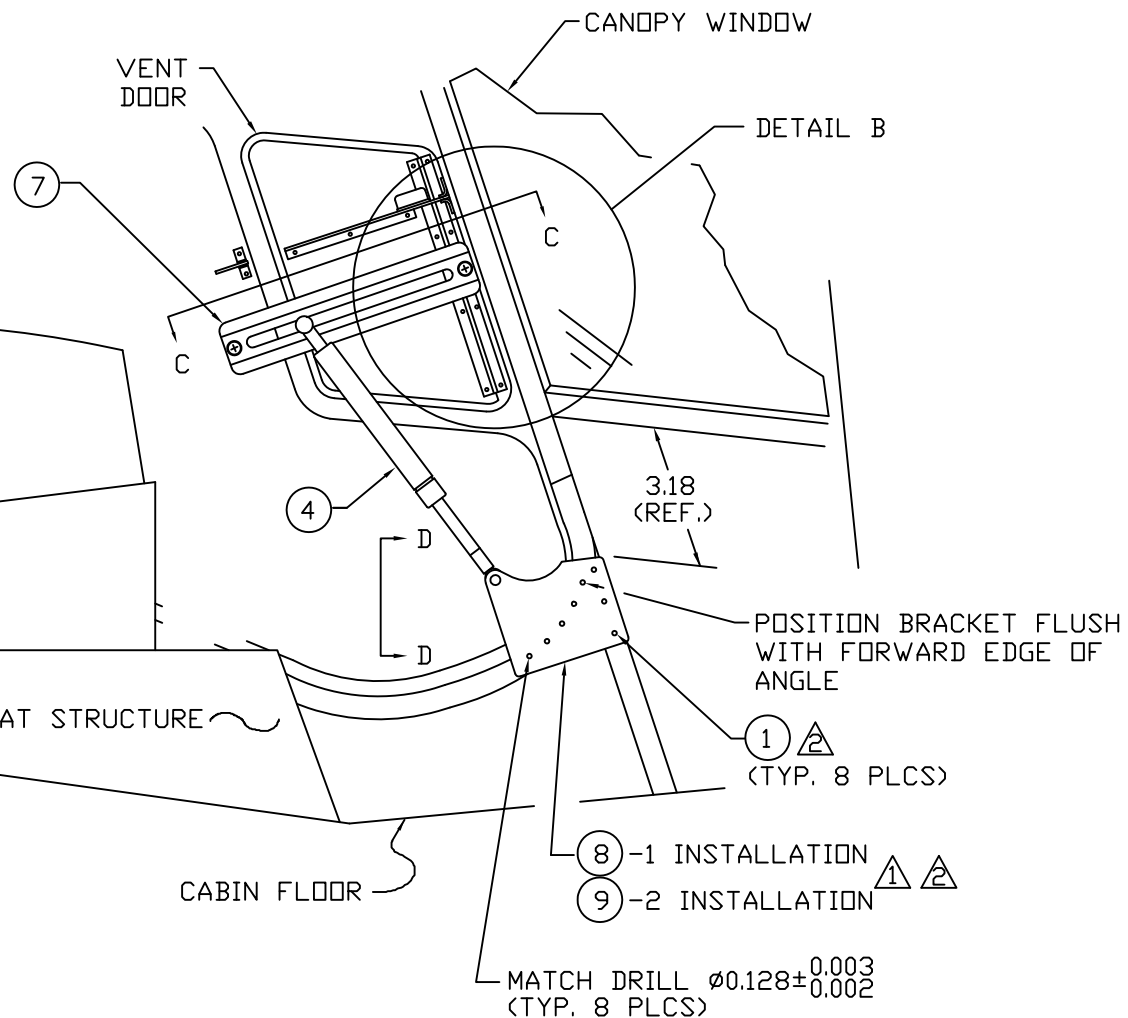
Paravion® Technology Inc.		TITLE DOOR ACTUATOR INSTALLATION		DRAWING NO. R22DA-101	
DIMENSIONS IN INCHES		DRAWN BY TMN	APRVD. BY REB	CHK'D BY REB	DATE 03/26/92
TOLERANCES EXCEPT WHERE NOTED:		REV A		ECO	
.X = ± .1 .XX = ± .05 .XXX = ± .010		DO NOT SCALE DRAWING		SHEET 1 OF 2	
ANGLES = ± 1°		© 2000 PARAVION TECH., INC. PARAVION IS A TRADEMARK OF PARAVION TECHNOLOGY, INC.			



FRONT VIEW

WEIGHT & BALANCE
(EACH DOOR INSTALLATION)

WT	ARM	MM
1.0	66	66



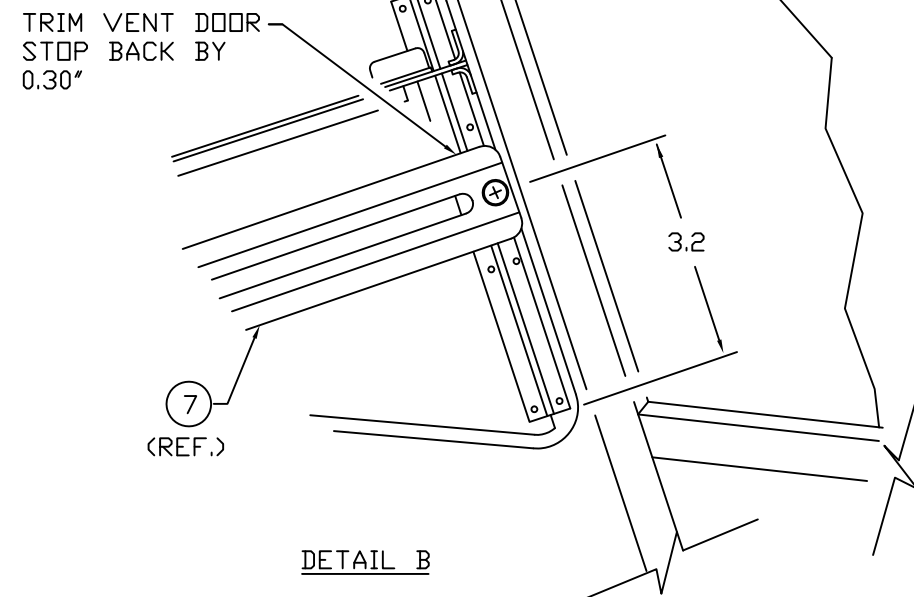
SECTION A-A

-1 INSTALLATION (LEFT SHOWN)

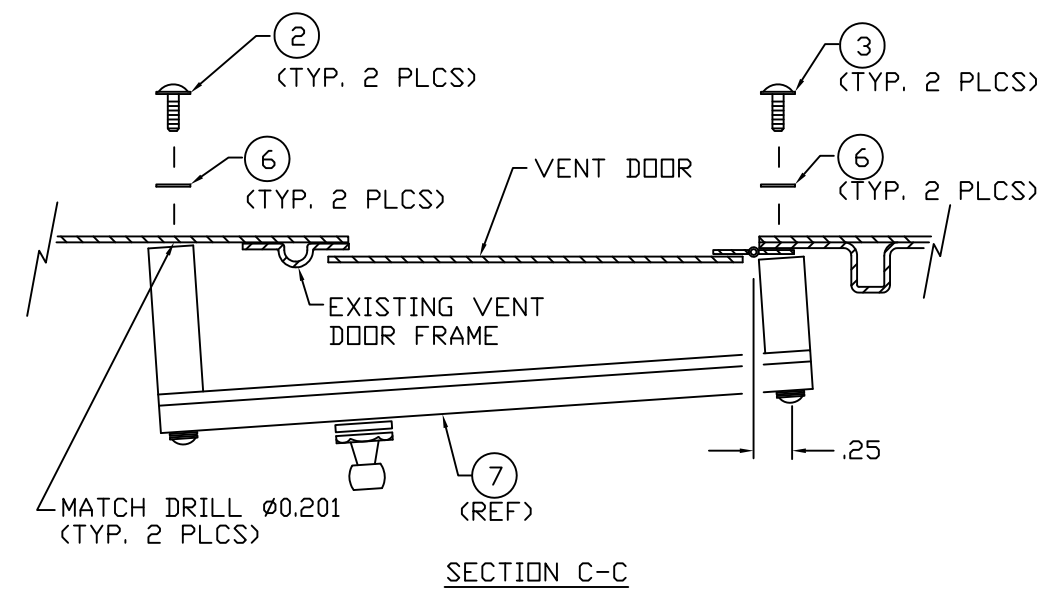
-2 INSTALLATION (RIGHT OPPOSITE)

-CONFIDENTIAL INFORMATION-
THE INFORMATION AND DATA CONTAINED HEREIN IS PROPRIETARY AND IS SUBMITTED IN CONFIDENCE; AND SHALL NOT BE DISCLOSED, USED OR DUPLICATED FOR ANY PURPOSE WHATSOEVER WITHOUT THE PRIOR WRITTEN PERMISSION OF PARAVION TECHNOLOGY, INC.

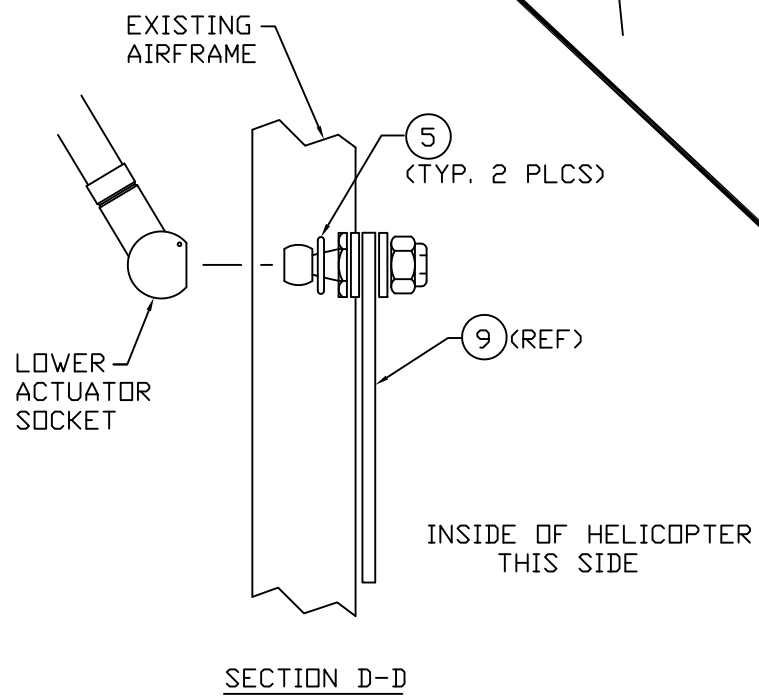
PROTO
N/C



DETAIL B



SECTION C-C



SECTION D-D

		TITLE DOOR ACTUATOR INSTALLATION		DRAWING NO. R22DA-101	
DIMENSIONS IN INCHES TOLERANCES EXCEPT WHERE NOTED: .X = ± .1 .XX = ± .05 .XXX = ± .010 ANGLES = ± 1°		DRAWN BY TMN	APRVD. BY REB	CHK'D BY REB	DATE 03/26/92
DO NOT SCALE DRAWING				REV A	ECO
© 2000 PARAVION TECH., INC. PARAVION IS A TRADEMARK OF PARAVION TECHNOLOGY, INC.				SHEET 2 OF 2	

Bill of Materials

*R22DA-101-1, REV. A

ITEM #	P/N	DESCRIPTION	QTY	TYP
0	*R22DA-101-1, REV. A	DOOR ACTUATOR INST'N	1	KIT
1	1624-0411	RIVET	8	EA
2	AN525-10R6	SCREW	2	EA
3	AN525-10R8	SCREW	2	EA
4	ES39200-6	ACTUATOR	1	EA
5	ES39202-1	CLIP	2	EA
6	MS35333-39	WASHER	4	EA
7	R22DA-202-1	BRACKET ASSY.	1	EA
8	R22DA-212-1	BRACKET ASSY.	1	EA

Bill of Materials

*R22DA-101-2, REV. A

ITEM #	P/N	DESCRIPTION	QTY	TYP
0	*R22DA-101-2, REV. A	DOOR ACTUATOR INST'N	1	KIT
1	1624-0411	RIVET	8	EA
2	AN525-10R6	SCREW	2	EA
3	AN525-10R8	SCREW	2	EA
4	ES39200-6	ACTUATOR	1	EA
5	ES39202-1	CLIP	2	EA
6	MS35333-39	WASHER	4	EA
7	R22DA-202-1	BRACKET ASSY.	1	EA
9	R22DA-212-2	BRACKET ASSY.	1	EA
