

PARAVION TECHNOLOGY, INC.  
2001 AIRWAY AVENUE  
FT. COLLINS, COLORADO 80524

**PNEUMATIC DOOR OPENER SYSTEM**

**ACTUATOR REPLACEMENT  
INSTRUCTIONS FOR CONTINUED AIRWORTHINESS  
SUPPLEMENT PROVIDED WITH REPLACEMENT ACTUATORS  
P/N ES39200-X / ES39205-X**

**1.0 GENERAL INFORMATION**

The Pneumatic Door Opener installation uses a pneumatic cylinder to open the door on which it is installed. The system is comprised of a cylinder with brackets attached to the door and door frame. A safety clip is installed on each of the pneumatic cylinder rod ends.

**2.0 MAINTENANCE PROCEDURES**

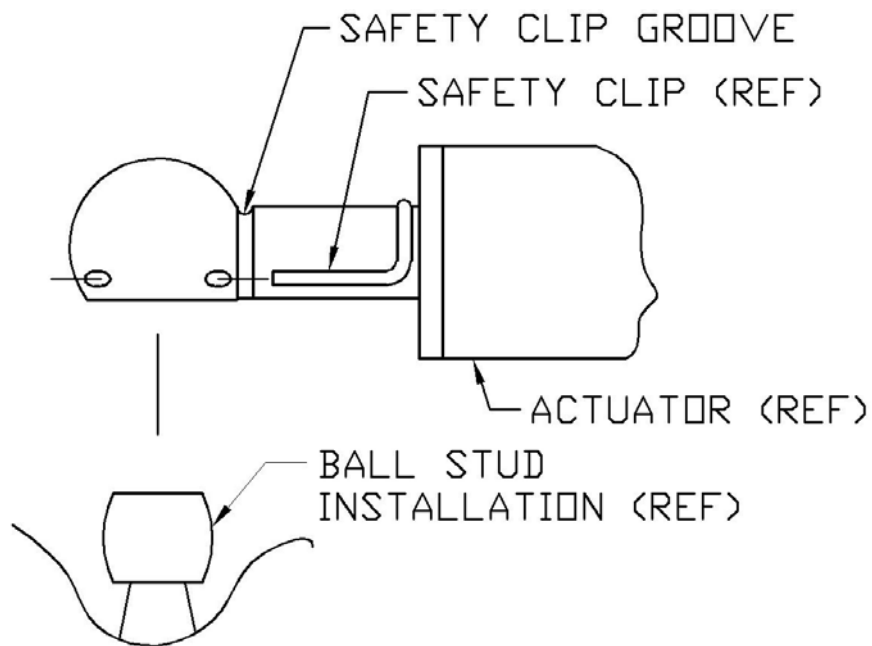
**TABLE 1  
PERIODIC INSPECTION**

ITEM/SYSTEM	PROCEDURE
SAFETY CLIPS	VERIFY INSTALLATION NOTE: ALTERNATE TO ES39202-1 IS AN381-1-14
PNEUMATIC CYLINDER	CHECK OPERATION.

\* Refer to STC holder's/aircraft manufacturer's data for bracket installation and maintenance instructions.

**TABLE 2  
TROUBLE-SHOOTING PROCEDURES**

PROBLEM	PROBABLE CAUSE	CORRECTIVE ACTION
PNEUMATIC CYLINDER DOES NOT OPEN DOOR	WORN CYLINDER	REPLACE



TYPICAL BOTH ENDS  
P/N ES39200-(X)/ES39205-(X)

# FIGURE 1

## PNEUMATIC DOOR OPENER ASSEMBLY, GENERAL

### PDO CYLINDER REMOVAL

1. Remove Safety Clips
2. Remove Cylinder from Ball Studs

### PDO CYLINDER INSTALLATION

1. Follow STC holder's instructions to locate cylinder.
2. Press cylinder rod ends over ball studs.
3. Insert safety clips through cylinder rod ends and snap into groves.