

NOTES:

1. -1 & -2 INSTALLATIONS ARE USED ONLY WITH THE ALUMINUM COWLING ON BELL MODELS 407, 206L-1, L-3 AND L-4.  
 -3 & -4 INSTALLATIONS ARE USED ONLY WITH THE CARBON FIBER COMPOSITE COWLING (407-064-004) ON BELL MODELS 407, 206L-1, L-3 AND L-4.

5. USE HYSOL EA9309NA ADHESIVE FOR DOUBLER ASSEMBLY AND RECEPTACLE INSTALLATIONS PER BELL HELICOPTER TEXTRON STANDARD PRACTICES MANUAL BHT-ALL-SPM CHAPTER 7.

6. ALL RIVETS TO BE INSTALLED PER BELL HELICOPTER STRUCTURAL REPAIR MANUAL BHT-ALL-SRM.

7. REMOVE EXISTING NUTPLATES PER BHT-ALL-SRM SECTION 3-2-22.

8. CONFORM WITH BHT TB 407-14-106 COWLING MODIFICATION, IF REQUIRED.

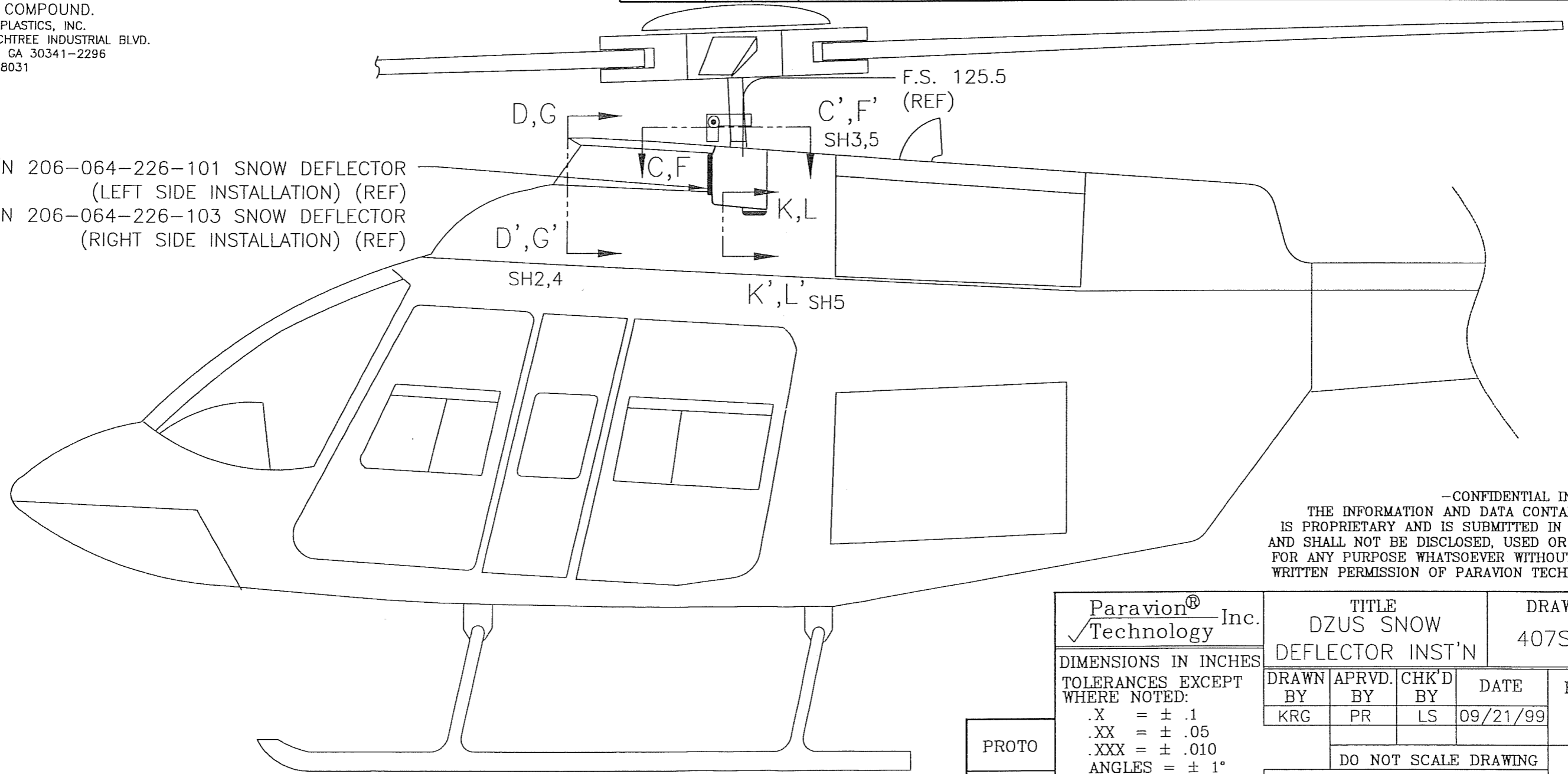
2. ALT. (17), (18), (19) & (25) MAY BE INSTALLED IF NEEDED TO ADJUST FOR COWLING VARIATION.

3. DOUBLER MAY BE MODIFIED AS NECESSARY TO ACCOMMODATE COWLING INTERNAL STRUCTURE, WHILE MAINTAINING A MINIMUM 2D EDGE DISTANCE ON ALL RIVET HOLES.

4. MAGNOLIA 6398 MAY BE USED AS FAIRING COMPOUND.  
 MAGNOLIA PLASTICS, INC.  
 5547 PEACHTREE INDUSTRIAL BLVD.  
 CHAMBLEE, GA 30341-2296  
 800-831-8031

| SHEET | REV | ECO | DATE       | DESCRIPTION                                                                                                                                                                                                                                                                                                                                                                                                                                                                                                                                                                                                | BY  | APR | CHK |
|-------|-----|-----|------------|------------------------------------------------------------------------------------------------------------------------------------------------------------------------------------------------------------------------------------------------------------------------------------------------------------------------------------------------------------------------------------------------------------------------------------------------------------------------------------------------------------------------------------------------------------------------------------------------------------|-----|-----|-----|
| 1,2   | A   |     | 10/08/99   | CHANGED RIVET & DZUS STUD LENGTHS.                                                                                                                                                                                                                                                                                                                                                                                                                                                                                                                                                                         | PR  | PR  | LS  |
| 1,2,3 | B   |     | 11/05/99   | ADDED SHEET 3 & ADDED 407SD-2500 DOUBLER ASSY.                                                                                                                                                                                                                                                                                                                                                                                                                                                                                                                                                             | PR  | PR  | LS  |
| 1,2,3 | C   |     | 02/26/01   | REPLACE TWO DZUS FASTENERS WITH NEW DZUS PARTS -2 INSTALLATION ONLY, 4 EA. NAS9302B-5-03 + 10 EA. NAS9302B-5-02 WAS 14 EA. NAS9302B-5-02. REMOVED 407SD-2500-2. ADDED 2 EA. ES34160-1,2 EA. ES34170-1, 2 EA. GH3                                                                                                                                                                                                                                                                                                                                                                                           | MR  | MR  | LS  |
| 1,2,3 | D   |     | 09/23/02   | -2 INST'N (4)EA. (16), (2)EA. (12) WAS (6)EA. (12)                                                                                                                                                                                                                                                                                                                                                                                                                                                                                                                                                         | REB | REB | LS  |
| 1,2   |     | 1   | 03/17/08   | ADDED NOTE (17) AND (18) FOR COWL VARIATION                                                                                                                                                                                                                                                                                                                                                                                                                                                                                                                                                                | REB | REB | LS  |
| 1-3   |     | 2   | 04/16/09   | DIVIDED DETAIL A INTO A1/A2/A3. MATCH DRILL NOTE ON DETAIL B WAS ON VIEW D-D'. -1 WAS ON SH3, VIEW D-D' WAS ON SH2. ITEM 15 WAS R3.5(CLASS B).                                                                                                                                                                                                                                                                                                                                                                                                                                                             | REB | REB | LS  |
| 1-3   |     | 3   | 11/30/09   | ADDED VIEW E-E', Ø0.250 REAM NOTE TO COWLING & NOTES 3/4.                                                                                                                                                                                                                                                                                                                                                                                                                                                                                                                                                  | REB | REB | LS  |
| 1     | E   |     | 02/12/2013 | ADDED 19 AS OPTIONAL FOR COWL VARIATION                                                                                                                                                                                                                                                                                                                                                                                                                                                                                                                                                                    | DGW | DGW | LS  |
| 1-5   | F   |     | 09/30/2013 | ADDED INSTL -3 & -4; ADDED PAGES 4 & 5; CHANGED NOTE 1, ADDED NOTES 5 & 6, MODIFIED DETAIL A3.                                                                                                                                                                                                                                                                                                                                                                                                                                                                                                             | JJT | DGW | LS  |
| 3-6   | G   |     | 01/10/2014 | CORRECTED VIEW CALLOUTS ON LOWER RIVETS OF -3 & -4 SH 4; CORRECTED LENGTH OF RIVETS IN VIEWS F-F', H-H', J-J', K-K' & L-L'; MOVED SECTION K-K' & L-L' CALLOUTS TO SH 1; MOVED SECTION K-K' & L-L' TO SH 6; ADDED NOTE 8; ADDED NOTE 7 CALLOUT, 4 PLS, ON SH 4; MODIFIED NOTE 7; REMOVED REDUNDANT NOTES TO REAM HOLES ON VIEW H-H' & J-J' ON SH 5; CORRECTED PART #'S IN NOTE 2 TO MATCH BOM; MODIFIED NOTE 1 TO REFLECT APPLICABILITY; CORRECTED DZUS STUD ITEM # FROM 25 TO 32, 2 PLS ON SH 4; ADDED VIEWS M-M' & N-N' ON SH 6; CORRECTED DETAIL A3 PART #'S TO MATCH BOM; CORRECTED DETAIL A2 PART #'S. | JJT |     | LS  |

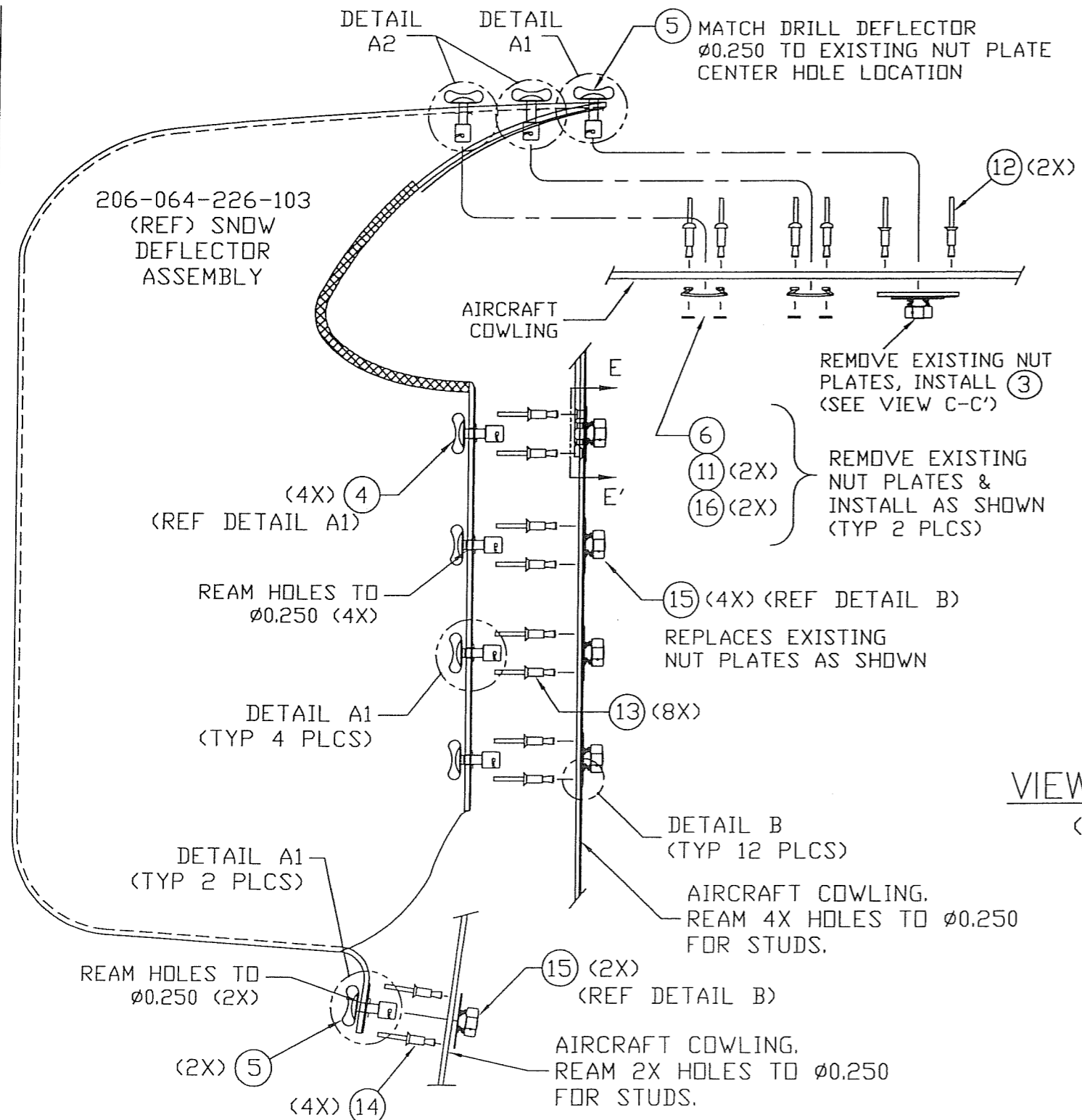
BELL P/N 206-064-226-101 SNOW DEFLECTOR (LEFT SIDE INSTALLATION) (REF)  
 BELL P/N 206-064-226-103 SNOW DEFLECTOR (RIGHT SIDE INSTALLATION) (REF)



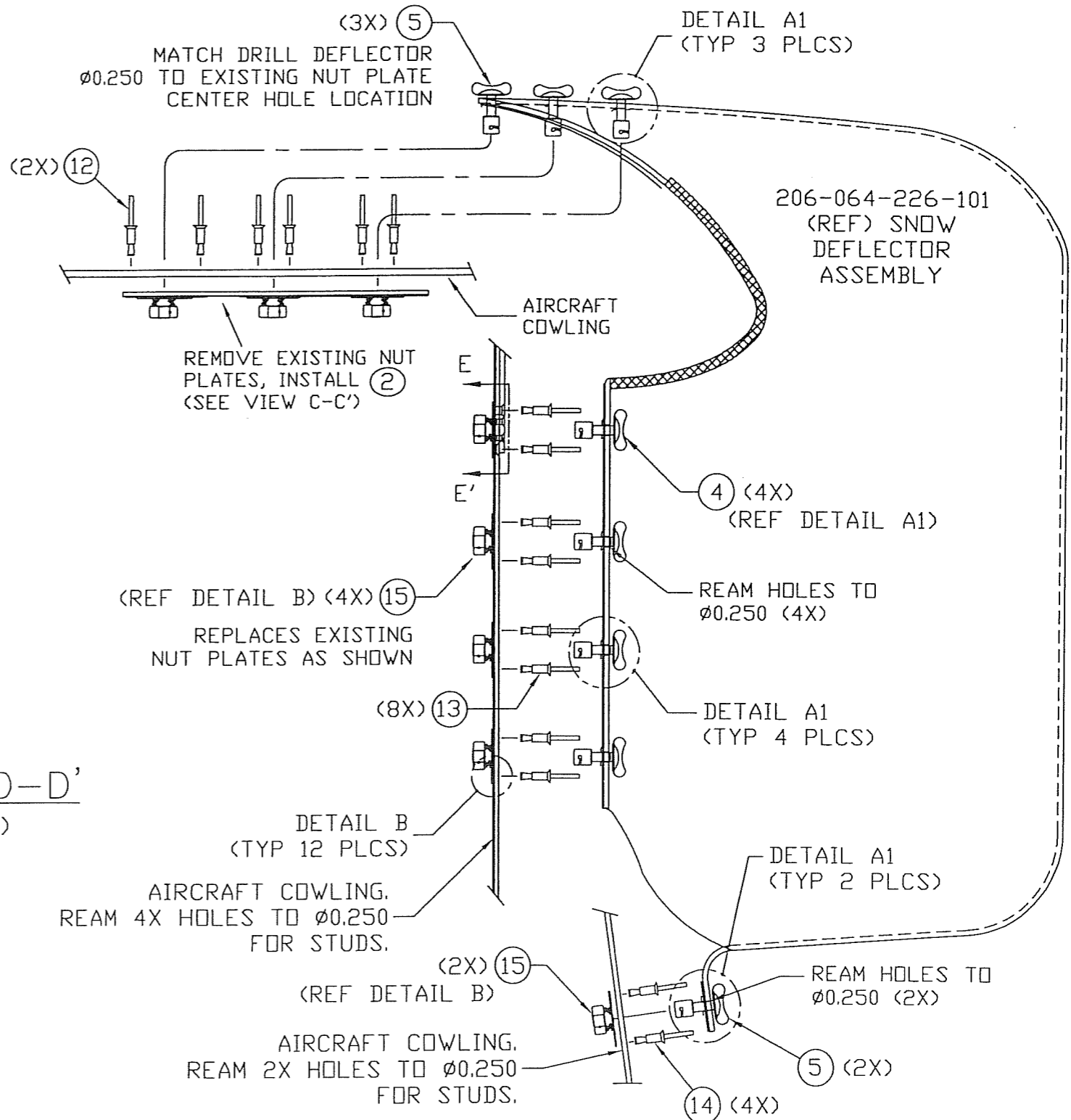
-CONFIDENTIAL INFORMATION-  
 THE INFORMATION AND DATA CONTAINED HEREIN IS PROPRIETARY AND IS SUBMITTED IN CONFIDENCE; AND SHALL NOT BE DISCLOSED, USED OR DUPLICATED FOR ANY PURPOSE WHATSOEVER WITHOUT THE PRIOR WRITTEN PERMISSION OF PARAVION TECHNOLOGY, INC.

|                                                                                                                                                                                                          |                                                                                     |                 |                          |                  |
|----------------------------------------------------------------------------------------------------------------------------------------------------------------------------------------------------------|-------------------------------------------------------------------------------------|-----------------|--------------------------|------------------|
| Paravion <sup>®</sup> Inc.<br>DIMENSIONS IN INCHES<br>TOLERANCES EXCEPT WHERE NOTED:<br>.X = ± .1<br>.XX = ± .05<br>.XXX = ± .010<br>ANGLES = ± 1°<br>THREADS:<br>INTERNAL=CLASS 2B<br>EXTERNAL=CLASS 2A | TITLE<br>DZUS SNOW DEFLECTOR INST'N                                                 |                 | DRAWING NO.<br>407SD-200 |                  |
|                                                                                                                                                                                                          | DRAWN BY<br>KRG                                                                     | APRVD. BY<br>PR | CHK'D BY<br>LS           | DATE<br>09/21/99 |
| DO NOT SCALE DRAWING                                                                                                                                                                                     | © 2009 PARAVION TECH., INC.<br>PARAVION IS A TRADEMARK OF PARAVION TECHNOLOGY, INC. |                 |                          | SHEET<br>1 OF 6  |

PROTO  
 N/C

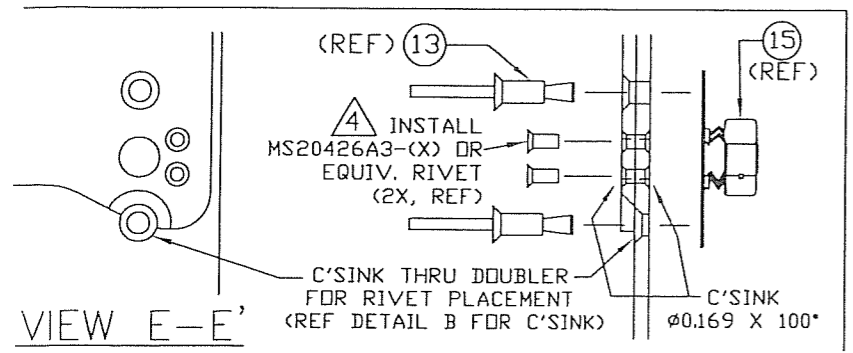


-2 SNOW DEFLECTOR INST'N  
(RIGHT SIDE)



-1 SNOW DEFLECTOR INST'N  
(LEFT SIDE)

VIEW D-D'  
(SH1)

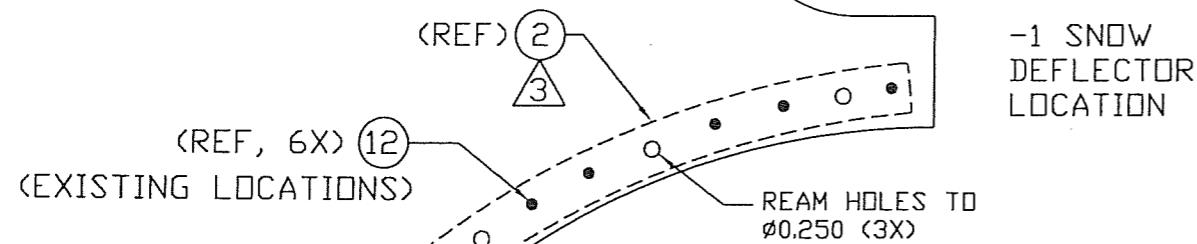


PROTO  
N/C

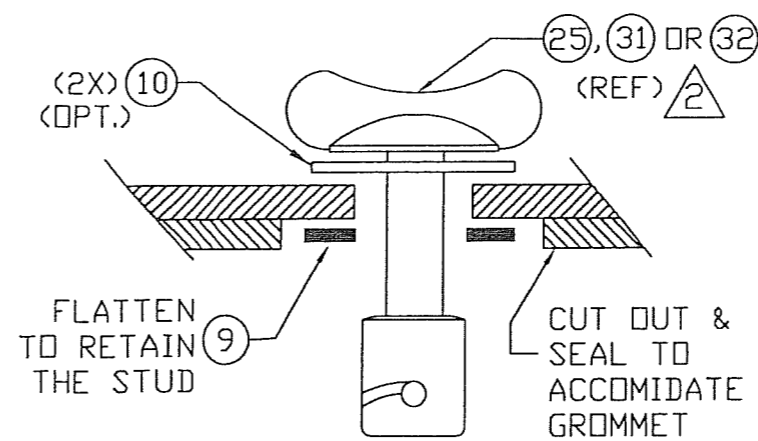
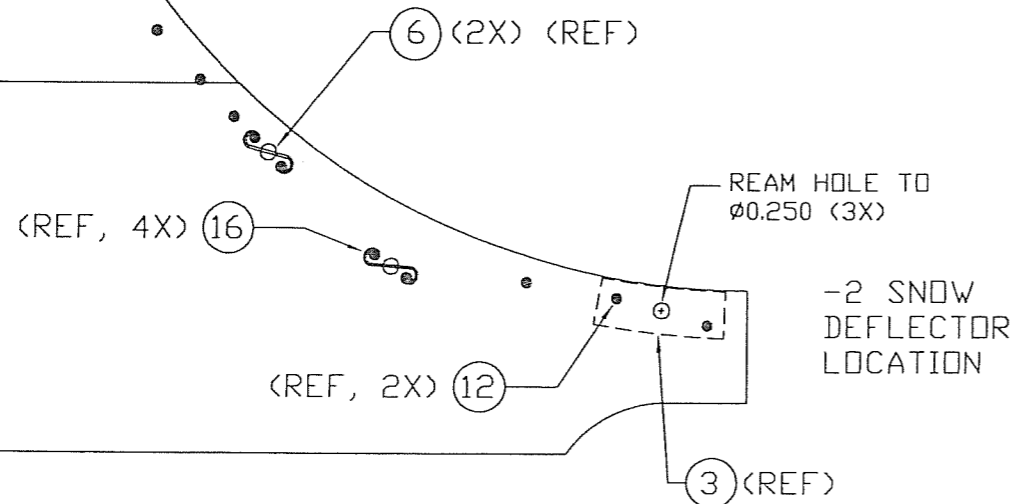
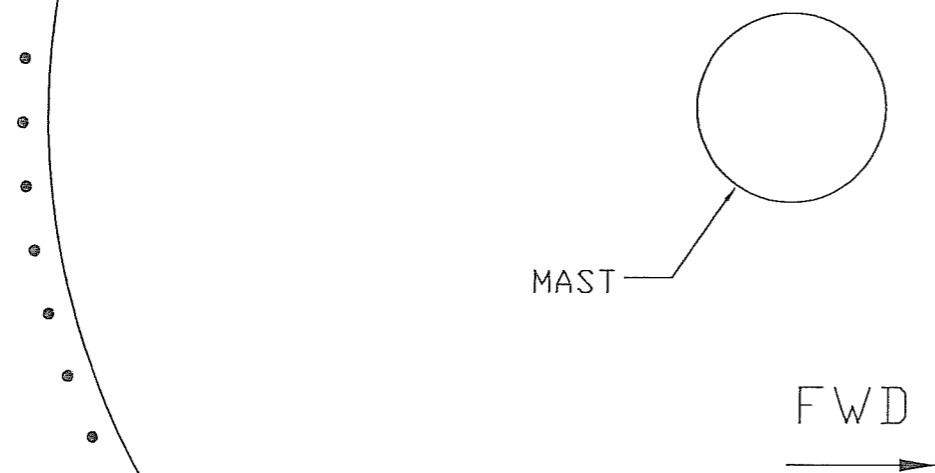
Paravion® Inc.  
Technology

DIMENSIONS IN INCHES  
TOLERANCES EXCEPT WHERE NOTED:  
.X = ± .1  
.XX = ± .05  
.XXX = ± .010  
ANGLES = ± 1°  
THREADS:  
INTERNAL=CLASS 2B  
EXTERNAL=CLASS 2A

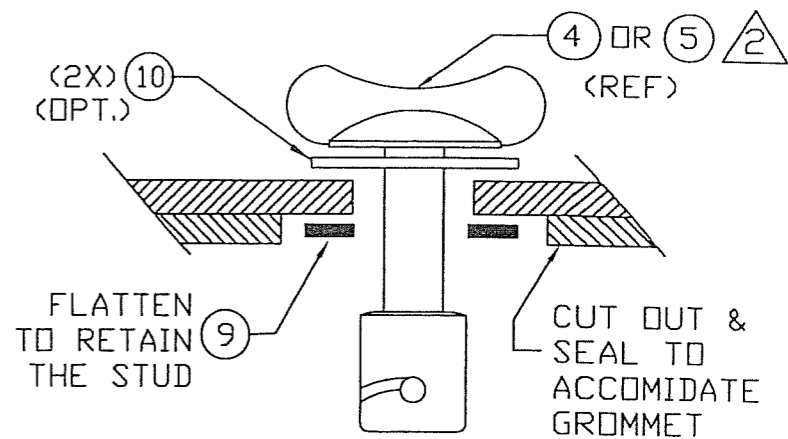
|                                     |                 |                                                                                        |                  |
|-------------------------------------|-----------------|----------------------------------------------------------------------------------------|------------------|
| TITLE<br>DZUS SNOW DEFLECTOR INST'N |                 | DRAWING NO.<br>407SD-200                                                               |                  |
| DRAWN BY<br>KRG                     | APRVD. BY<br>PR | CHK'D BY<br>LS                                                                         | DATE<br>09/21/99 |
| REV<br>G                            | ECO             | DO NOT SCALE DRAWING                                                                   |                  |
| SHEET<br>2 OF 6                     |                 | © 2009 PARAVION TECH., INC.<br>PARAVION IS A TRADEMARK OF<br>PARAVION TECHNOLOGY, INC. |                  |



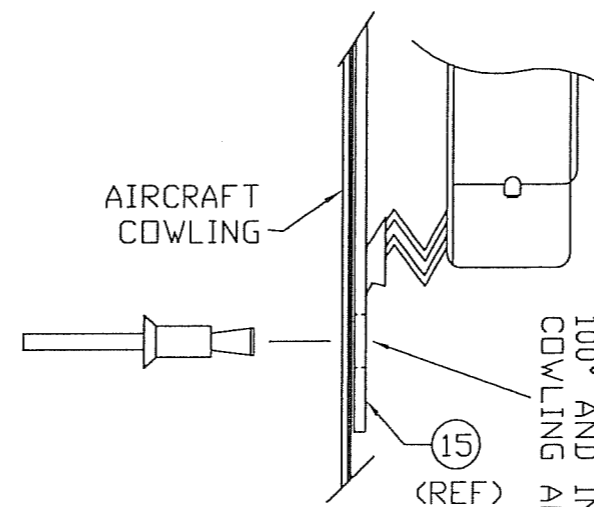
VIEW C-C' SH1  
 (VIEW SIMPLIFIED FOR CLARITY)



DETAIL A3  
 (ENLARGED FOR CLARITY)

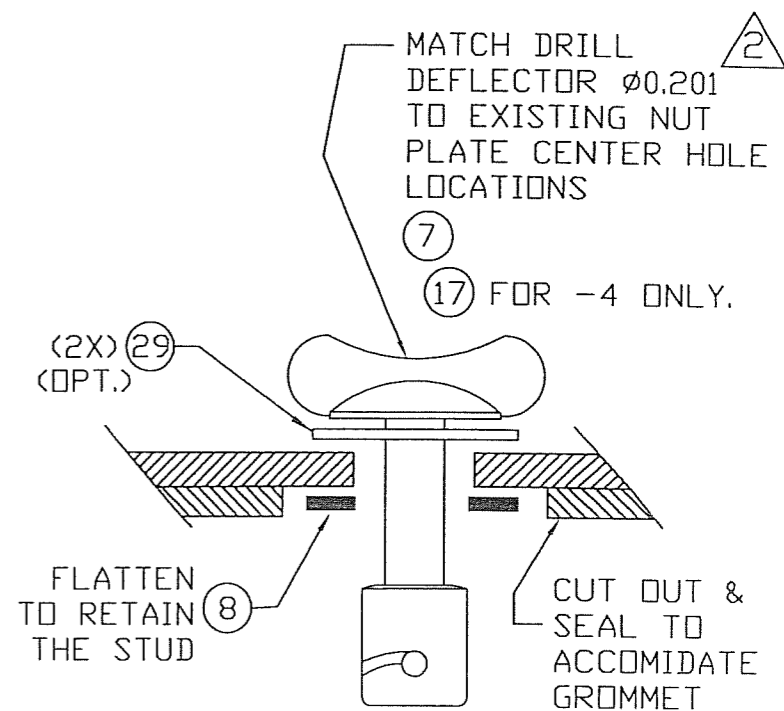


DETAIL A1  
 (ENLARGED FOR CLARITY)



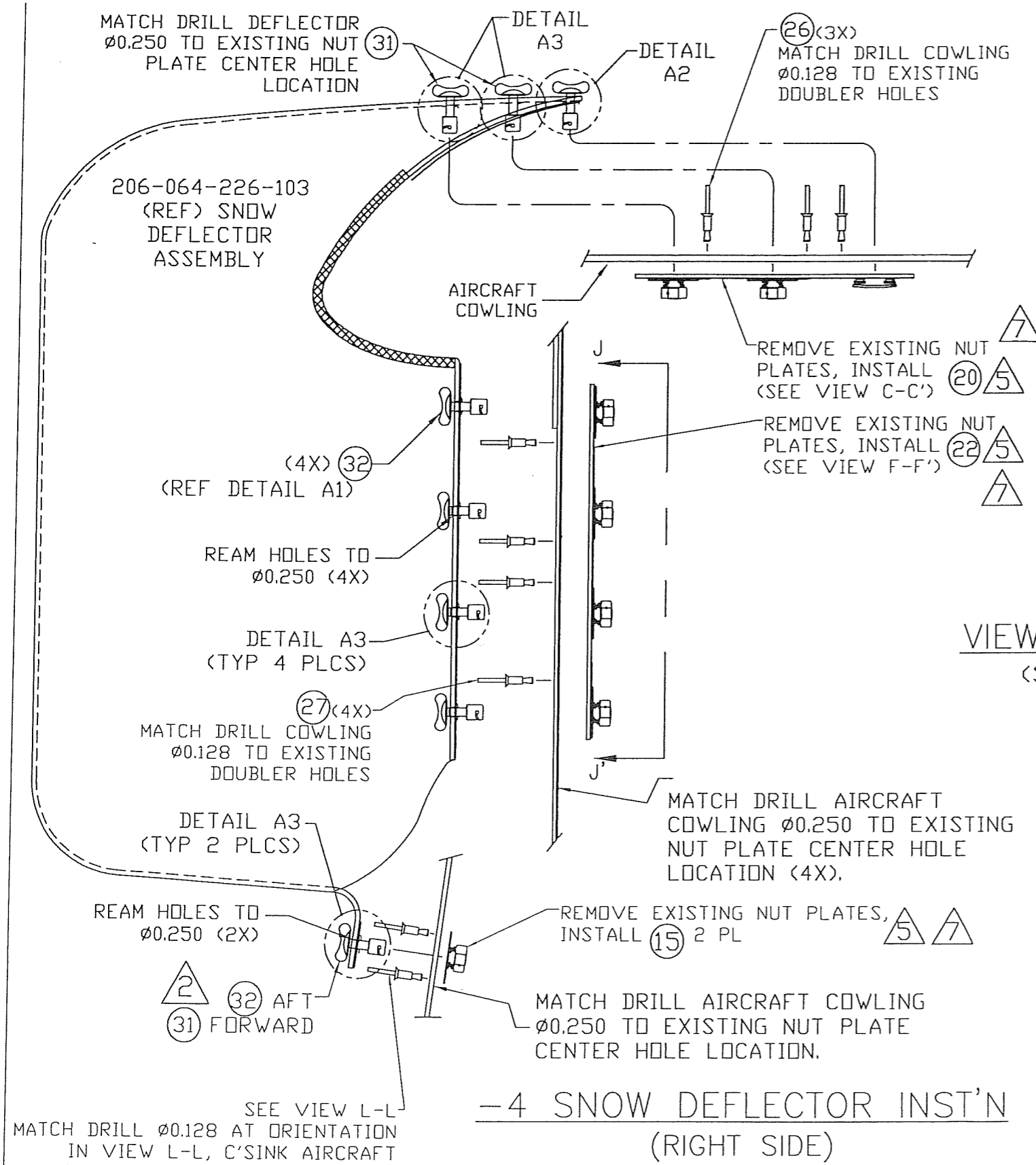
DETAIL B  
 (ENLARGED FOR CLARITY)

MATCH DRILL  $\varnothing 0.161$  CENTERED ON EXISTING DEFLECTOR HOLES, USE PROVIDED TEMPLATE (206SD-T-1000). C/SINK AIRCRAFT COWLING  $\varnothing 0.286$  X  $100^\circ$  AND INSTALL RIVETS THRU THE COWLING AND RECEPTACLE.

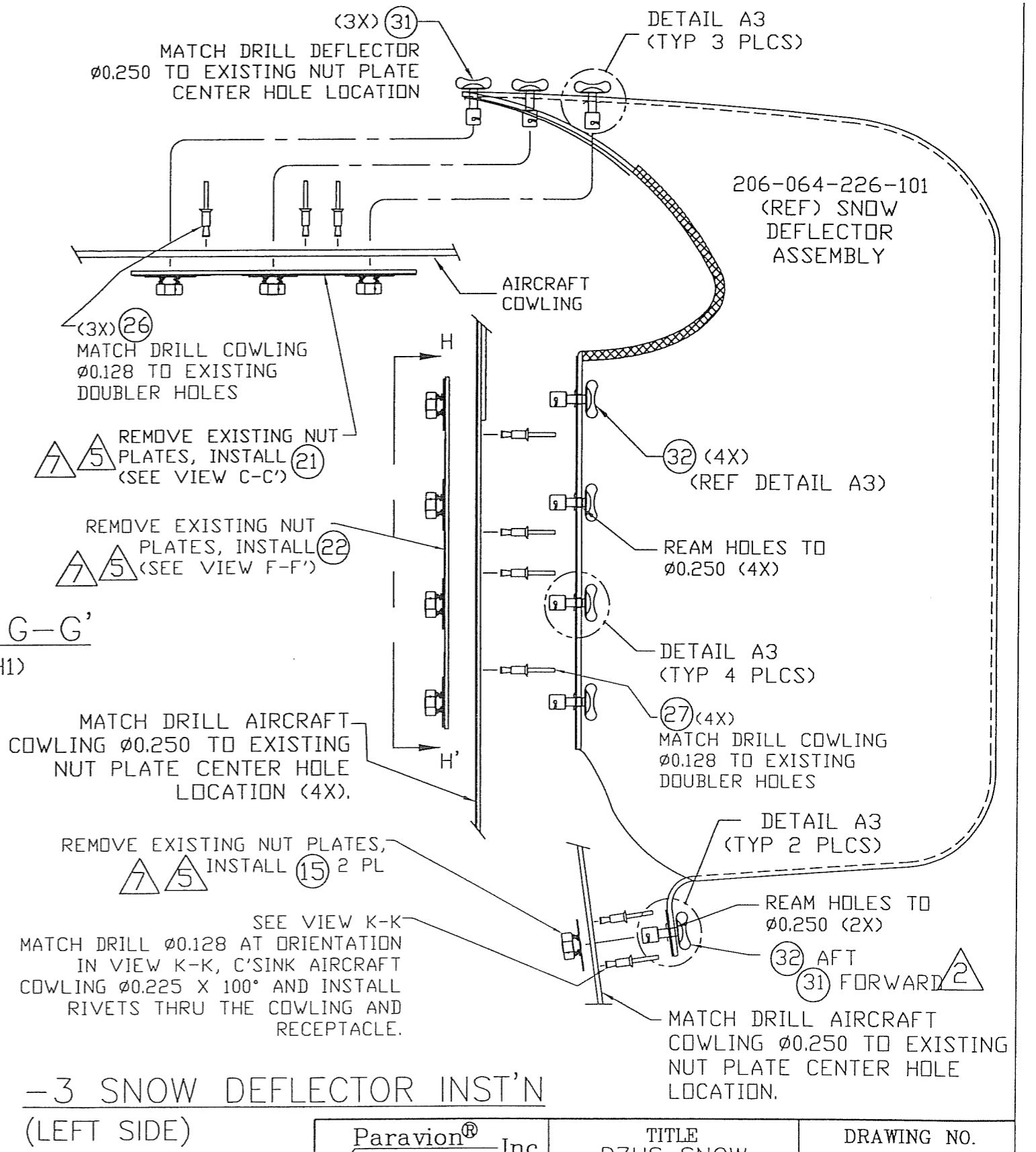


DETAIL A2  
 (ENLARGED FOR CLARITY)

|                                                                                                                                           |     |                                                                                        |                 |                          |                  |
|-------------------------------------------------------------------------------------------------------------------------------------------|-----|----------------------------------------------------------------------------------------|-----------------|--------------------------|------------------|
| Paravion <sup>®</sup> Inc.<br>Technology                                                                                                  |     | TITLE<br>DZUS SNOW DEFLECTOR INST'N                                                    |                 | DRAWING NO.<br>407SD-200 |                  |
| DIMENSIONS IN INCHES<br>TOLERANCES EXCEPT WHERE NOTED:<br>.X = $\pm .1$<br>.XX = $\pm .05$<br>.XXX = $\pm .010$<br>ANGLES = $\pm 1^\circ$ |     | DRAWN BY<br>KRG                                                                        | APRVD. BY<br>PR | CHK'D BY<br>LS           | DATE<br>11/05/99 |
| PROTO                                                                                                                                     | N/C | DO NOT SCALE DRAWING                                                                   |                 |                          | REV<br>G         |
| THREADS:<br>INTERNAL=CLASS 2B<br>EXTERNAL=CLASS 2A                                                                                        |     | © 2009 PARAVION TECH., INC.<br>PARAVION IS A TRADEMARK OF<br>PARAVION TECHNOLOGY, INC. |                 |                          | SHEET<br>3 OF 6  |



-4 SNOW DEFLECTOR INST'N  
(RIGHT SIDE)



-3 SNOW DEFLECTOR INST'N  
(LEFT SIDE)

VIEW G-G'  
(SH1)

SEE VIEW L-L  
MATCH DRILL Ø0.128 AT ORIENTATION  
IN VIEW L-L, C'SINK AIRCRAFT  
COWLING Ø0.225 X 100° AND INSTALL  
RIVETS THRU THE COWLING AND  
RECEPTACLE.

SEE VIEW K-K  
MATCH DRILL Ø0.128 AT ORIENTATION  
IN VIEW K-K, C'SINK AIRCRAFT  
COWLING Ø0.225 X 100° AND INSTALL  
RIVETS THRU THE COWLING AND  
RECEPTACLE.

PROTO  
N/C

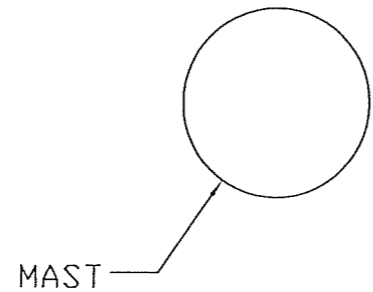
Paravion®  
Technology Inc.  
DIMENSIONS IN INCHES  
TOLERANCES EXCEPT  
WHERE NOTED:  
.X = ± .1  
.XX = ± .05  
.XXX = ± .010  
ANGLES = ± 1°  
THREADS:  
INTERNAL=CLASS 2B  
EXTERNAL=CLASS 2A

TITLE  
DZUS SNOW  
DEFLECTOR INST'N  
DRAWN BY KRG  
APRVD BY PR  
CHK'D BY LS  
DATE 09/21/99  
DO NOT SCALE DRAWING  
© 2009 PARAVION TECH., INC.  
PARAVION IS A TRADEMARK OF  
PARAVION TECHNOLOGY, INC.

DRAWING NO.  
407SD-200  
REV G  
ECO  
SHEET  
4 OF 6

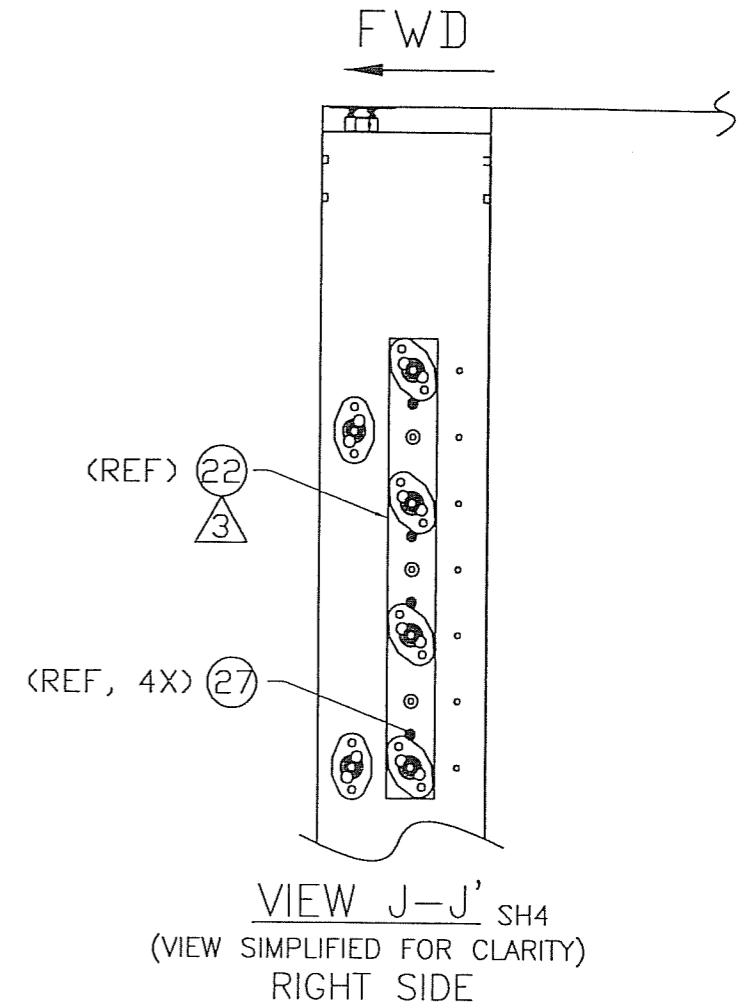
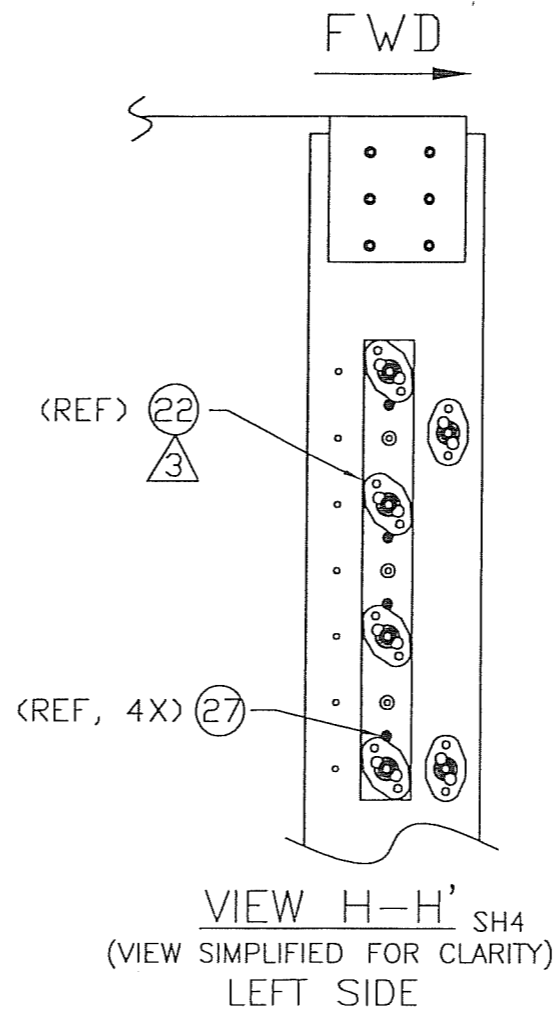
(REF) (21)  $\triangle$  3 -3 SNOW DEFLECTOR INSTALLATION  
 (REF, 3X) (26) MATCH DRILL AIRCRAFT COWLING  $\varnothing$ 0.250 TO EXISTING NUT PLATE CENTER HOLE LOCATION (3X).

VIEW F-F' SH1  
 (VIEW SIMPLIFIED FOR CLARITY)

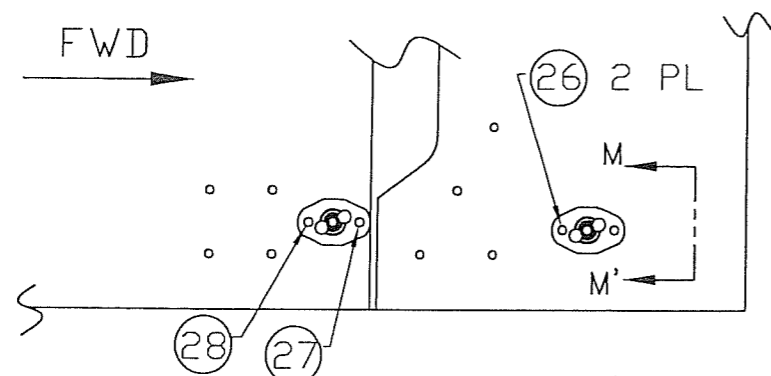


FWD  $\rightarrow$

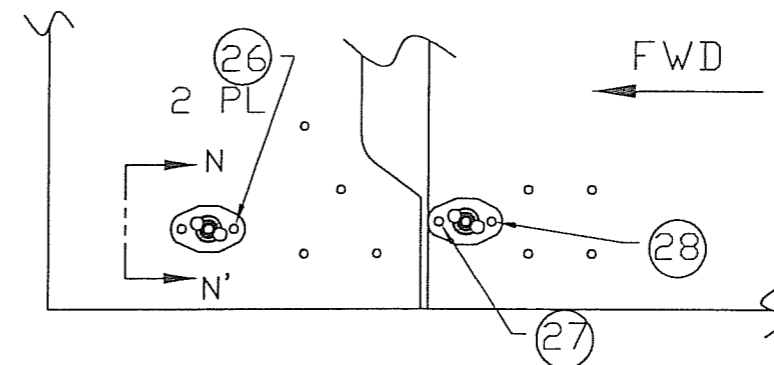
MATCH DRILL AIRCRAFT COWLING  $\varnothing$ 0.250 TO EXISTING NUT PLATE CENTER HOLE LOCATION (4X).  
 (REF, 3X) (26) -4 SNOW DEFLECTOR INSTALLATION  
 (20) (REF)  $\triangle$  3



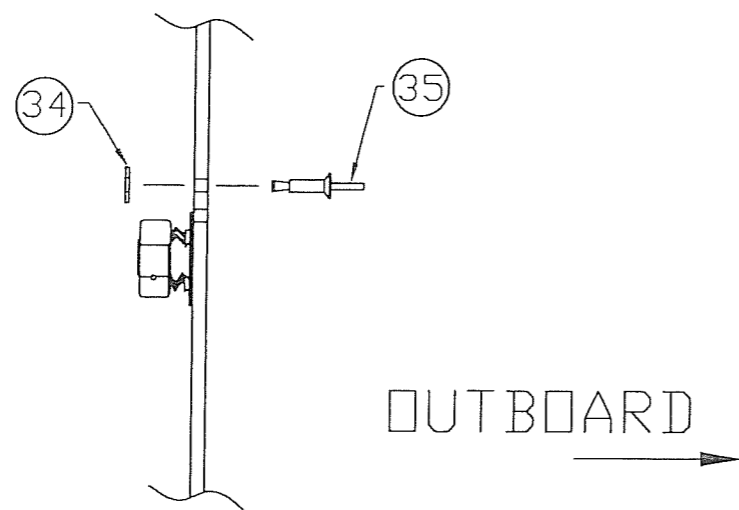
|                                                                                                                                                                                            |     |                                                                                     |                 |                |                          |                 |
|--------------------------------------------------------------------------------------------------------------------------------------------------------------------------------------------|-----|-------------------------------------------------------------------------------------|-----------------|----------------|--------------------------|-----------------|
| Paravion <sup>®</sup> Technology Inc.                                                                                                                                                      |     | TITLE<br>DZUS SNOW DEFLECTOR INST'N                                                 |                 |                | DRAWING NO.<br>407SD-200 |                 |
| DIMENSIONS IN INCHES<br>TOLERANCES EXCEPT WHERE NOTED:<br>.X = $\pm$ .1<br>.XX = $\pm$ .05<br>.XXX = $\pm$ .010<br>ANGLES = $\pm$ 1°<br>THREADS:<br>INTERNAL=CLASS 2B<br>EXTERNAL=CLASS 2A |     | DRAWN BY<br>KRG                                                                     | APRVD. BY<br>PR | CHK'D BY<br>LS | DATE<br>11/05/99         | REV<br>G        |
| PROTO                                                                                                                                                                                      | N/C | DO NOT SCALE DRAWING                                                                |                 |                |                          | SHEET<br>5 OF 6 |
|                                                                                                                                                                                            |     | © 2009 PARAVION TECH., INC.<br>PARAVION IS A TRADEMARK OF PARAVION TECHNOLOGY, INC. |                 |                |                          |                 |



VIEW K-K' SH4  
 (VIEW LOOKING OUTBOARD,  
 SIMPLIFIED FOR CLARITY)  
 LEFT SIDE



VIEW L-L' SH4  
 (VIEW LOOKING OUTBOARD,  
 SIMPLIFIED FOR CLARITY)  
 RIGHT SIDE



VIEW M-M' & VIEW N-N'

REPAIR EXISTING TOP RIVET HOLE WITH RIVET AND WASHER AS SHOWN ABOVE. REPAIR EXISTING BOTTOM RIVET HOLE PER BHT-ALL-SRM SECTION 4-5-3, EXCEPT REPAIR PLY ON INTERIOR OF COWLING NOT REQUIRED.

PROTO  
 N/C

|                                                                                                                                                                            |  |                                        |                 |                |                          |          |     |
|----------------------------------------------------------------------------------------------------------------------------------------------------------------------------|--|----------------------------------------|-----------------|----------------|--------------------------|----------|-----|
| Paravion®<br>Technology Inc.                                                                                                                                               |  | TITLE<br>DZUS SNOW<br>DEFLECTOR INST'N |                 |                | DRAWING NO.<br>407SD-200 |          |     |
| DIMENSIONS IN INCHES<br>TOLERANCES EXCEPT WHERE NOTED:<br>.X = ± .1<br>.XX = ± .05<br>.XXX = ± .010<br>ANGLES = ± 1°<br>THREADS:<br>INTERNAL=CLASS 2B<br>EXTERNAL=CLASS 2A |  | DRAWN BY<br>KRG                        | APRVD. BY<br>PR | CHK'D BY<br>LS | DATE<br>09/21/99         | REV<br>G | ECO |
| DO NOT SCALE DRAWING                                                                                                                                                       |  |                                        |                 |                | SHEET<br>6 OF 6          |          |     |
| © 2009 PARAVION TECH., INC.<br>PARAVION IS A TRADEMARK OF PARAVION TECHNOLOGY, INC.                                                                                        |  |                                        |                 |                |                          |          |     |

# Bill of Materials

\*407SD-200-1/-2, REV. G

| ITEM # | P/N                     | DESCRIPTION               | QTY | TYP |
|--------|-------------------------|---------------------------|-----|-----|
| 0      | *407SD-200-1/-2, REV. G | DZUS SNOW DEFLECTOR INSTN | 1   | KIT |
| 1      | 407SD-200-1             | DZUS SNOW DEFLECTOR INSTN | 1   | EA  |
| 2      | 407SD-200-2             | DZUS SNOW DEFLECTOR INSTN | 1   | EA  |

---

# Bill of Materials

\*407SD-200-1, REV. G

| ITEM # | P/N                  | DESCRIPTION                    | QTY | TYP |
|--------|----------------------|--------------------------------|-----|-----|
| 0      | *407SD-200-1, REV. G | DZUS SNOW DEFLECTOR INST'N     | 1   | KIT |
| 1      | 206SD-T1000-1        | DRILL TEMPLATE                 | 1   | EA  |
| 2      | 407SD-2500-1         | DOUBLER ASSEMBLY               | 1   | EA  |
| 4      | 2351-W20-30-Z3CT     | DZUS STUD (Alt: AW35T30)       | 5   | EA  |
| 5      | 2351-W20-33-Z3CT     | DZUS STUD (Alt: AW35T33)       | 7   | EA  |
| 9      | GH3.5                | HALF GROMMET                   | 10  | EA  |
| 10     | NAS1149F0432P        | WASHER                         | 18  | EA  |
| 12     | NAS9302B-4-03        | RIVET (Alt: CR3212-4-03)       | 7   | EA  |
| 13     | NAS9302B-5-02        | RIVET (Alt: CR3212PR-5-02)     | 10  | EA  |
| 14     | NAS9302B-5-03        | RIVET (Alt: CR3212PR-5-03)     | 4   | EA  |
| 15     | D4-R35               | RECEPTACLE (Alt: R35, CLASS B) | 6   | EA  |
| 19     | 2351-W20-36-Z3CT     | DZUS STUD (Alt: AW35T36)       | 6   | EA  |

---



# Bill of Materials

\*407SD-200-2, REV. G

| ITEM # | P/N                  | DESCRIPTION                    | QTY | TYP |
|--------|----------------------|--------------------------------|-----|-----|
| 0      | *407SD-200-2, REV. G | DZUS SNOW DEFLECTOR INST'N     | 1   | KIT |
| 3      | 407SD-2500-3         | DOUBLER ASSEMBLY               | 1   | EA  |
| 4      | 2351-W20-30-Z3CT     | DZUS STUD (Alt: AW35T30)       | 5   | EA  |
| 5      | 2351-W20-33-Z3CT     | DZUS STUD (Alt: AW35T33)       | 5   | EA  |
| 6      | ES34160-1            | RECEPTACLE, DZUS FASTENER      | 2   | EA  |
| 7      | ES34170-1            | DZUS STUD                      | 2   | EA  |
| 8      | GH3                  | HALF GROMMET                   | 2   | EA  |
| 9      | GH3.5                | HALF GROMMET                   | 8   | EA  |
| 10     | NAS1149F0432P        | WASHER                         | 18  | EA  |
| 11     | NAS1149FN232P        | WASHER                         | 4   | EA  |
| 12     | NAS9302B-4-03        | RIVET (Alt: CR3212-4-03)       | 2   | EA  |
| 13     | NAS9302B-5-02        | RIVET (Alt: CR3212PR-5-02)     | 10  | EA  |
| 14     | NAS9302B-5-03        | RIVET (Alt: CR3212PR-5-03)     | 4   | EA  |
| 15     | D4-R35               | RECEPTACLE (Alt: R35, CLASS B) | 6   | EA  |
| 16     | NAS1398C3-3          | RIVET (Alt: CR2663-3-03)       | 4   | EA  |
| 17     | ES34170-2            | DZUS STUD                      | 2   | EA  |
| 18     | ES34170-3            | DZUS STUD                      | 2   | EA  |
| 19     | 2351-W20-36-Z3CT     | DZUS STUD (Alt: AW35T36)       | 6   | EA  |
| 29     | NAS1149F0332P        | WASHER                         | 4   | EA  |

# Bill of Materials

\*407SD-200-3/-4, REV. G

| ITEM # | P/N                     | DESCRIPTION               | QTY | TYP |
|--------|-------------------------|---------------------------|-----|-----|
| 0      | *407SD-200-3/-4, REV. G | DZUS SNOW DEFLECTOR INSTN | 1   | KIT |
| 1      | *407SD-200-3            | DZUS SNOW DEFLECTOR INSTN | 1   | EA  |
| 2      | *407SD-200-4            | DZUS SNOW DEFLECTOR INSTN | 1   | EA  |

---

# Bill of Materials

\*407SD-200-3, REV. G

| ITEM # | P/N                  | DESCRIPTION                       | QTY | TYP |
|--------|----------------------|-----------------------------------|-----|-----|
| 0      | *407SD-200-3, REV. G | DZUS SNOW DEFLECTOR INST'N        | 1   | KIT |
| 9      | GH3.5                | HALF GROMMET                      | 9   | EA  |
| 10     | NAS1149F0432P        | WASHER                            | 18  | EA  |
| 15     | D4-R35               | RECEPTACLE (Alt: R35, CLASS B)    | 2   | EA  |
| 21     | 407SD-2500-5         | DOUBLER ASSY                      | 1   | EA  |
| 22     | 407SD-2500-6         | DOUBLER ASSY                      | 1   | EA  |
| 25     | 2351-W20-39-18S      | DZUS STUD (Alt: 2351-W20-39-Z3CT) | 2   | EA  |
| 26     | NAS9308M-4-02        | RIVET                             | 4   | EA  |
| 27     | NAS9308M-4-03        | RIVET                             | 7   | EA  |
| 28     | NAS9308M-4-04        | RIVET                             | 4   | EA  |
| 31     | 2351-W20-33-18S      | DZUS STUD (Alt: 2351-W20-33-Z3CT) | 4   | EA  |
| 32     | 2351-W20-36-18S      | DZUS STUD (Alt: 2351-W20-36-Z3CT) | 5   | EA  |
| 34     | NAS1149CN232R        | WASHER                            | 2   | EA  |
| 35     | NAS1399C3-2          | RIVET                             | 2   | EA  |

---

# Bill of Materials

\*407SD-200-4, REV. G

| ITEM # | P/N                  | DESCRIPTION                       | QTY | TYP |
|--------|----------------------|-----------------------------------|-----|-----|
| 0      | *407SD-200-4, REV. G | DZUS SNOW DEFLECTOR INST'N        | 1   | KIT |
| 8      | GH3                  | HALF GROMMET                      | 1   | EA  |
| 9      | GH3.5                | HALF GROMMET                      | 8   | EA  |
| 10     | NAS1149F0432P        | WASHER                            | 16  | EA  |
| 15     | D4-R35               | RECEPTACLE (Alt: R35, CLASS B)    | 2   | EA  |
| 17     | ES34170-2            | DZUS STUD                         | 1   | EA  |
| 20     | 407SD-2500-4         | DOUBLER ASSY                      | 1   | EA  |
| 22     | 407SD-2500-6         | DOUBLER ASSY                      | 1   | EA  |
| 25     | 2351-W20-39-18S      | DZUS STUD(Alt: 2351-W20-39-Z3CT)  | 2   | EA  |
| 26     | NAS9308M-4-02        | RIVET                             | 4   | EA  |
| 27     | NAS9308M-4-03        | RIVET                             | 7   | EA  |
| 28     | NAS9308M-4-04        | RIVET                             | 4   | EA  |
| 29     | NAS1149F0332P        | WASHER                            | 2   | EA  |
| 31     | 2351-W20-33-18S      | DZUS STUD (Alt: 2351-W20-33-Z3CT) | 3   | EA  |
| 32     | 2351-W20-36-18S      | DZUS STUD (Alt: 2351-W20-36-Z3CT) | 5   | EA  |
| 34     | NAS1149CN232R        | WASHER                            | 2   | EA  |
| 35     | NAS1399C3-2          | RIVET                             | 2   | EA  |

---