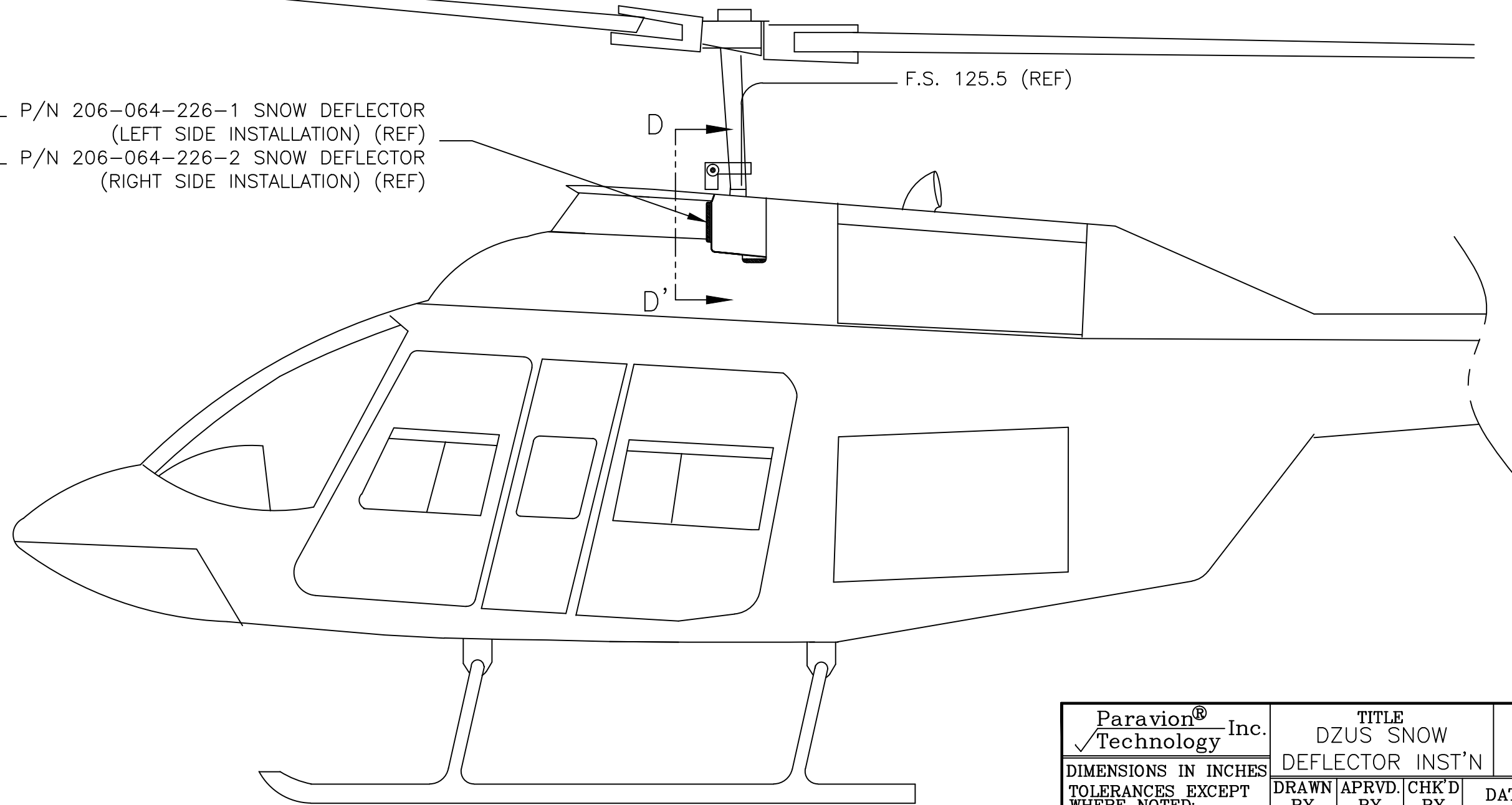


NOTES:

1. USED ON BELL MODEL 206L1/L3/L4 HELICOPTERS.

SHEET	REV	ECO	DATE	DESCRIPTION	BY	APR	CHK
1,2	A		10/08/99	CHANGED RIVET & DZUS STUD LENGTHS.		PR	LS
1,2	B		02/26/01	CHANGED LENGTH OF ONE DZUS STUD		MR	LS
1,2		1	04/16/09	LABELLED VIEW D-D', MATCH DRILL NOTE ON DETAIL B WAS ON VIEW D-D' FIG. ITEM 6 WAS GH35, ITEM 10 WAS R35(CLASS B). CRCT'N: ITEM 8 WAS LABELLED ITEM 10.		REB	LS
1,2		2	12/01/09	ADDED DETAIL C.	BNS	REB	LS
1,2		3	06/30/2011	REMOVED $\Delta$ , DETAIL C SHT 2; TYPO. ERROR	REB		

BELL P/N 206-064-226-1 SNOW DEFLECTOR  
(LEFT SIDE INSTALLATION) (REF)  
BELL P/N 206-064-226-2 SNOW DEFLECTOR  
(RIGHT SIDE INSTALLATION) (REF)



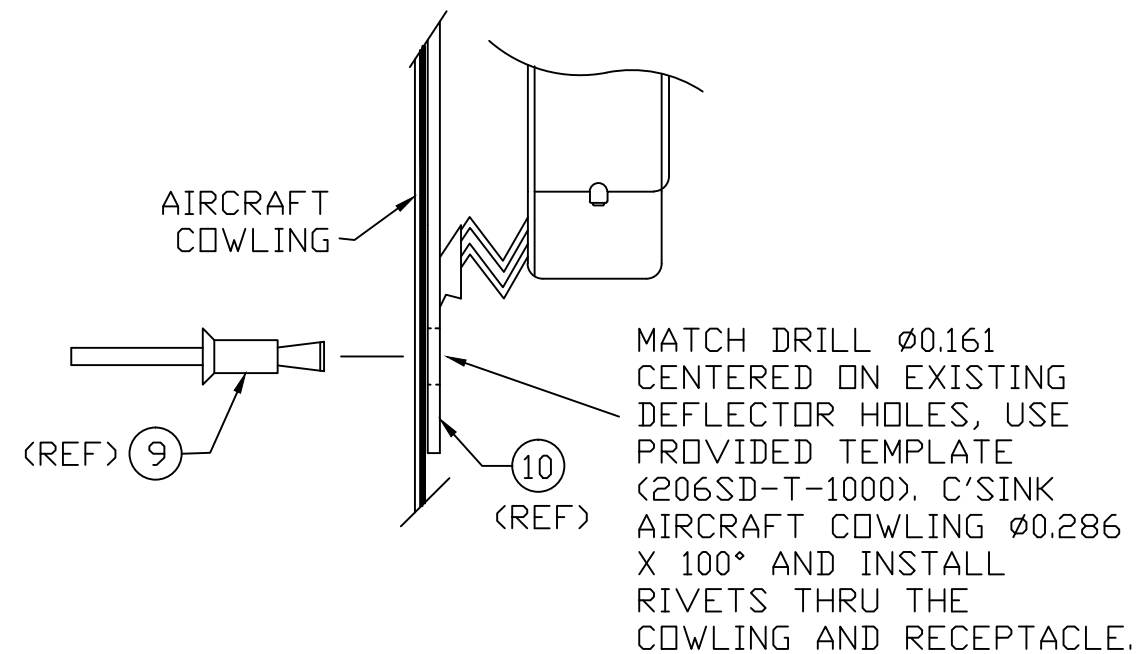
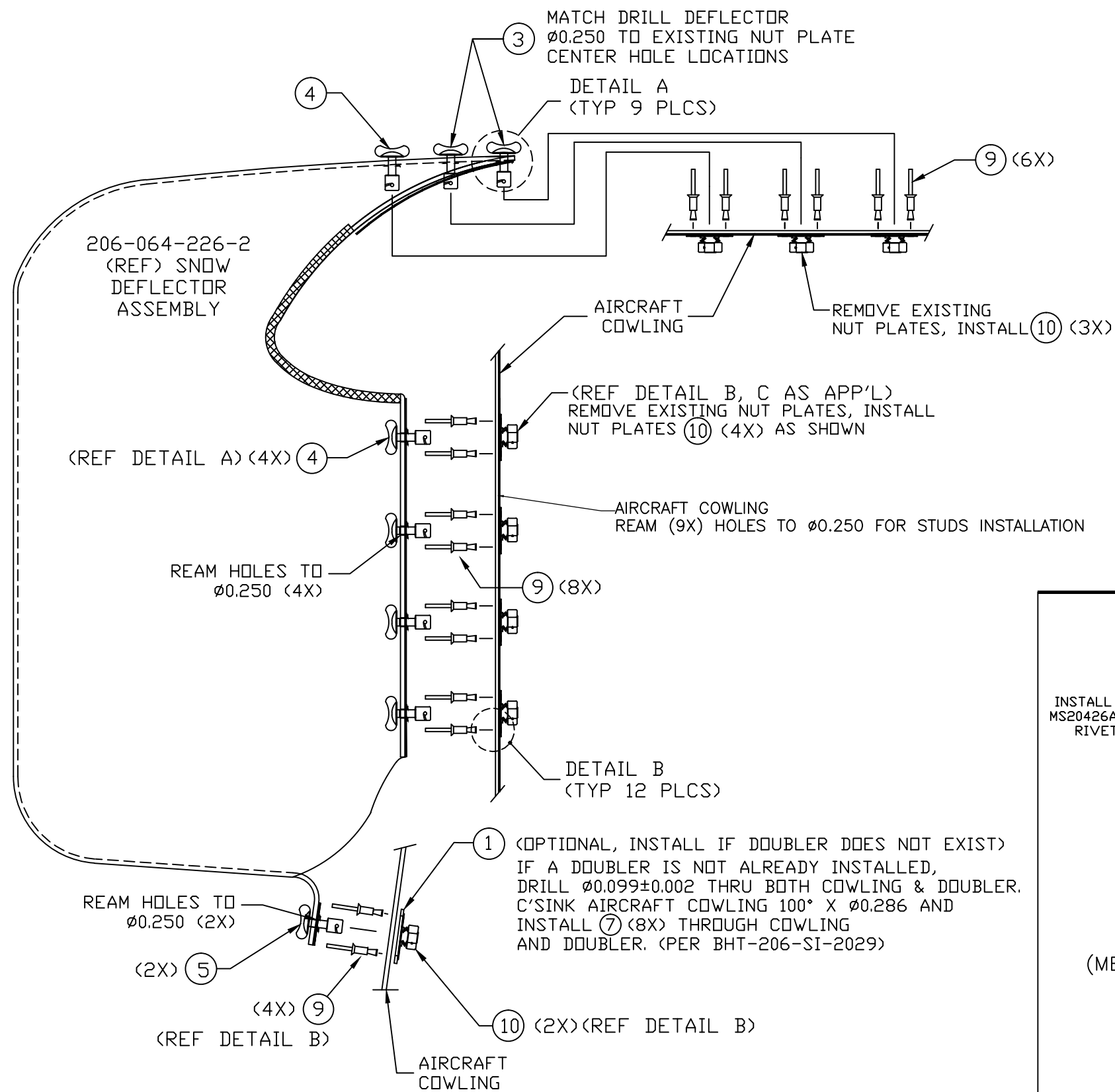
-CONFIDENTIAL INFORMATION-  
THE INFORMATION AND DATA CONTAINED HEREIN  
IS PROPRIETARY AND IS SUBMITTED IN CONFIDENCE;  
AND SHALL NOT BE DISCLOSED, USED OR DUPLICATED  
FOR ANY PURPOSE WHATSOEVER WITHOUT THE PRIOR  
WRITTEN PERMISSION OF PARAVION TECHNOLOGY, INC.

PROTO

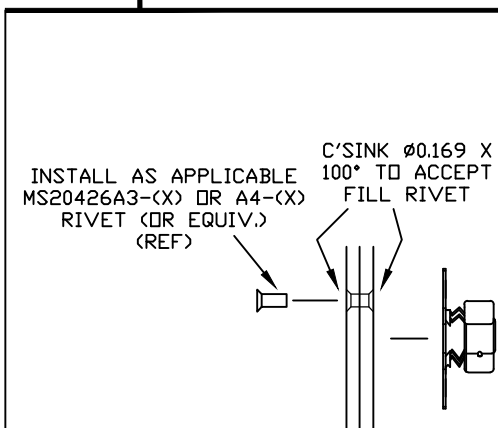
N/C

Paravion® Technology Inc.		TITLE DZUS SNOW DEFLECTOR INST'N		DRAWING NO. 206SD-200	
DIMENSIONS IN INCHES TOLERANCES EXCEPT WHERE NOTED:					
DRAWN BY		APRVD. BY		CHK'D BY	
KRG		PR		LS	
		DATE		REV	
		09/21/99		B	
		DO NOT SCALE DRAWING		SHEET	
		© 2009 PARAVION TECH., INC. PARAVION IS A TRADEMARK OF PARAVION TECHNOLOGY, INC.		1 OF 2	

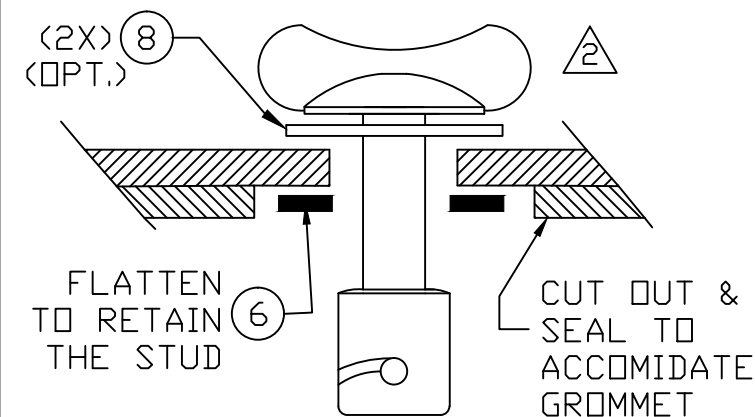
.X = ± .1  
.XX = ± .05  
.XXX = ± .010  
ANGLES = ± 1°  
THREADS:  
INTERNAL=CLASS 2B  
EXTERNAL=CLASS 2A



DETAIL B  
(ENLARGED FOR CLARITY)



DETAIL C  
(METHOD TO FILL UNUSED EXISTING HOLES)



DETAIL A  
(ENLARGED FOR CLARITY)

VIEW D-D'  
-2 SNOW DEFLECTOR INST'N (SHOWN)  
(-1 INSTALLATION OPPOSITE)

<b>Paravion® Technology Inc.</b>	TITLE				DRAWING NO.	
	DZUS SNOW DEFLECTOR INST'N				206SD-200	
DIMENSIONS IN INCHES						
TOLERANCES EXCEPT WHERE NOTED:						
.X = ± .1						
.XX = ± .05						
.XXX = ± .010						
ANGLES = ± 1°						
THREADS:						
INTERNAL=CLASS 2B						
EXTERNAL=CLASS 2A						
PROTO	BY	APRVD.	CHK'D	DATE	REV	ECO
N/C	KRG	PR	LS	09/21/99	B	3
DO NOT SCALE DRAWING					SHEET	
© 2009 PARAVION TECH., INC. PARAVION IS A TRADEMARK OF PARAVION TECHNOLOGY, INC.					2 OF 2	